

PARTS LIST INDEX

ROW UNIT

15" Seed Opener Disc Blade/Bearing Assembly And Scrapers	P5
Coulter Mounted Residue Wheels	P28
Covering Discs/Single Press Wheel	P8
Drag Closing Attachment	P11
Frame Mounted Coulter W/Residue Wheels	P30
Gauge Wheels	P6
Granular Chemical Banding Options	P19
Granular Chemical Hopper And Hopper Panel Extension	P16
Granular Chemical Meter And Meter Drive	P18
Hopper Support And Meter Drive	P12
Parallel Arms, Mounting Support Plate And Quick Adjustable Down Force Springs	P4
Row Unit Mounted Bed Leveler	P22
Row Unit Mounted Disc Furrower	P24
Row Unit Mounted No Till Coulter	P21
Row Unit Mounted Residue Wheel	P26
Seed Hopper And Lid	P13
Seed Meter	P14
Shank Assembly, Seed Tube And Depth Adjustment	P2
Spring Tooth Incorporator	P20
"V" Closing Wheels	P10

EDGEVAC® SYSTEM

Digital Vacuum Gauge, Analog Vacuum Gauge And Vacuum Fan Assembly	P32
Optional Flow Control Needle Valve Components	P36
Vacuum Fan Hydraulic Components	P34
Vacuum Fan Hydraulic Motor Assembly	P36
Vacuum Fan Motor Valve Block Assembly (Located Below Vacuum Fan Motor Assembly)	P37
Vacuum Fan Mounting Brackets And Distribution Hoses	P38

BASE MACHINE

Contact Wheel And Arm Assembly	P48
Cylinders	P65
Electrical Components	P72
Frame/Manifold Assembly	P42
Hitch	P40
Hydraulic System	P70
Hydraulic Wing Fold	P44
Hydraulic Wing Fold Selector Valve	P69
Point Row Clutch	P50
Point Row Clutch Electrical Components	P52
Row Marker Assemblies	P62
Row Marker Sequencing/Flow Control Valve	P68
Row Marker Spindle/Hub/Blade	P64
Safety Chain	P40
Seed Rate Transmission Assembly And Driveline	P60
Transport And Ground Drive Wheel Assembly	P46
Two-Speed Point Row Clutch	P54
Two-Speed Point Row Clutch Drive	P58
Two-Speed Point Row Clutch Electrical Components	P56

ELECTRONIC SEED MONITOR

KPM I Electronic Seed Monitor	P74
KPM II Stack-Mode Electronic Seed Monitor	P76
KPM III Electronic Seed Monitor	P78

FERTILIZER

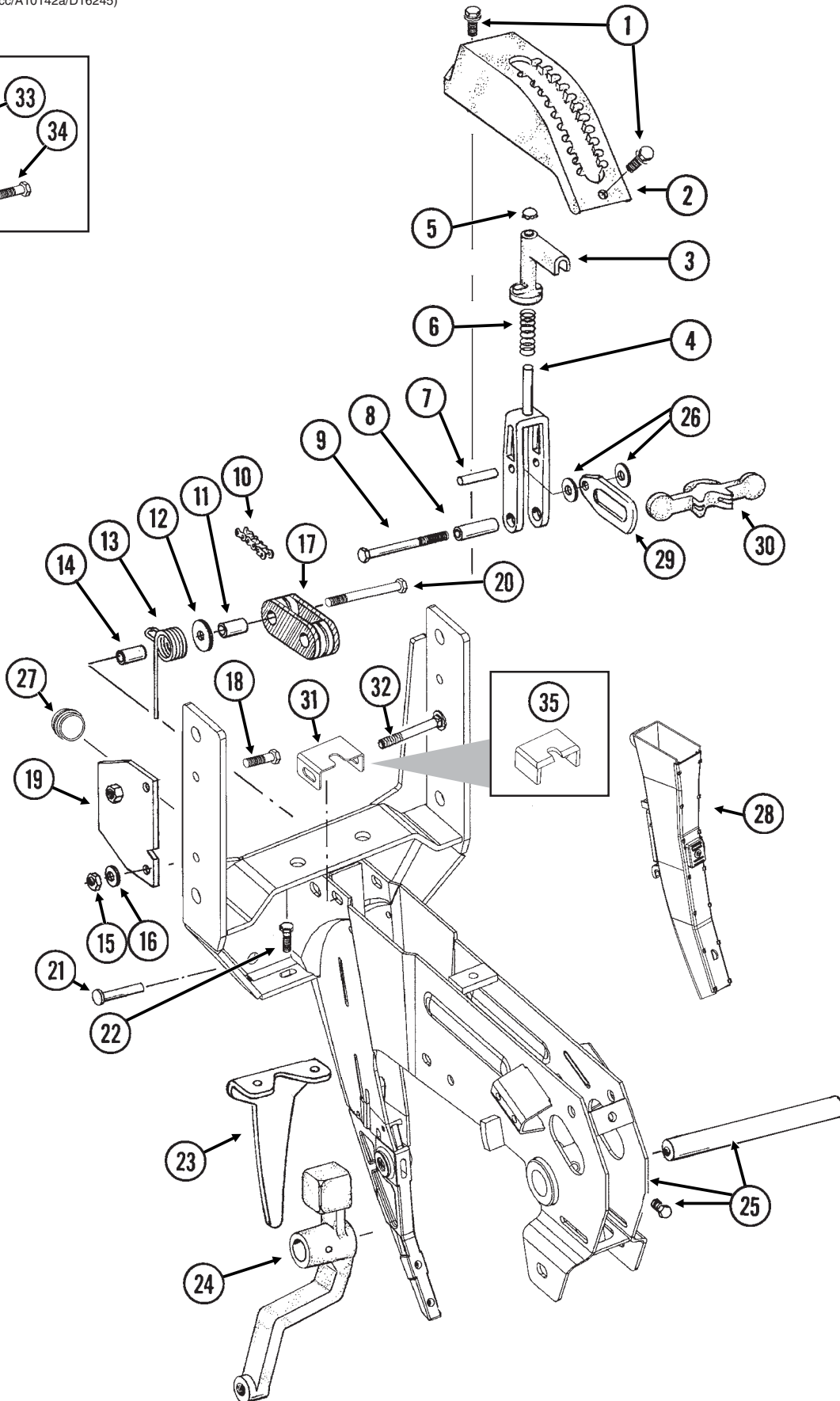
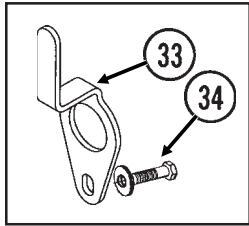
Fertilizer Openers, Mounts And Attachments	P80
Liquid Fertilizer	P86

Decals, Paint And Miscellaneous	P100
---------------------------------------	------

Numerical Index	P103
-----------------------	------

SHANK ASSEMBLY, SEED TUBE AND DEPTH ADJUSTMENT

(D17014/METR29cc/A10142a/D16245)

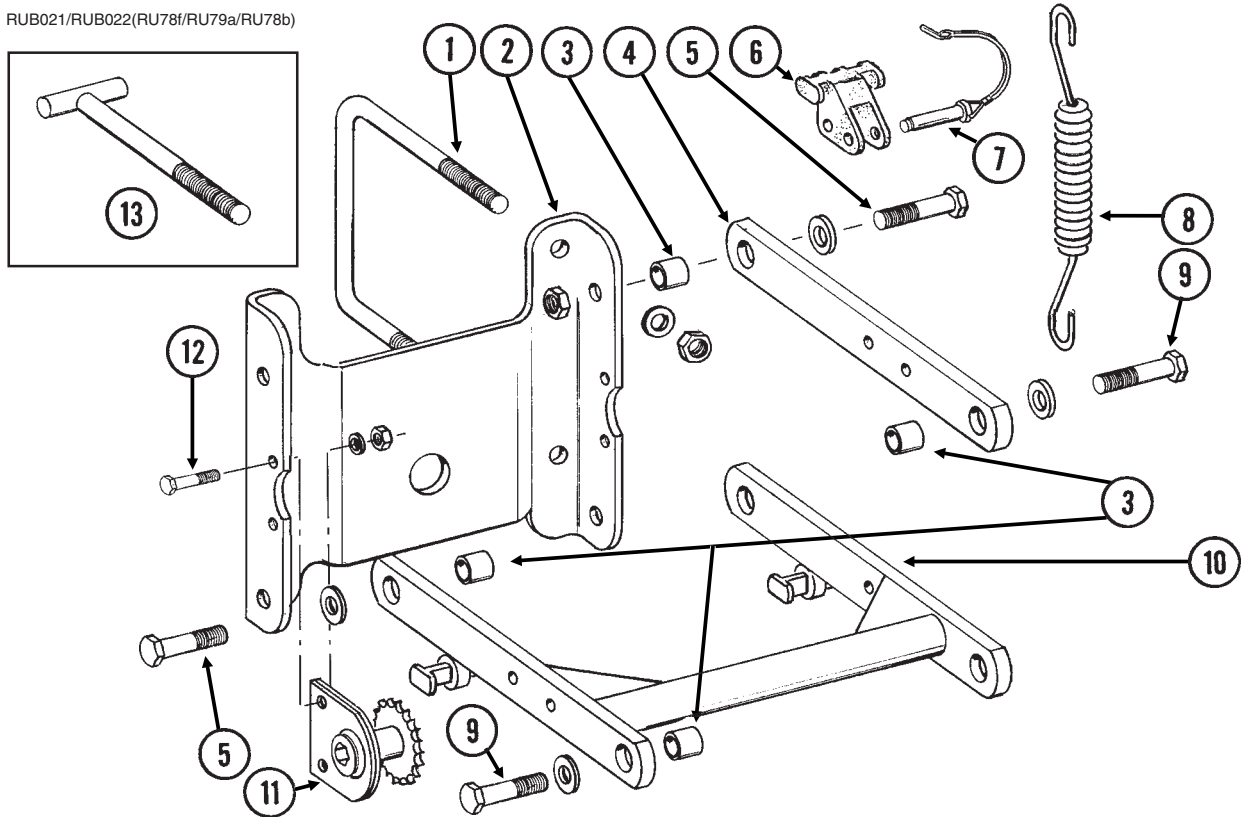


SHANK ASSEMBLY, SEED TUBE AND DEPTH ADJUSTMENT

ITEM	PART NO.	QTY. (Per Row)	DESCRIPTION
1.	G11015	2	Hex Washer Head Cap Screw, 3/8"-16 x 1 1/4"
2.	GB0274	1	Cover, Depth Adjustment
3.	GB0266	1	Handle, Depth Adjustment
4.	GB0267	1	Lever, Depth Adjustment
5.	GD3612	1	Cap Plug
6.	GD10993	1	Spring
7.	GD13361	1	Pin, 3/8" x 1 2/3"
8.	GD11259	1	Sleeve, 3/8" I.D. x 5/8" O.D. x 1 25/32" Long
9.	G11008	1	Hex Head Cap Screw, 3/8"-24 x 2 1/2", Grade 8
	G11007	1	Lock Nut, 3/8"-24, Grade C
10.	G3303-108	1	Chain, No. 41, 108 Pitch Including Connector Link
	G3303-16	1	Chain, No. 41, 16 Pitch Including Connector Link (Used W/Row Unit Extension Brackets)
	GR0196	1	Connector Link, No. 41
11.	GD1026	1	Sleeve, 1 3/16" Long
12.	G10201	1	Special Washer, 3/8" x 1 1/2" O.D.
13.	GD1065	1	Idler Spring
14.	GD7318	1	Sleeve, 1" Long
15.	G10108	1	Lock Nut, 3/8"-16
16.	G10210	1	Washer, 3/8" USS
17.	GD11962	1	Idler
18.	G10003	3	Hex Head Cap Screw, 3/8"-16 x 1 1/2"
	G10108	3	Lock Nut, 3/8"-16
19.	GD10867	2	Stop
20.	G10326	1	Hex Head Cap Screw, 3/8"-16 x 3 3/4"
21.	G10551	1	Clevis Pin, 1/4" x 2 1/2"
	G10669	1	Hair Pin Clip, No. 22
22.	G10312	2	Carriage Bolt, 5/16"-18 x 3/4"
	G10620	2	Serrated Flange Nut, 5/16"-18
23.	GD1033	1	Shield
24.		-	Wheel Arm, See "Gauge Wheels", Pages P6 And P7
25.	GA10157	1	Shank W/Gauge Wheel Pivot Spindle And Set Screw
	GD11001	-	Spindle
	G10438	-	Hex Head Cap Screw, 1/2"-13 x 3/4"
26.	G10207	2	Washer, 7/8" O.D. x 13/32" I.D. x .134" (If Applicable)
27.	GD11845	1	Dust Cap
28.			See "KPM I Electronic Seed Monitor", "KPM II Stack-Mode Electronic Seed Monitor" And "KPM III Electronic Seed Monitor", Pages P74-P79
29.	GB0285	1	Collar, Depth Adjustment
30.	GB0265	1	Pivot Link, Depth Adjustment
31.	GD15970	1	Sun Shade
32.	G10304	1	Carriage Bolt, 3/8"-16 x 3"
	G10108	1	Lock Nut, 3/8"-16
33.	GD17014	1	Hose Protector
34.	G10047	1	Hex Head Cap Screw, 3/8"-16 x 1 3/4"
	G10203	2-3	Washer, 3/8" SAE
	G10108	1	Lock Nut, 3/8"-16
35.	GD16245	-	Sun Shade (Rubber)

PARALLEL ARMS, MOUNTING SUPPORT PLATE AND QUICK ADJUSTABLE DOWN FORCE SPRINGS

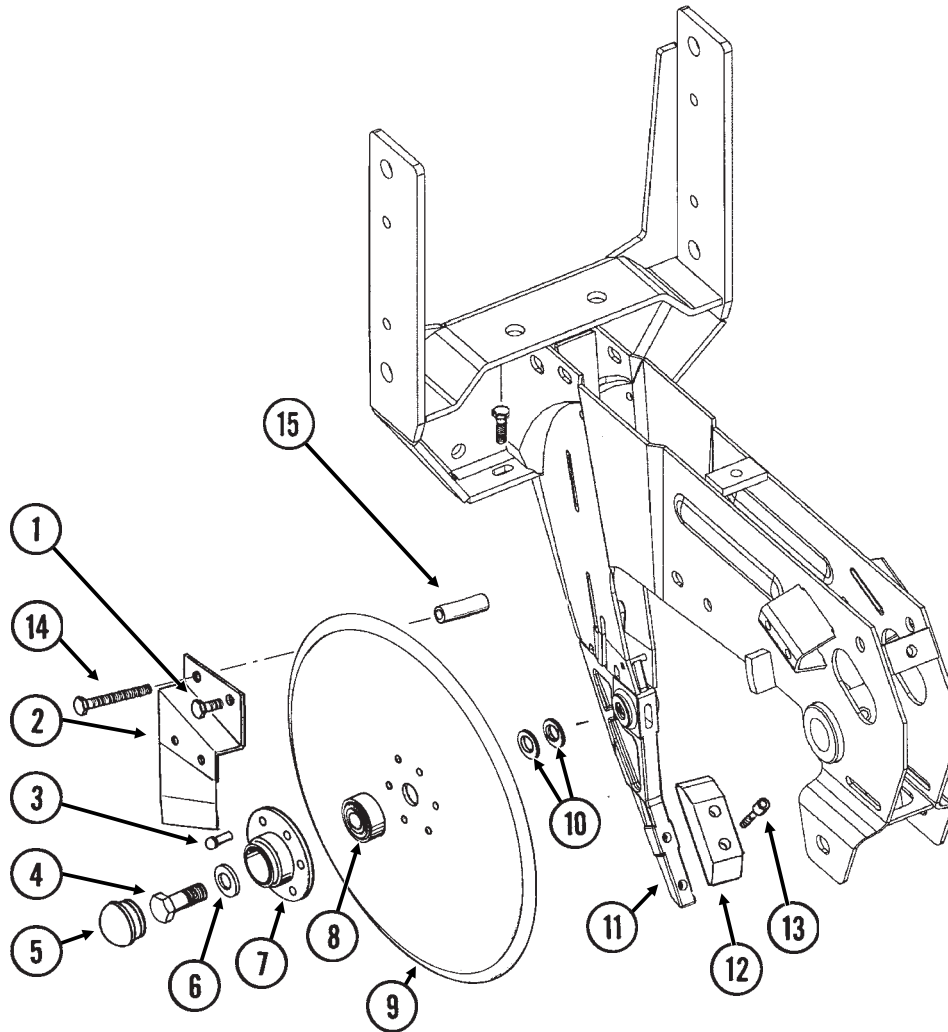
RUB021/RUB022(RU78f/RU79a/RU78b)



ITEM	PART NO.	QTY. (Per Row)	DESCRIPTION
1.	GD1114	2	U-Bolt, 7" x 7" x 5/8"-11
	G10230	4	Lock Washer, 5/8"
	G10104	4	Hex Nut, 5/8"-11
2.	GD10036	1	Mounting Support Plate
3.	GB0218	4	Bushing, 21/32" I.D. x 7/8" O.D. x 19/32" Long
4.	GD11422	2	Upper Parallel Arm
5.	G10732	4	Hex Head Cap Screw, 5/8"-18 x 2"
	GD7805	4	Special Washer, 5/8", Hardened
	G10412	4	Lock Nut, 5/8"-18
6.	GB0186	2	Spring Anchor
7.	GD14217	2	Tab Lock Pin, 7/16" x 1 1/2"
8.	GD8249	2-4	Spring
9.		-	See "Hopper Support And Meter Drive", Page P12
10.	GA5651	1	Lower Parallel Arm
11.	GA1720	1	Bearing/Sprocket, 7/8" Hex Bore
12.	G10001	2	Hex Head Cap Screw, 3/8"-16 x 1"
	G10229	2	Lock Washer, 3/8"
	G10101	2	Hex Nut, 3/8"-16
13.	GA8140	-	T-Bolt, 5/8"-11 x 7"
	G10230	-	Lock Washer, 5/8"
	G10104	-	Hex Nut, 5/8"-11
A.	G6326X	-	U-Bolt Package For 7" x 7" Toolbar, Includes: (2) GD1114, (4) G10230, (4) G10104

15" SEED OPENER DISC BLADE/BEARING ASSEMBLY AND SCRAPERS

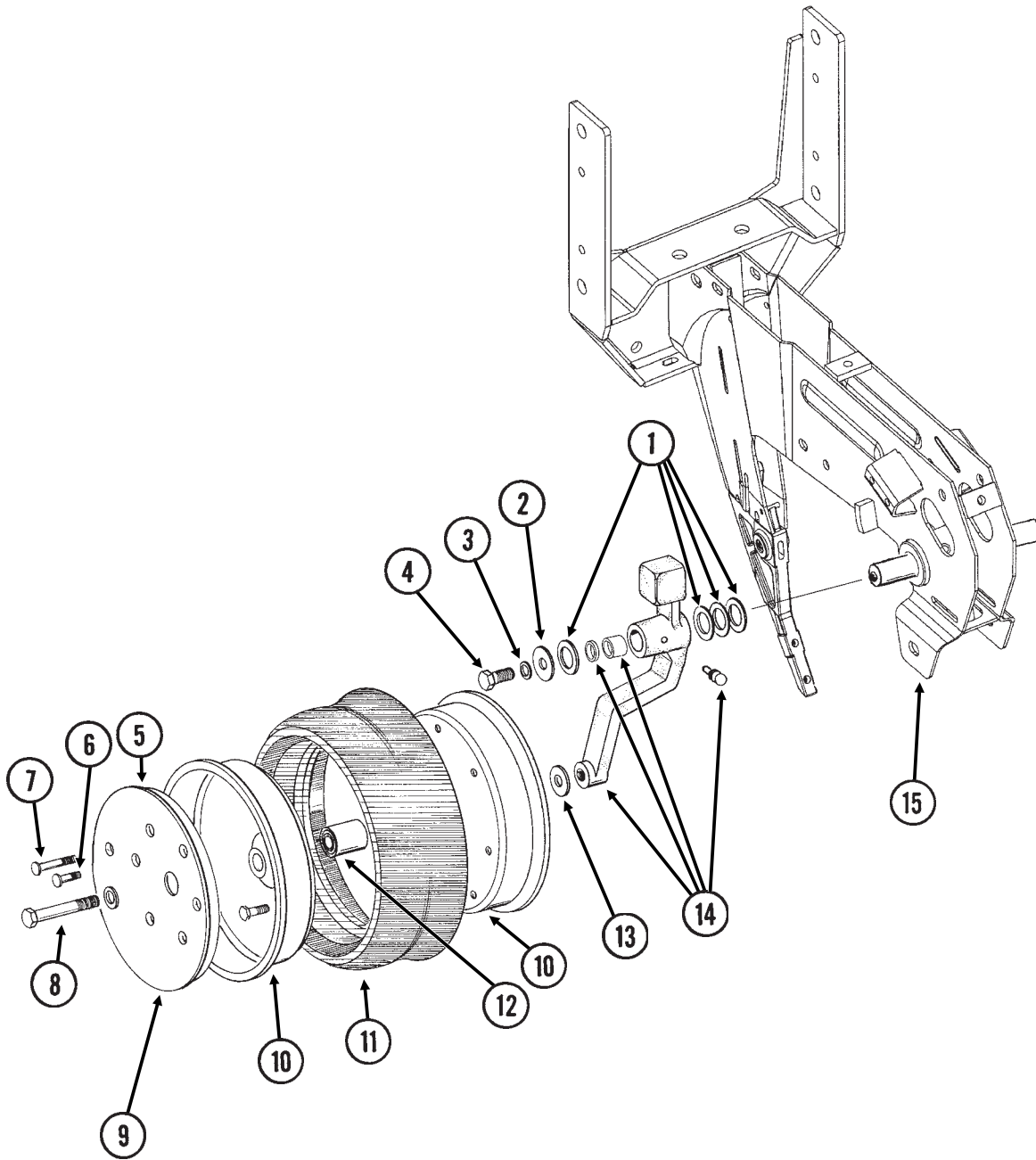
(RU139)



ITEM	PART NO.	QTY. (Per Row)	DESCRIPTION
1.	G10328	2	Hex Head Cap Screw, $\frac{3}{8}$ "-16 x $\frac{5}{8}$ "
	G10622	2	Serrated Flange Nut, $\frac{3}{8}$ "-16
2.	GA2012R	1	Disc Scraper, R.H.
	GA2012L	-	Disc Scraper, L.H. (Shown)
3.	G10427	12	Rivet, $\frac{1}{4}$ " x $\frac{1}{2}$ "
4.	GD11017	1	Special Hex Head Cap Screw, $\frac{5}{8}$ "-11 x $1 \frac{1}{2}$ ", L.H. Threads
	G10007	1	Hex Head Cap Screw, $\frac{5}{8}$ "-11 x $1 \frac{1}{2}$ "
5.	GD11845	2	Dust Cap
6.	G10204	2	Special Machine Bushing, $\frac{5}{8}$ " x 1" O.D.
7.	GD10473	2	Bearing Housing
8.	GA2014	2	Bearing
9.	GD11306	2	Disc Blade, 3.5 mm x 15"
10.	G10213	-	Machine Bushing, $\frac{5}{8}$ " (.030" Thick)(As Required)
11.		-	See "Shank Assembly", Pages P2 And P3
12.	GB0301	1	Seed Tube Guard/Inner Scraper
13.	G10912	2	Hex Socket Head Cap Screw, $\frac{5}{16}$ "-18 x 1", Grade 8
14.	G10325	1	Hex Head Cap Screw, $\frac{3}{8}$ "-16 x $2 \frac{3}{4}$ "
	G10622	1	Serrated Flange Nut, $\frac{3}{8}$ "-16
15.	GD11259	1	Sleeve, $\frac{3}{8}$ " I.D. x $\frac{5}{8}$ " O.D. x $1 \frac{25}{32}$ " Long
A.	GA8324	-	Disc Blade/Bearing Assembly, Less Dust Cap (Items 3 And 7-9)

GAUGE WHEELS

(RU140)

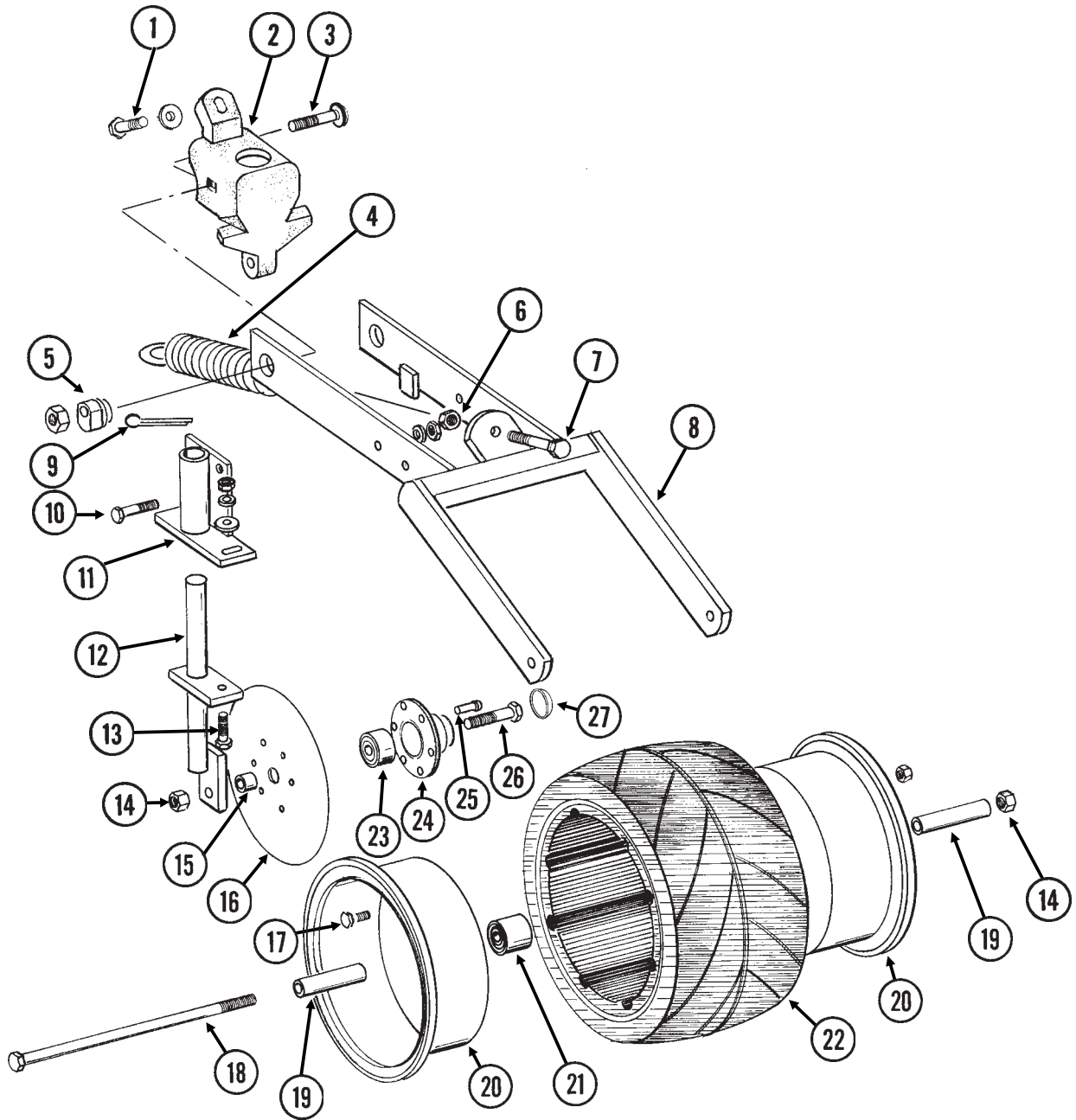


GAUGE WHEELS

ITEM	PART NO.	QTY. (Per Row)	DESCRIPTION
1.	G10940	-	Machine Bushing, 1" (.048" Thick)
2.	G10216	2	Washer, 1/2" USS
3.	G10228	2	Lock Washer, 1/2"
4.	G10014	1	Hex Head Cap Screw, 1/2"-13 x 1"
5.	GD11453	2	Cover
6.	G10338	12	Carriage Bolt, 5/16"-18 x 1 1/4"
	G10620	12	Serrated Flange Nut, 5/16"-18
7.	G10924	8	Carriage Bolt, 5/16"-18 x 1 3/4"
	G10620	8	Serrated Flange Nut, 5/16"-18
8.	G10010	2	Hex Head Cap Screw, 5/8"-11 x 3"
	G10230	2	Lock Washer, 5/8"
9.	G10018	14	Hex Head Cap Screw, 5/16"-18 x 5/8"
	G10109	14	Lock Nut, 5/16"-18, Grade 8
10.	GD11423	4	Half Wheel
11.	GD1086	2	Tire
12.	GA6171	2	Bearing
13.	G10204	2	Special Machine Bushing, 5/8" x 1" O.D.
14.	GA7975	1	Wheel Arm W/Grease Fitting, Bushings And Seals, L.H. (Shown)
	GA7976	1	Wheel Arm W/Grease Fitting, Bushings And Seals, R.H.
	G10640	1	Grease Fitting, 1/4"-28 (Per Arm)
	GB0276	2	Bushing, 1" I.D. x 1 1/4" O.D. x 1" Long (Per Arm)
	GD10991	2	Seal (Per Arm)
15.		-	See "Shank Assembly", Pages P2 And P3
A.	GA7949	-	Gauge Wheel Complete (Items 5-7 And 9-12)
B.	G1K296	-	Gauge Wheel Arm Bushing And Seal Driver Kit, Includes: (1) Seal Driver, (1) Bushing Driver, (1) Instruction

COVERING DISCS/SINGLE PRESS WHEEL

RUA054/RUB026(RU94d)

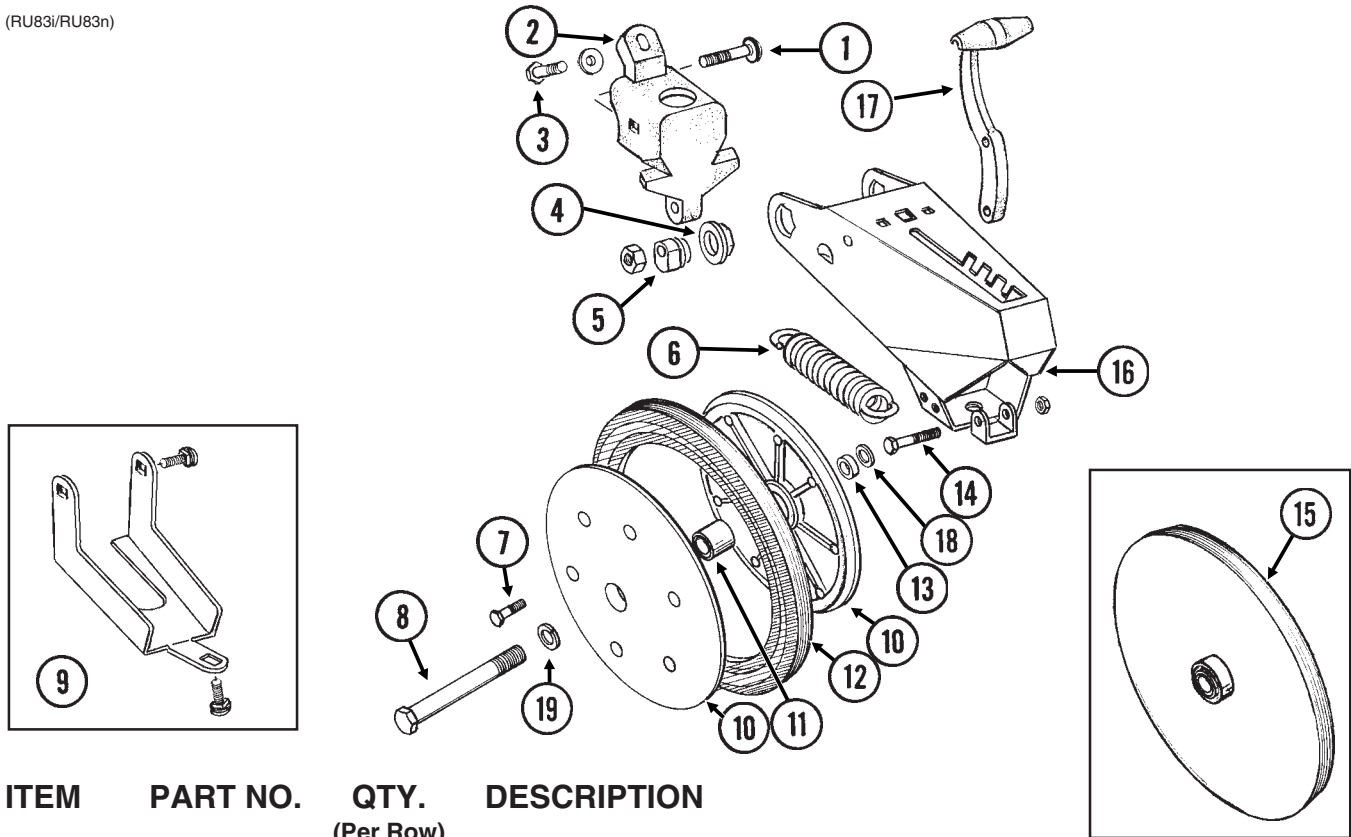


COVERING DISCS/SINGLE PRESS WHEEL

ITEM	PART NO.	QTY. (Per Row)	DESCRIPTION
1.	G10001	1	Hex Head Cap Screw, $\frac{3}{8}$ "-16 x 1"
	G10210	1	Washer, $\frac{3}{8}$ " USS
2.	GB0268	1	Wheel Arm Stop
3.	G10801	2	Carriage Bolt, $\frac{1}{2}$ "-13 x 2 $\frac{1}{4}$ "
	G10315	-	Carriage Bolt, $\frac{1}{2}$ "-13 x 2 $\frac{1}{2}$ " (Used W/Straight Drop In-Furrow Granular Chemical Bracket)
	G10102	2	Hex Nut, $\frac{1}{2}$ "-13
4.	GA2054	1	Spring
5.	GB0239	2	Eccentric Bushing
6.	G10102	1	Hex Nut, $\frac{1}{2}$ "-13
7.	G10015	1	Adjusting Bolt, $\frac{1}{2}$ "-13 x 5"
8.	GA6619	1	Mounting Arm
9.	G10463	2	Cotter Pin, $\frac{1}{4}$ " x 1 $\frac{1}{2}$ "
10.	G10171	4	Hex Head Cap Screw, $\frac{5}{16}$ "-18 x 1 $\frac{1}{4}$ "
	G10232	4	Lock Washer, $\frac{5}{16}$ "
	G10106	4	Hex Nut, $\frac{5}{16}$ "-18
11.	GA6620	2	Bracket
12.	GA6618	2	Mount
13.	G10303	2	Carriage Bolt, $\frac{5}{16}$ "-18 x 1"
	G10219	2	Washer, $\frac{5}{16}$ " USS
	G10232	2	Lock Washer, $\frac{5}{16}$ "
	G10106	2	Hex Nut, $\frac{5}{16}$ "-18
14.	G10107	3	Lock Nut, $\frac{5}{8}$ "-11
15.	GD1109	2	Bushing, $\frac{41}{64}$ " I.D. x $\frac{7}{8}$ " O.D. x $\frac{1}{4}$ " Long
16.	GD9290	2	Disc Blade, 8"
17.	G10018	7	Hex Head Cap Screw, $\frac{5}{16}$ "-18 x $\frac{5}{8}$ "
	G10109	7	Lock Nut, $\frac{5}{16}$ "-18, Grade 8
18.	G10152	1	Hex Head Cap Screw, $\frac{5}{8}$ "-11 x 9"
19.	GD3180-12	2	Sleeve, $\frac{5}{8}$ " I.D. x $\frac{7}{8}$ " O.D. x 2 $\frac{7}{8}$ " Long
20.	GD9562	2	Half Wheel
21.	GA6171	1	Bearing
22.	GD9305	1	Tire
23.	GA2014	2	Bearing
24.	GD10473	2	Bearing Housing
25.	G10427	12	Rivet, $\frac{1}{4}$ " x $\frac{1}{2}$ "
26.	G10006	2	Hex Head Cap Screw, $\frac{5}{8}$ "-11 x 2 $\frac{1}{4}$ "
27.	GD11845	2	Dust Cap
A.	GA6733	-	Single Press Wheel Complete W/Bearing (Items 17 And 20-22)
B.	GA6801	-	Covering Disc Blade Complete W/Bearing (Items 16 And 23-25)

"V" CLOSING WHEELS

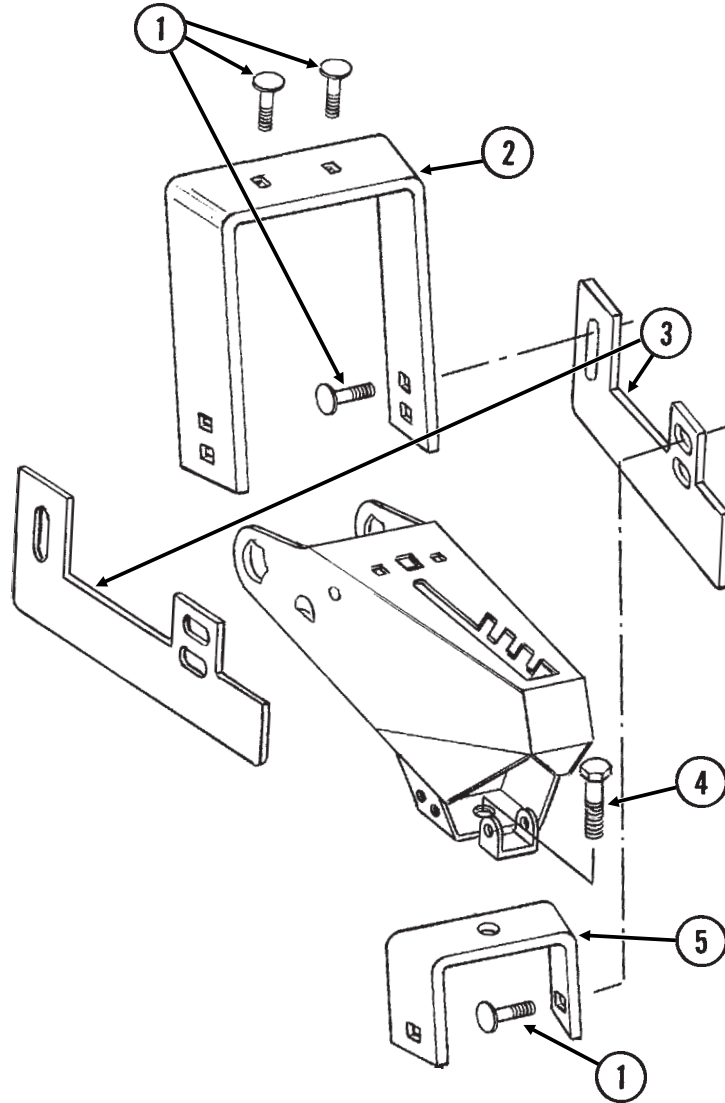
(RU83i/RU83n)



ITEM	PART NO.	QTY. (Per Row)	DESCRIPTION
1.	G10801	2	Carriage Bolt, 1/2"-13 x 2 1/4"
	G10315	-	Carriage Bolt, 1/2"-13 x 2 1/2" (Used W/Straight Drop In-Furrow Granular Chemical Bracket)
	G10111	2	Lock Nut, 1/2"-13
2.	GB0268	1	Wheel Arm Stop
3.	G10001	1	Hex Head Cap Screw, 3/8"-16 x 1"
	G10210	1	Washer, 3/8" USS
4.	GB0282	2	Stepped Bushing
5.	GB0239	2	Eccentric Bushing
6.	GD8460	1	Spring
7.	G10064	6	Hex Head Cap Screw, 1/4"-20 x 1"
8.	G10013	2	Hex Head Cap Screw, 5/8"-11 x 3 1/2"
	G10107	2	Lock Nut, 5/8"-11
9.	G1K345	-	Closing Wheel Shield Kit W/Hardware And Instruction
	G10308	2	Carriage Bolt, 3/8"-16 x 3/4"
	G10599	1	Carriage Bolt, 3/8"-16 x 1 1/4"
	G10210	1	Washer, 3/8" USS
	G10229	3	Lock Washer, 3/8"
	G10101	3	Hex Nut, 3/8"-16
10.	GD9120	4	Nylon Half Wheel
11.	GA6171	2	Bearing
12.	GD1085	2	Rubber Tire, 1" x 12"
13.	GD1109	2	Bushing, 41/64" I.D. x 7/8" O.D. x 1/4" Long
14.	G10133	1	Hex Head Cap Screw, 5/16"-18 x 1 1/2"
	G10109	1	Lock Nut, 5/16"-18, Grade 8
15.	GA6597	-	Cast Iron Closing Wheel W/Bearing
	GA6171	-	Bearing
16.	GA8322	1	Arm
17.	GB0254	1	Lever
18.	GD7805	2	Special Washer, 5/8", Hardened
19.	G10230	2	Lock Washer, 5/8"
A.	GA6434	-	Rubber Closing Wheel Complete W/Bearing (Items 7 And 10-12)

DRAG CLOSING ATTACHMENT

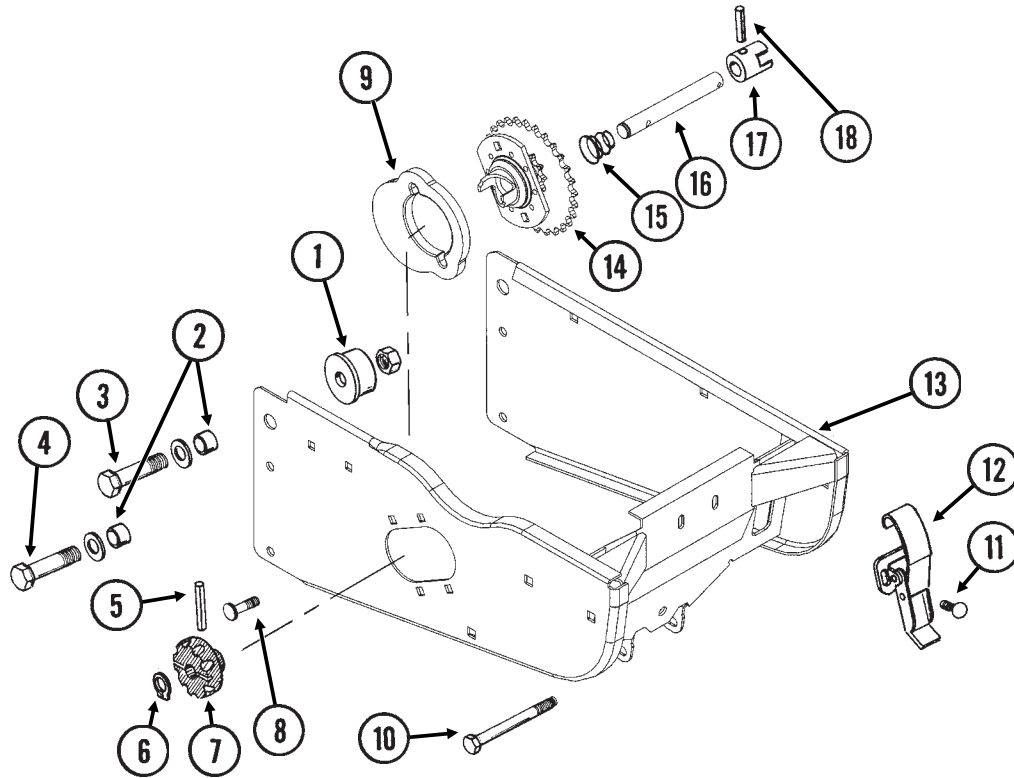
RUB050(RU90c)



ITEM	PART NO.	QTY.	DESCRIPTION
		(Per Row)	
1.	G10599	6	Carriage Bolt, 3/8"-16 x 1 1/4"
	G10210	6	Washer, 3/8" USS
	G10229	6	Lock Washer, 3/8"
	G10101	6	Hex Nut, 3/8"-16
2.	GD11508	1	Front Bracket
3.	GD11313	2	Blade
4.	G10007	1	Hex Head Cap Screw, 5/8"-11 x 1 1/2"
	G10230	1	Lock Washer, 5/8"
	G10104	1	Hex Nut, 5/8"-11
5.	GD11509	1	Rear Bracket
A.	G7566X	-	Drag Closing Attachment Complete (Items 1-5)

HOPPER SUPPORT AND METER DRIVE

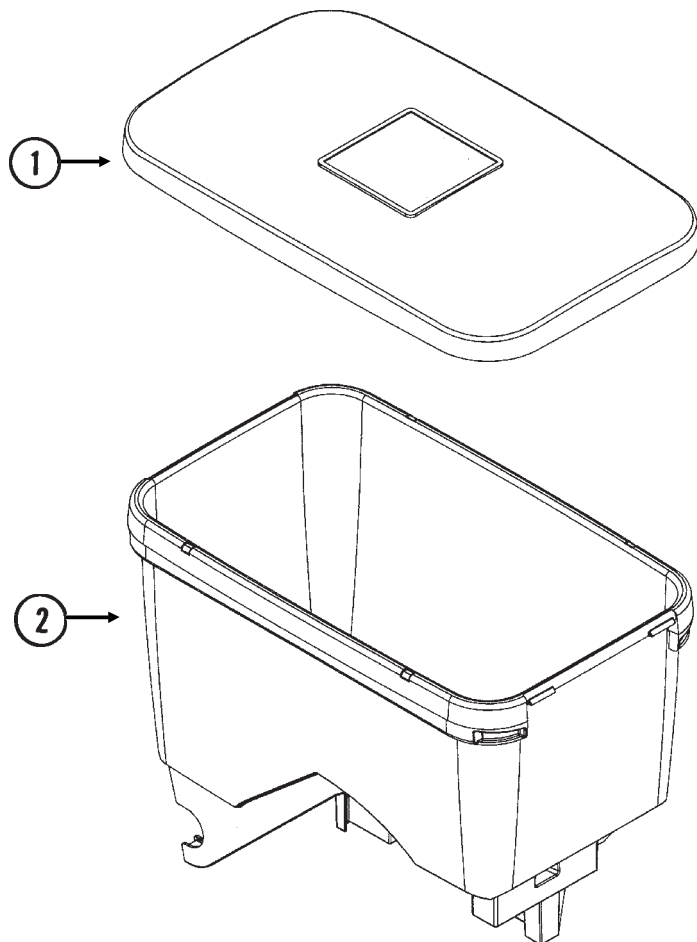
(METR72)



ITEM	PART NO.	QTY. (Per Row)	DESCRIPTION
1.	GB0314	2	Hopper Mount
2.	GB0218	4	Bushing, $2\frac{1}{32}$ " I.D. x $\frac{7}{8}$ " O.D. x $\frac{19}{32}$ " Long
3.	G10752	2	Hex Head Cap Screw, $\frac{5}{8}$ "-18 x 2 $\frac{1}{4}$ "
	GD7805	2	Special Washer, $\frac{5}{8}$ ", Hardened
	G10412	2	Lock Nut, $\frac{5}{8}$ "-18
4.	G10751	2	Hex Head Cap Screw, $\frac{5}{8}$ "-18 x 1 $\frac{3}{4}$ "
	GD7805	2	Special Washer, $\frac{5}{8}$ ", Hardened
	G10412	2	Lock Nut, $\frac{5}{8}$ "-18
5.	G10602	1	Spring Pin, $\frac{1}{4}$ " x 1 $\frac{1}{2}$ "
6.	G10567	1	External Retaining Ring, $\frac{5}{8}$ "
7.	GD11239	1	Knob
8.	G10338	2	Carriage Bolt, $\frac{5}{16}$ "-18 x 1 $\frac{1}{4}$ "
	G10620	2	Serrated Flange Nut, $\frac{5}{16}$ "-18
9.	GB0331	1	Clutch Adapter Plate
10.	G10061	1	Hex Head Cap Screw, $\frac{3}{8}$ "-16 x 3 $\frac{1}{2}$ "
	G10210	2	Washer, $\frac{3}{8}$ " USS
	G10108	1	Lock Nut, $\frac{3}{8}$ "-16
11.	G10309	2	Carriage Bolt, $\frac{1}{4}$ "-20 x $\frac{5}{8}$ ", Grade 2
	G10621	2	Serrated Flange Nut, $\frac{1}{4}$ "-20
12.	GA2007	1	Hopper Hold Down Latch
13.	GA10155	1	Hopper Support
14.	GA12143	1	Double Sprocket And Bearing, Drive Clutch, 11/28 Tooth
15.	GD11413	1	Spring
16.	GD15747	1	Shaft
17.	GB0278	1	Coupler
18.	G10546	1	Spring Pin, $\frac{3}{16}$ " x 1 $\frac{1}{4}$ "
A.	GA12144	-	Meter Drive Assembly, 11/28 Tooth (Items 5-7 And 14-18)

SEED HOPPER AND LID

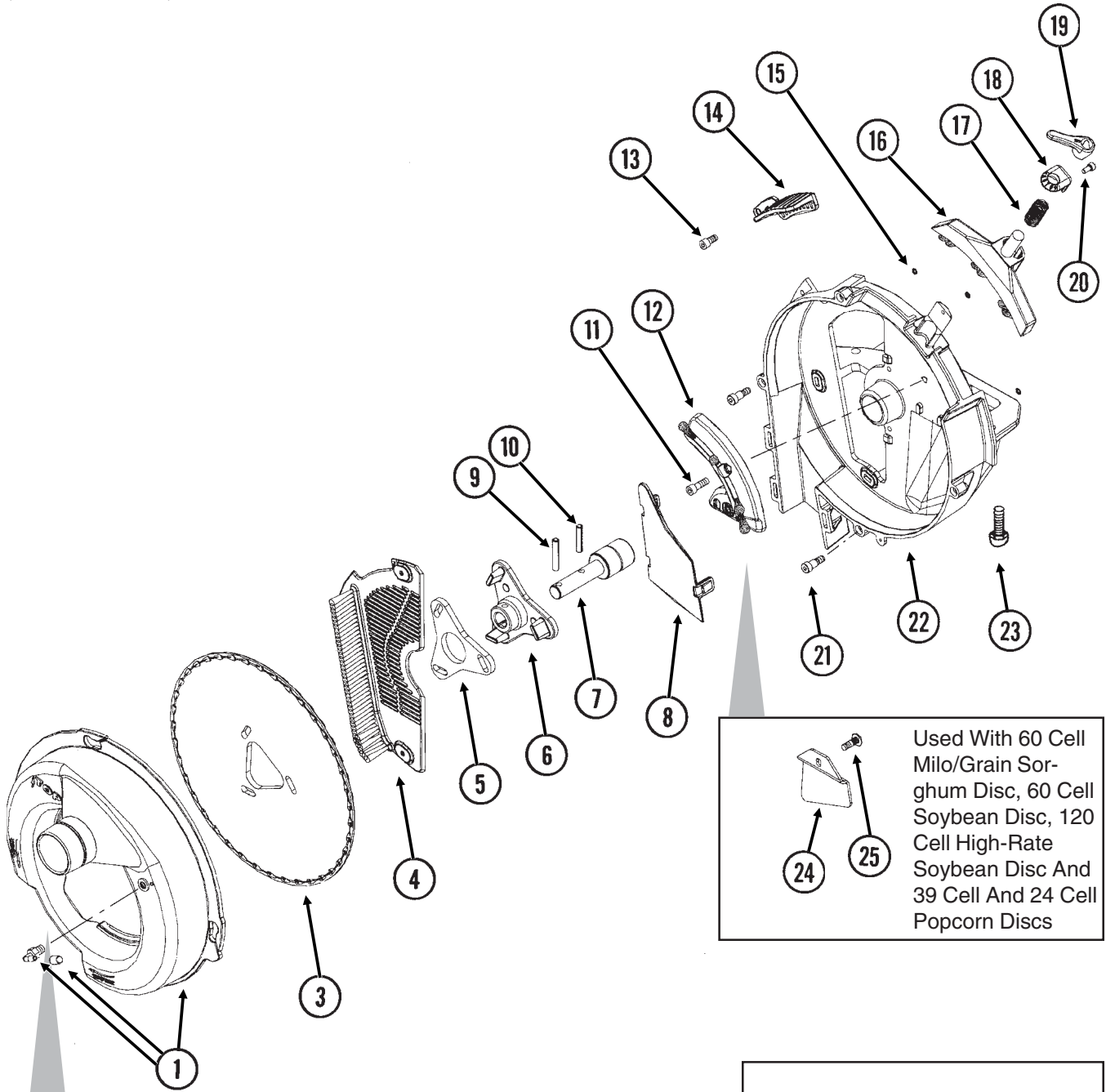
(METR12)



ITEM	PART NO.	QTY.	DESCRIPTION
1.	GD11279	1	Lid
2.	GA10634	1	Seed Hopper

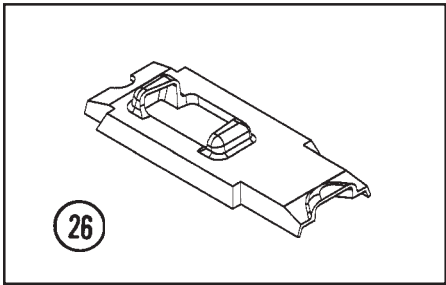
SEED METER

(METR69/METR65/A12133)



Used With 60 Cell Milo/Grain Sorghum Disc, 60 Cell Soybean Disc, 120 Cell High-Rate Soybean Disc And 39 Cell And 24 Cell Popcorn Discs

	<p>2 Used With 60 Cell Milo/Grain Sorghum Disc</p>
	<p>27 Used With 20 Cell Hill-Drop Acid-Delinted Cotton Disc And 54 Cell Acid-Delinted Cotton/ Small Dry Edible Bean Disc</p>

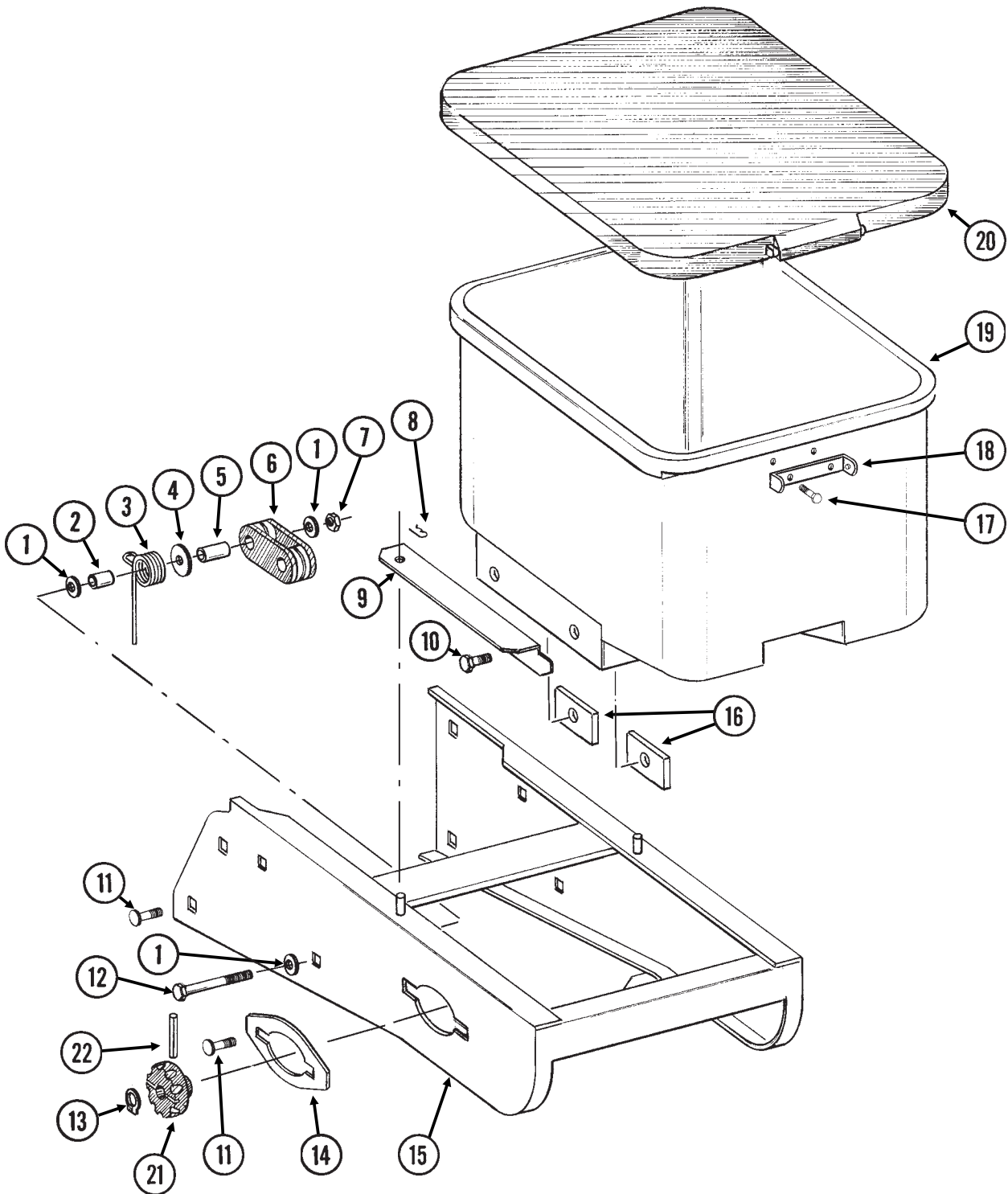


SEED METER

ITEM	PART NO.	QTY.	DESCRIPTION
1.	GA11911	1	Vacuum Cover W/Elbow And Cap
	GD17099	-	³ / ₁₆ " Hose Barb Elbow
	GD17152	-	Cap
2.	GA12133	1	Cleanout Brush (Used With 60 Cell Milo/Grain Sorghum Disc)
3.	GD17049	-	Seed Disc, Corn/Popcorn, 39 Cell, Light Blue Color-Coded
	GD17048	-	Seed Disc, Low-Rate Corn/Popcorn, 24 Cell, Light Green Color-Coded
	GD14467	-	Seed Disc, Soybean, 60 Cell, Black Color-Coded
	GD14468	-	Seed Disc, High-Rate Soybean, 120 Cell, Dark Blue Color-Coded
	GD17050	-	Seed Disc, Milo/Grain Sorghum, 60 Cell, Yellow Color-Coded
	GD17187	-	Seed Disc, Hill-Drop Cotton, Acid-Delinted, 20 Cell (3 Seeds Per Cell), Brown Color-Coded
	GD17186	-	Seed Disc, Cotton, Acid-Delinted/Small Dry Edible Bean, 54 Cell, Dark Green Color-Coded
	GD14477	-	Seed Disc, Large Dry Edible Bean, 54 Cell, Tan Color-Coded
4.	GD17028	1	Wall Brush/Vent
5.	GD17021	1	Foam Spacer
6.	GB0328	1	Mount
7.	GA5698	1	Bearing
8.	GD14541	1	Discharge Cover
9.	G10602	1	Spring Pin, ¹ / ₄ " x 1 ¹ / ₂ "
10.	G10603	1	Spring Pin, ¹ / ₄ " x 1 ¹ / ₄ "
11.	G11213	1	Hex Socket Head Cap Screw, ¹ / ₄ "-20 x ³ / ₄ "
12.	GA11935	1	Crowder Brush
13.	G10260	1	Hex Socket Head Cap Screw, ¹ / ₄ "-20 x ¹ / ₂ "
14.	GD17047	1	Air Inlet Screen
15.	GD17162	3	Push Nut, ¹ / ₈ " I.D.
16.	GA10755	1	Singulator Brush
17.	GD14592	1	Spring
18.	GB0358	1	Cap
19.	GD15663	1	Brush Adjustment Lever
20.	G11173	1	Hex Socket Head Cap Screw, No. 10-24 x ³ / ₈ ", Stainless Steel
21.	G11172	4	Hex Socket Head Shoulder Screw, ¹ / ₄ "-20 x ³ / ₈ ", Stainless Steel
22.	GB0319	1	Housing
23.	G11009	2	Locking Thumbscrew, ⁵ / ₁₆ "-18 x ³ / ₄ "
24.	GD17104	1	Seed Baffle (Used With 60 Cell Milo/Grain Sorghum Disc, 60 Cell Soybean Disc, 120 Cell High-Rate Soybean Disc And 39 Cell And 24 Cell Popcorn Discs)
25.	G11210	1	Rib Neck Bolt, ¹ / ₄ "-20 x ³ / ₄ "
	G10323	1	Hex Flange Nut, ¹ / ₄ "-20, No Serration
26.	GD15700	1	Shank Cover, EdgeVac [®] Meter
27.	GA12154	-	Cleanout Brush W/Ball-Type Ejector (Used With 20 Cell Hill-Drop Acid-Delinted Cotton Disc And 54 Cell Acid-Delinted Cotton/Small Dry Edible Bean Disc)

GRANULAR CHEMICAL HOPPER AND HOPPER PANEL EXTENSION

(METR14d)

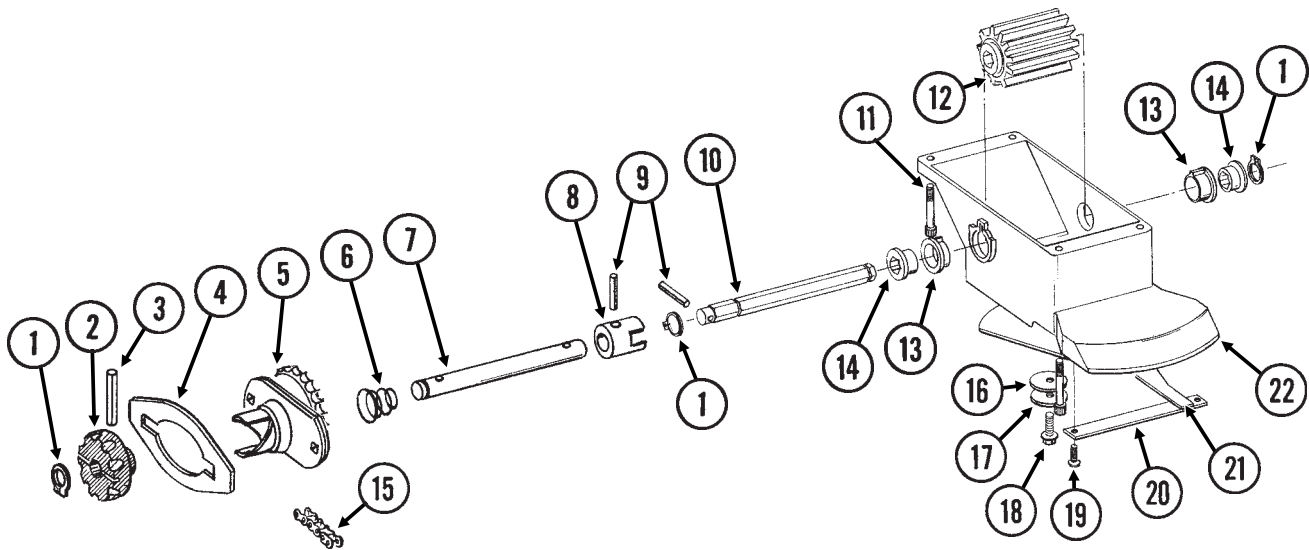


GRANULAR CHEMICAL HOPPER AND HOPPER PANEL EXTENSION

ITEM	PART NO.	QTY. (Per Row)	DESCRIPTION
1.	G10210	3	Washer, $\frac{3}{8}$ " USS
2.	GD2971-10	1	Sleeve, $\frac{9}{16}$ " Long
3.	GD11219	1	Spring
4.	G10201	1	Special Washer, $\frac{3}{8}$ " x 1 $\frac{1}{2}$ " O.D.
5.	GD1026	1	Sleeve, 1 $\frac{3}{16}$ " Long
6.	GD11962	1	Idler
7.	G10108	1	Lock Nut, $\frac{3}{8}$ "-16
8.	G10670	2	Hair Pin Clip, No. 3
9.	GD1059L	1	Support, L.H. (Shown)
	GD1059R	1	Support, R.H.
10.	G10002	4	Hex Head Cap Screw, $\frac{3}{8}$ "-16 x $\frac{3}{4}$ "
	G10229	4	Lock Washer, $\frac{3}{8}$ "
11.	G10312	8	Carriage Bolt, $\frac{5}{16}$ "-18 x $\frac{3}{4}$ "
	G10620	8	Serrated Flange Nut, $\frac{5}{16}$ "-18
12.	G10325	1	Hex Head Cap Screw, $\frac{3}{8}$ "-16 x 2 $\frac{3}{4}$ "
13.	G10567	3	External Retaining Ring, $\frac{5}{8}$ "
14.	GD11305	1	Plate
15.	A10759	1	Hopper Panel Extension (Non-Stock Item) (Sub Wholegoods Order Code 700-01099)
16.	GD11424	4	Block
17.	G10023	2	Hex Head Cap Screw, $\frac{1}{4}$ "-20 x $\frac{3}{4}$ "
	G10621	2	Serrated Flange Nut, $\frac{1}{4}$ "-20
18.	GD1060	1	Hinge
19.	GA8371	1	Hopper
20.	GA4444	1	Lid
21.	GD11239	1	Knob
22.	G10602	1	Spring Pin, $\frac{1}{4}$ " x 1 $\frac{1}{2}$ "

GRANULAR CHEMICAL METER AND METER DRIVE

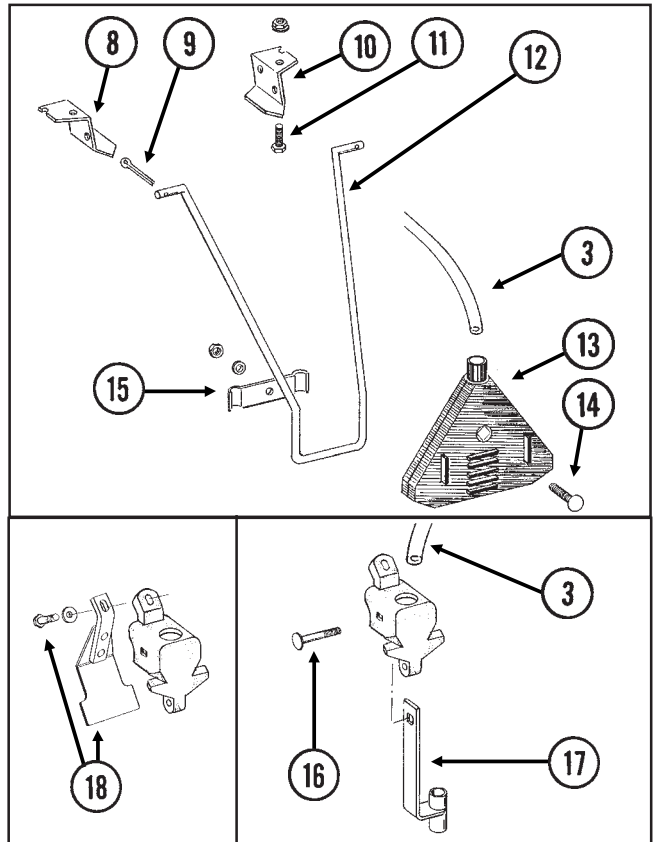
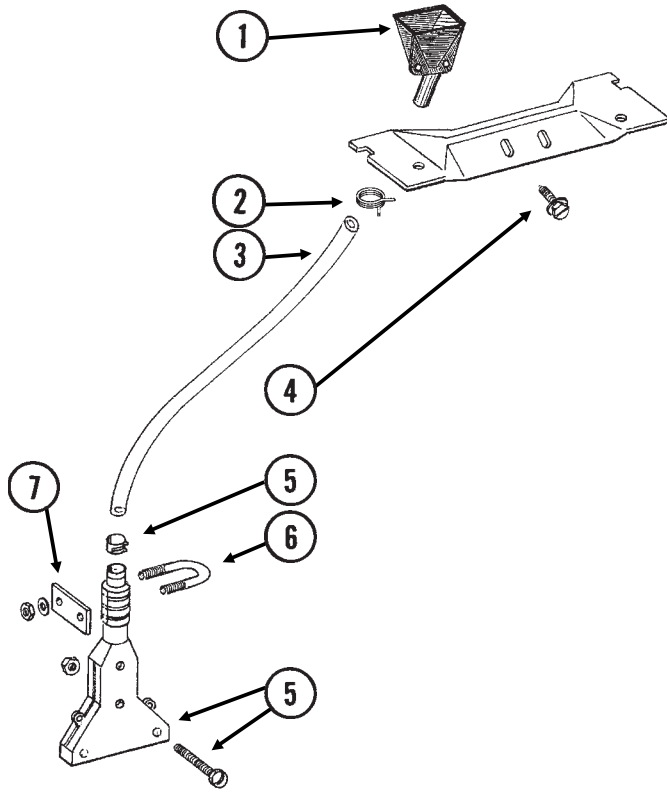
RUA051/RUB028(RU91a)



ITEM	PART NO.	QTY. (Per Row)	DESCRIPTION
1.	G10567	3	External Retaining Ring, $\frac{5}{8}$ "
2.	GD11239	1	Knob
3.	G10602	1	Spring Pin, $\frac{1}{4}$ " x $1\frac{1}{2}$ "
4.		-	See "Granular Chemical Hopper And Hopper Panel Extension", Pages P16 And P17
5.	GA8364	1	Sprocket And Bearing, Drive Clutch, 24 Tooth
6.	GD11413	1	Spring
7.	GD11240	1	Shaft
8.	GB0278	1	Coupler
9.	G10546	2	Spring Pin, $\frac{3}{16}$ " x $1\frac{1}{4}$ "
10.	GD11297	1	Shaft
11.	G10921	4	Hex Socket Head Cap Screw, No. 10-24 x $\frac{7}{8}$ "
	G10257	4	Lock Washer, No. 10
12.	GD7148	1	Feed Roller, Hex Bore
13.	GB0115	2	Bearing
14.	GD7258	2	Hex Bushing
15.	G3303-108	1	Chain, No. 41, 108 Pitch Including Connector Link
	GR0196	1	Connector Link, No. 41
16.	G10660	1	Wave Washer, $\frac{1}{2}$ "
17.	G10209	1	Washer, $\frac{1}{4}$ " USS
18.	G10570	1	Slotted Hex Self-Tapping Screw, $\frac{1}{4}$ "-20 x $\frac{3}{4}$ "
19.	G11073	2	Slotted Hex Self-Tapping Screw, No. 10 x $\frac{3}{8}$ "
20.	GD1061	1	Support Strap
21.	GD1063	1	Metering Gate
22.	GB0116	1	Granular Housing
A.	GA8326	-	Granular Chemical Meter Complete (Items 1, 9, 10, 12-14 And 16-22)

GRANULAR CHEMICAL BANDING OPTIONS

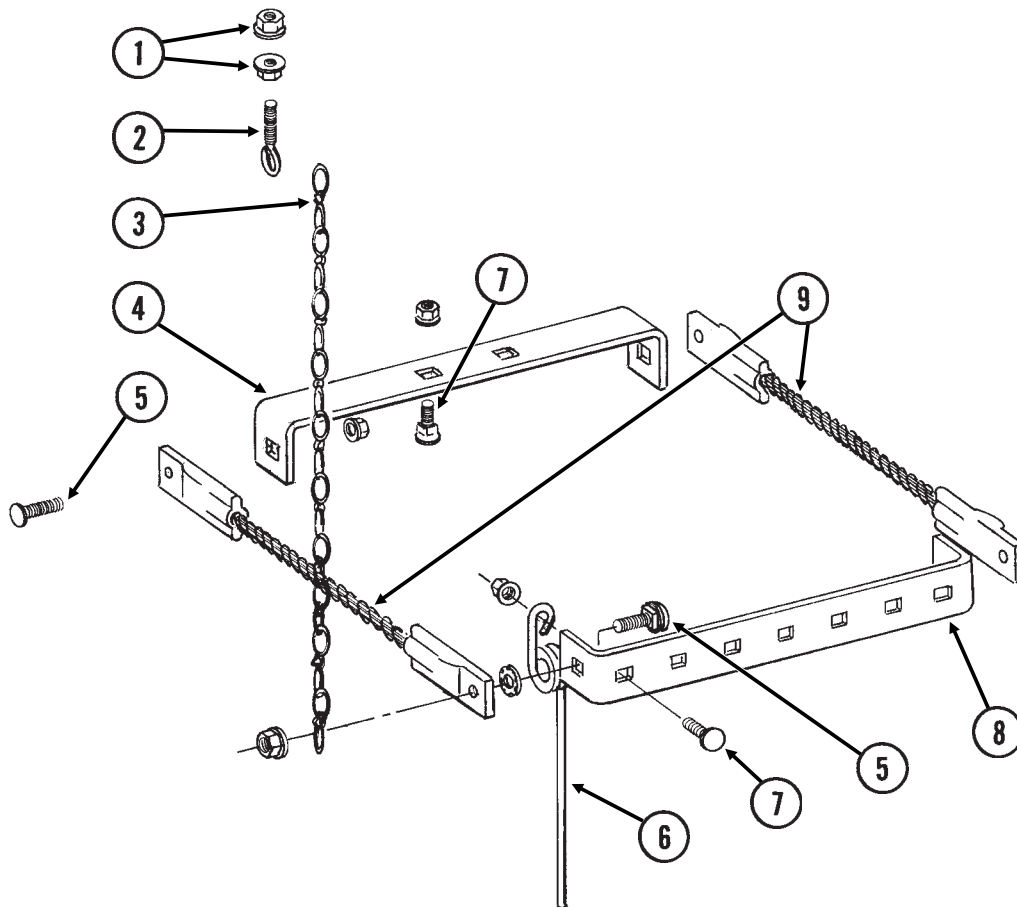
RUA061/RUA073(RU101mm/RU83m)



ITEM	PART NO.	QTY.	DESCRIPTION
1.	GD2423	1	Funnel
2.	G11209	1	Wire Hose Clamp, 3/4"
3.	GD2947	1	Hose, 7/16" x 28"
4.	G10523	2	Slotted Pan Head Self-Tapping Screw, No. 10 x 1/2"
5.	GA6907	1	Slope-Compensating Bander W/Hardware (4 1/2" Band Width)
	G10864	1	Uni-Clamp
	G10757	2	Pan Head Screw, No. 10-32 x 1 1/4"
	G10758	2	Hex Nut, No. 10-32
6.	GD10963	1	U-Bolt, 1 1/2" x 1 5/16" x 1/4"-20
	G10209	2	Washer, 1/4" USS
	G10110	2	Lock Nut, 1/4"-20, Grade B
7.	GD10984	1	Spacer
8.	GD1115L	-	Hanger Bracket, L.H.
9.	G10452	-	Cotter Pin, 1/8" x 1/2"
10.	GD1115R	-	Hanger Bracket, R.H.
11.	G10310	-	Carriage Bolt, 1/4"-20 x 3/4", Grade 2
	G10227	-	Lock Washer, 1/4"
	G10103	-	Hex Nut, 1/4"-20
12.	GD1116	-	Hanger
13.	GA2075	-	Diffuser, 14" Band
14.	G10306	-	Carriage Bolt, 3/8"-16 x 2"
	G10229	-	Lock Washer, 3/8"
	G10101	-	Hex Nut, 3/8"-16
15.	GD1118	-	Clamp
16.	G10315	1	Carriage Bolt, 1/2"-13 x 2 1/2" (Replaces Existing 1/2" x 2 1/4" Hardware)
17.	GA6741	1	Bracket (Straight Drop In-Furrow)
18.	G1K385	-	Bander Shield Kit W/Hardware And Instruction
	G10003	1	Hex Head Cap Screw, 3/8"-16 x 1 1/2"
	GD14659	1	Special Washer, 3/8", Hardened

SPRING TOOTH INCORPORATOR

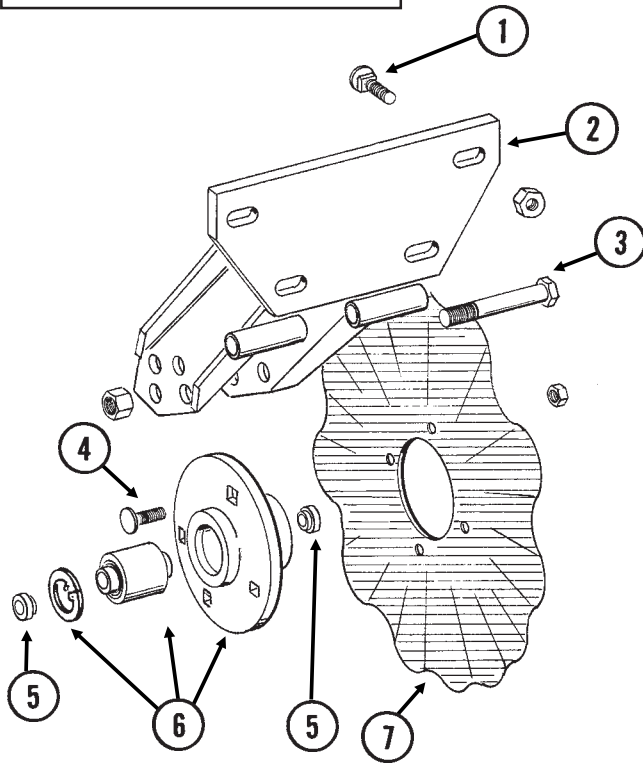
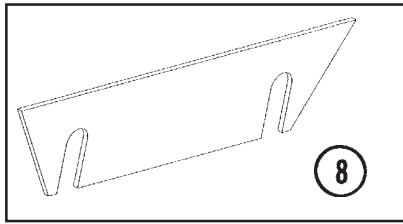
RUA055(RU95)



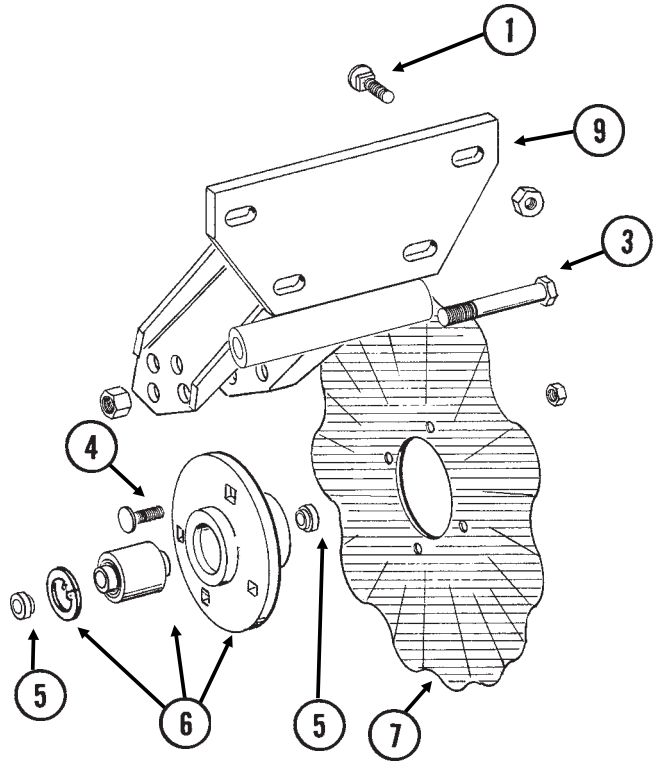
ITEM	PART NO.	QTY. (Per Row)	DESCRIPTION
1.	G10621	4	Serrated Flange Nut, 1/4"-20
2.	GD2460	2	Eyebolt, 1/4"-20
3.	G3305-01	4	Twin Loop Chain, 9 Links
4.	GD1143	1	Front Bracket
5.	G10305	4	Carriage Bolt, 3/8"-16 x 1"
	G10529	4	External Tooth Lock Washer, 3/8"
	G10622	4	Serrated Flange Nut, 3/8"-16
6.	GD1145	7	Spring Tooth
7.	G10308	9	Carriage Bolt, 3/8"-16 x 3/4"
	G10622	9	Serrated Flange Nut, 3/8"-16
8.	GD1144	1	Rear Bracket
9.	GA2094	2	Cable Assembly

ROW UNIT MOUNTED NO TILL COULTER

(D14398/RU102c/RU152)



STYLE A

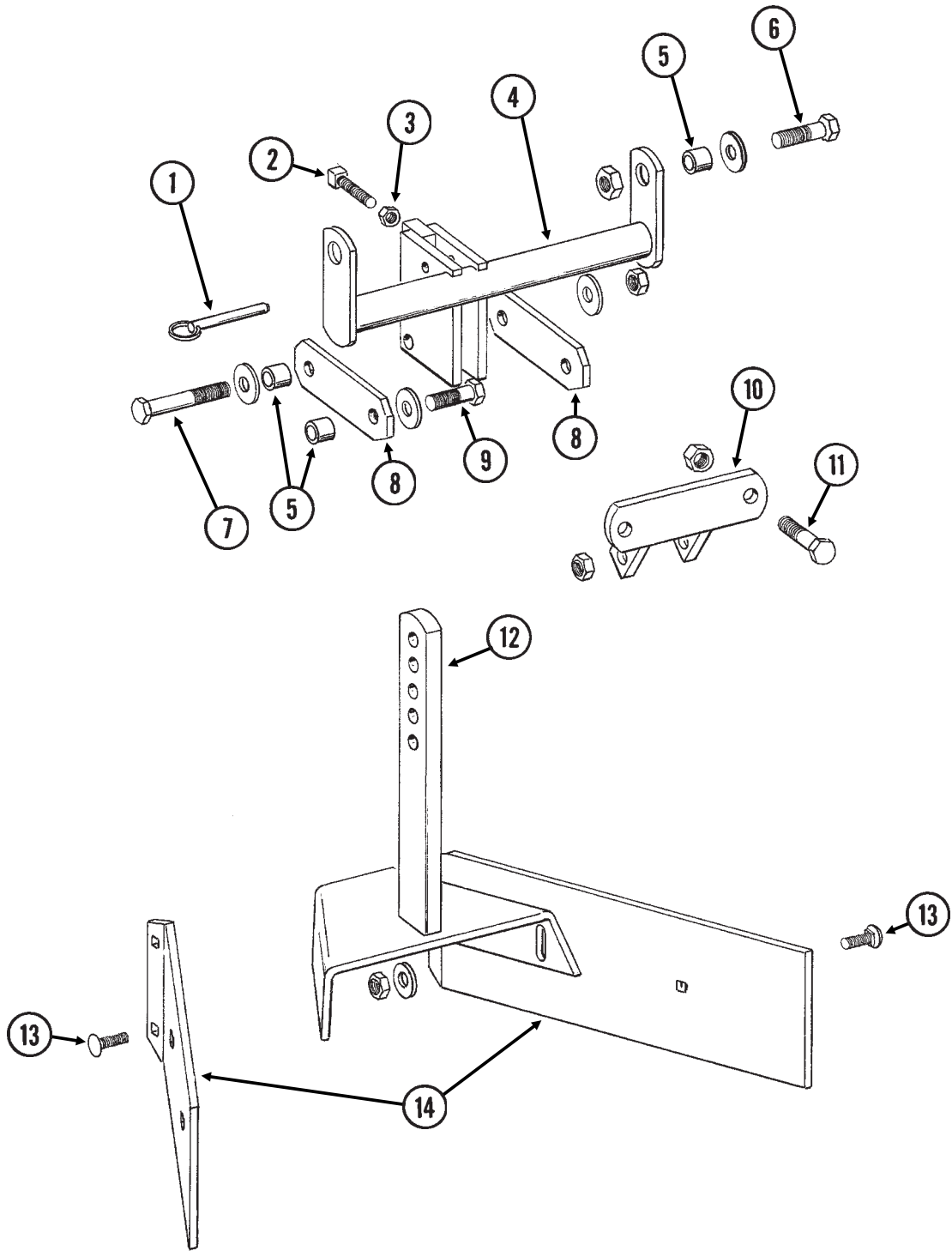


STYLE B

ITEM	PART NO.	QTY.	DESCRIPTION
		(Per Row)	
1.	G10574	4	Carriage Bolt, 1/2"-13 x 1 1/4"
	G10111	4	Lock Nut, 1/2"-13
2.	GA5625	1	Arm (Style A)
3.	G10036	1	Hex Head Cap Screw, 5/8"-11 x 4"
	G10107	1	Lock Nut, 5/8"-11
4.	G10574	4	Carriage Bolt, 1/2"-13 x 1 1/4"
	G10111	4	Lock Nut, 1/2"-13
5.	GD11677	2	Adapter
6.	GA8641	1	Hub W/Bearing And Retaining Ring
	GA8603	-	Bearing, Double Row
	GD11652	-	Retaining Ring, 2 7/16"
7.	GD7803	-	Disc Blade, Fluted, 1", 8 Flutes (Shown)
	GD7804	-	Disc Blade, Bubbled, 1"
	GD9254	-	Disc Blade, Fluted, 3/4", 13 Flutes
8.	GD14398	-	Spacer
9.	GA11520	1	Arm (Style B)

ROW UNIT MOUNTED BED LEVELER

RUA059/RUA060(RU99/RU100)

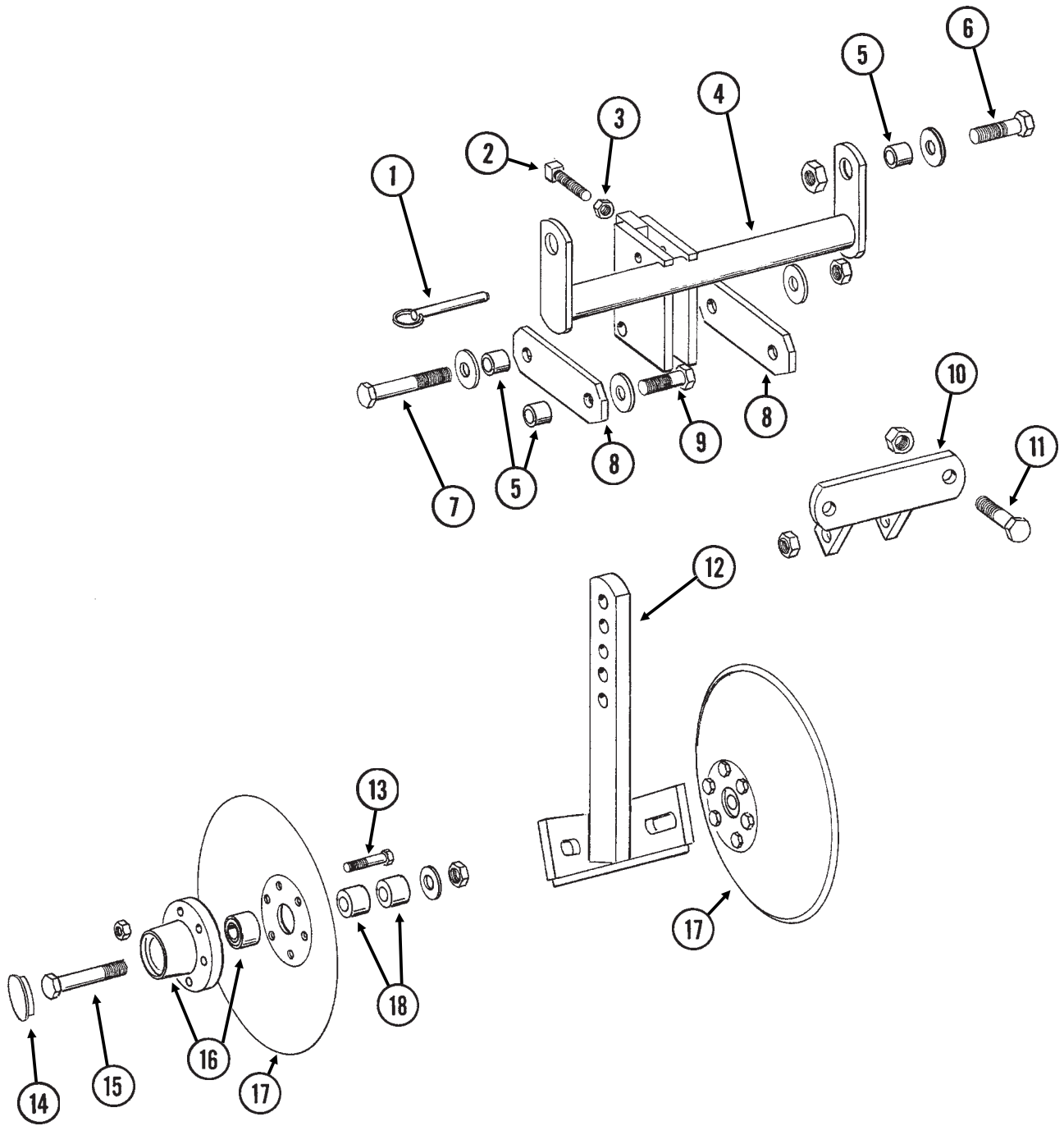


ROW UNIT MOUNTED BED LEVELER

ITEM	PART NO.	QTY. (Per Row)	DESCRIPTION
1.	G10536	1	Detent Pin, 1/2" x 2 1/2" Grip
2.	G10597	1	Square Head Set Screw, 5/8"-11 x 2 1/4"
3.	G10503	1	Hex Jam Nut, 5/8"-11, Grade 2
4.	GA5719	1	Mounting Bracket
5.	GD7889	6	Bushing, 1" O.D. x 9/16" I.D. x 7/16" Long
6.	G10039	2	Hex Head Cap Screw, 1/2"-13 x 1 3/4"
	GD14674	2	Special Washer, 1/2", Hardened
	G10111	2	Lock Nut, 1/2"-13
7.	G10585	1	Hex Head Cap Screw, 1/2"-13 x 3 1/4"
	G10216	2	Washer, 1/2" USS
	G10111	1	Lock Nut, 1/2"-13
8.	GD7890	2	Link
9.	G10017	2	Hex Head Cap Screw, 1/2"-13 x 1 1/2"
	G10216	2	Washer, 1/2" USS
	G10111	2	Lock Nut, 1/2"-13
10.	GA5715	1	Anchor
11.	G10017	2	Hex Head Cap Screw, 1/2"-13 x 1 1/2"
	G10111	2	Lock Nut, 1/2"-13
12.	GA5892	1	Leveler
13.	G10303	6	Carriage Bolt, 5/16"-18 x 1"
	G10219	4	Washer, 5/16" USS
	G10109	6	Lock Nut, 5/16"-18, Grade 8
14.	GD8266	2	Blade

ROW UNIT MOUNTED DISC FURROWER

RUA059/RUA058(RU99/RU98g)

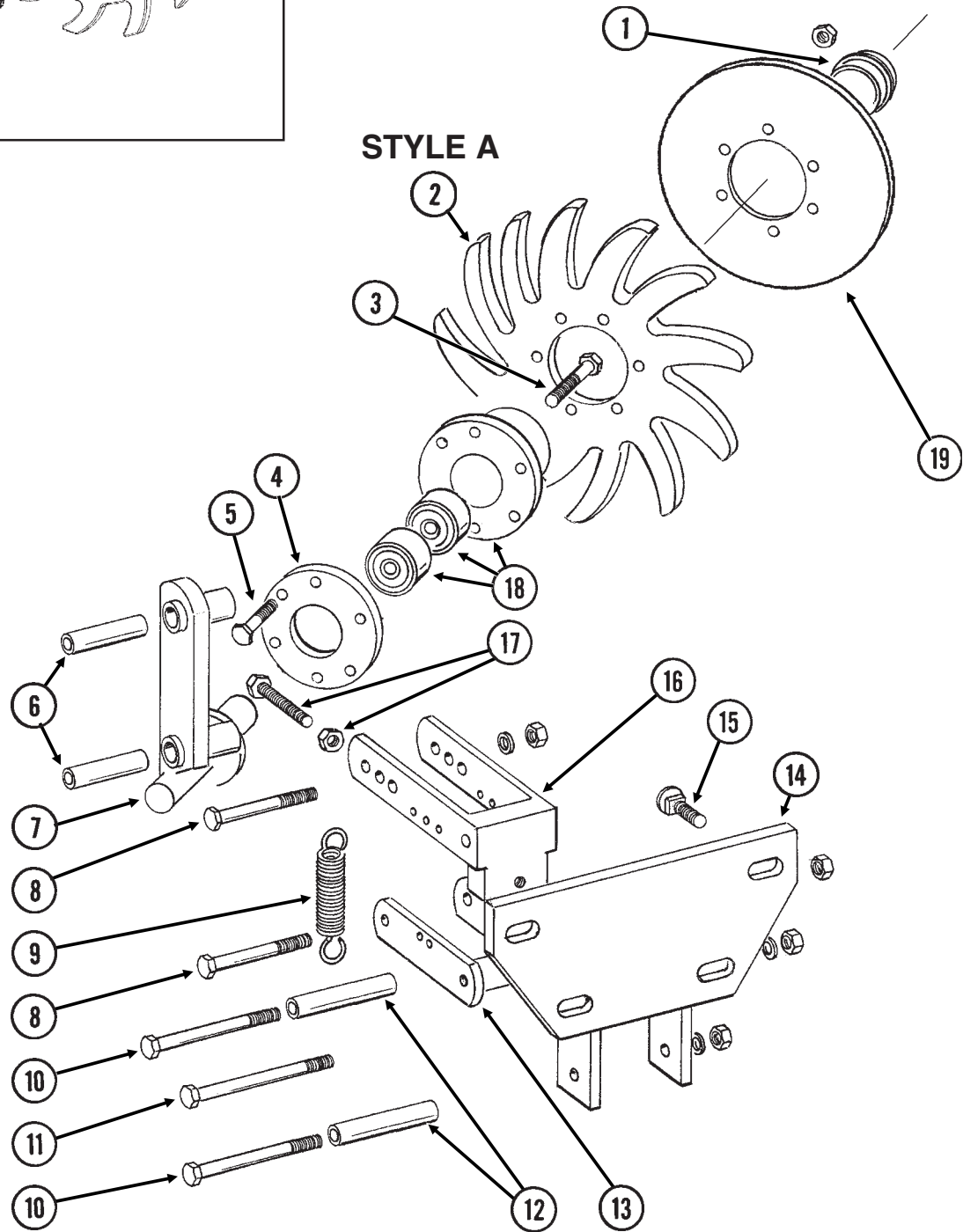
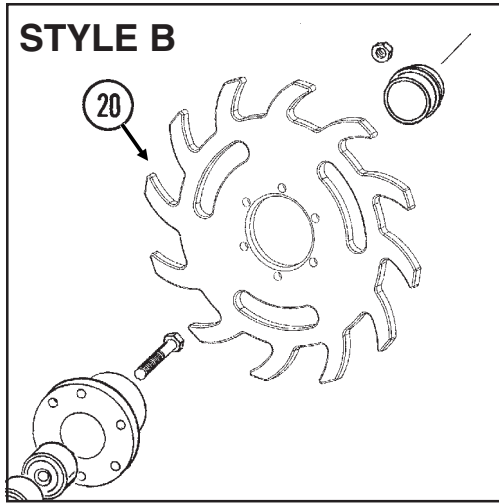


ROW UNIT MOUNTED DISC FURROWER

ITEM	PART NO.	QTY. (Per Row)	DESCRIPTION
1.	G10536	1	Detent Pin, 1/2" x 2 1/2" Grip
2.	G10597	1	Square Head Set Screw, 5/8"-11 x 2 1/4"
3.	G10503	1	Hex Jam Nut, 5/8"-11, Grade 2
4.	GA5719	1	Mounting Bracket
5.	GD7889	6	Bushing, 1" O.D. x 9/16" I.D. x 7/16" Long
6.	G10039	2	Hex Head Cap Screw, 1/2"-13 x 1 3/4"
	GD14674	2	Special Washer, 1/2", Hardened
	G10111	2	Lock Nut, 1/2"-13
7.	G10585	1	Hex Head Cap Screw, 1/2"-13 x 3 1/4"
	G10216	2	Washer, 1/2" USS
	G10111	1	Lock Nut, 1/2"-13
8.	GD7890	2	Link
9.	G10017	2	Hex Head Cap Screw, 1/2"-13 x 1 1/2"
	G10216	2	Washer, 1/2" USS
	G10111	2	Lock Nut, 1/2"-13
10.	GA5715	1	Anchor
11.	G10017	2	Hex Head Cap Screw, 1/2"-13 x 1 1/2"
	G10111	2	Lock Nut, 1/2"-13
12.	GA5718	1	Support Arm
13.	G10572	6	Truss Head Slotted Machine Screw, 5/16"-18 x 7/8"
	G10106	6	Hex Nut, 5/16"-18
14.	GD1132	2	Dust Cap
15.	G10318	2	Hex Head Cap Screw, 5/8"-11 x 4 1/2"
	GD7805	2	Special Washer, 5/8", Hardened
	G10107	2	Lock Nut, 5/8"-11
16.	GA5654	2	Hub W/Bearings
	GA2014	-	Bearing
17.	GD7823	-	Disc Blade, Solid, 12" (Shown)
	GD8307	-	Disc Blade, Notched, 12"
18.	GD7817-01	2	Spacer, 1 1/16" I.D. x 3/4" Long
	GD7817-04	2	Spacer, 1 1/16" I.D. x 1/2" Long

ROW UNIT MOUNTED RESIDUE WHEEL

(RU103dd/RU103d)



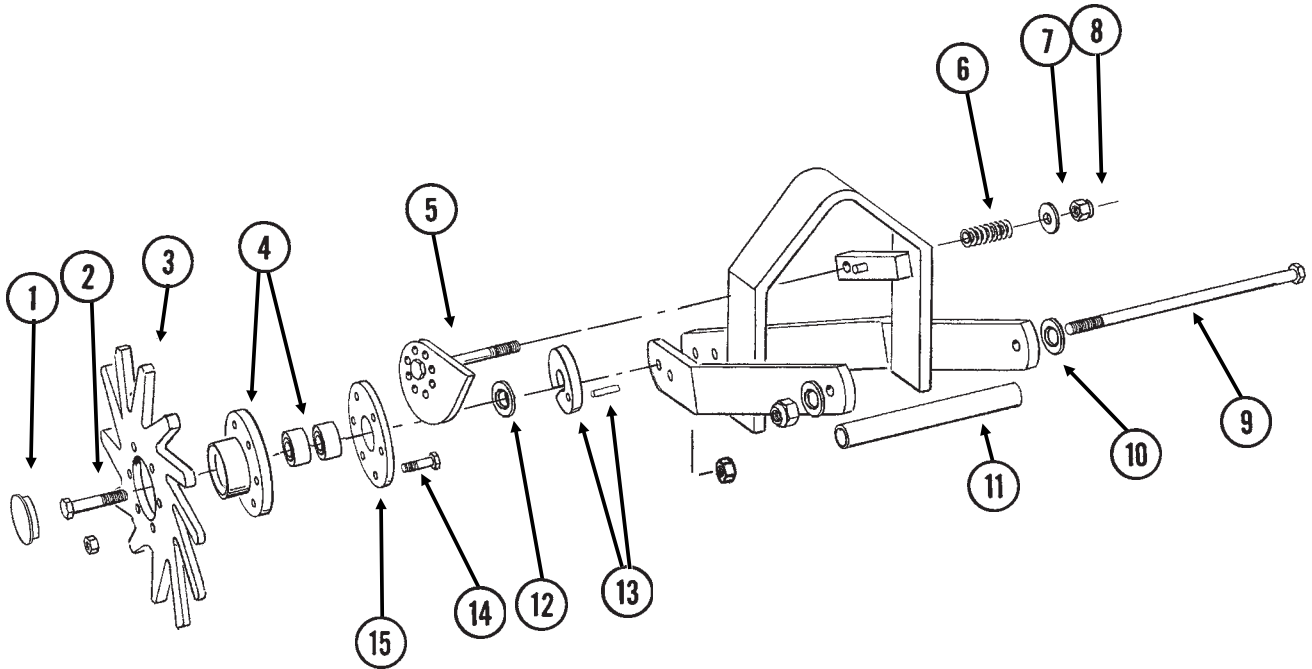
ROW UNIT MOUNTED RESIDUE WHEEL

ITEM	PART NO.	QTY. (Per Row)	DESCRIPTION
1.	GD1132	1	Dust Cap
2.	GD10552	1	Wheel, 12 Tine, $\frac{3}{8}$ " x 12"
3.	G10006	1	Hex Head Cap Screw, $\frac{5}{8}$ "-11 x 2 $\frac{1}{4}$ "
4.	GD9724	1	Backing Plate
5.	G10133	6	Hex Head Cap Screw, $\frac{5}{16}$ "-18 x 1 $\frac{1}{2}$ "
	G10109	6	Lock Nut, $\frac{5}{16}$ "-18, Grade 8
6.	GD9720	2	Spacer, $\frac{1}{2}$ " x 2 $\frac{3}{16}$ " Long
7.	GA6838	1	Wheel Mount
8.	G10033	2	Hex Head Cap Screw, $\frac{1}{2}$ "-13 x 3 $\frac{1}{2}$ "
	G10228	2	Lock Washer, $\frac{1}{2}$ "
	G10102	2	Hex Nut, $\frac{1}{2}$ "-13
9.	GD5857	2	Spring
10.	G10045	2	Hex Head Cap Screw, $\frac{1}{2}$ "-13 x 4 $\frac{1}{2}$ "
	G10228	2	Lock Washer, $\frac{1}{2}$ "
	G10102	2	Hex Nut, $\frac{1}{2}$ "-13
11.	G10348	1	Hex Head Cap Screw, $\frac{1}{2}$ "-13 x 5" (Lockup Bolt)
	G10111	1	Lock Nut, $\frac{1}{2}$ "-13
12.	GD9715	2	Spacer, $\frac{1}{2}$ " x 3" Long
13.	GA6834	1	Lower Link
14.	GA6832	1	Mount
15.	G10574	4	Carriage Bolt, $\frac{1}{2}$ "-13 x 1 $\frac{1}{4}$ "
	G10111	4	Lock Nut, $\frac{1}{2}$ "-13
16.	GA6833	1	Upper Link
17.	G10371	1	Hex Head Cap Screw, $\frac{1}{2}$ "-13 x 3", Full Thread
	G10501	1	Hex Jam Nut, $\frac{1}{2}$ "-13, Grade 2
18.	GA5654	1	Hub W/Bearings
	GA2014	-	Bearing
19.	GD12534	-	Cover
20.	GB0387	1	Wheel, 12 Tine, $\frac{3}{8}$ " x 12"
A.	GA7446	-	Wheel Assembly, 12 Tine, R.H. (Items 2, 4, 5 And 18)
B.	GA12236	-	Wheel Assembly, 12 Tine, R.H. (Items 4, 5, 18 And 20)

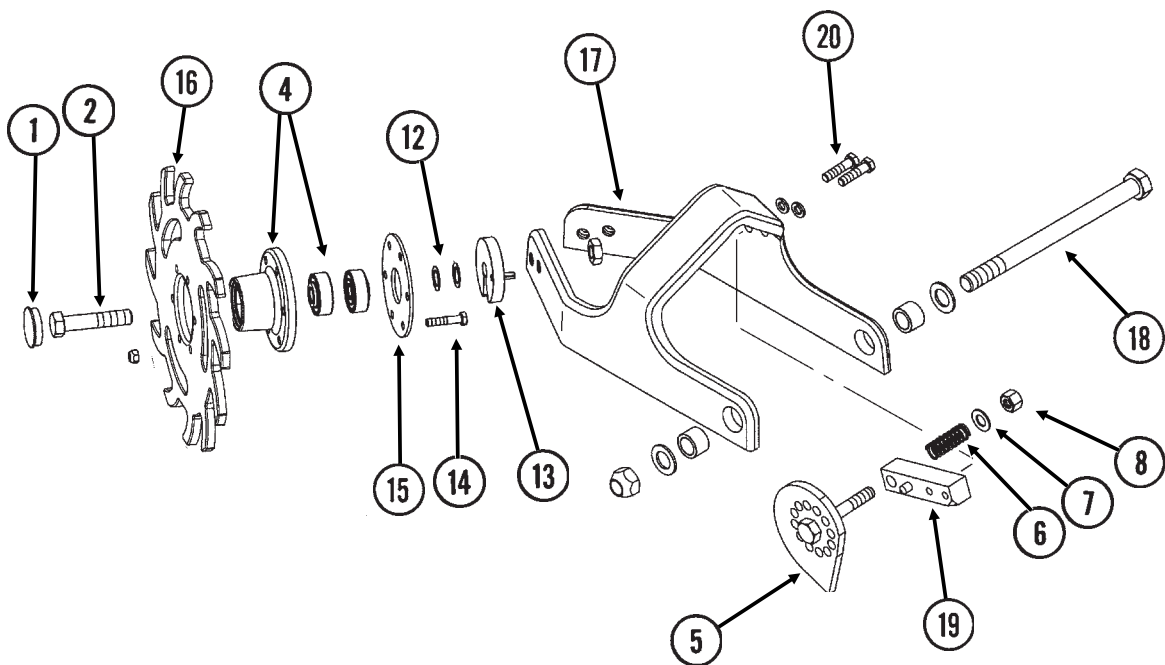
COULTER MOUNTED RESIDUE WHEELS

(RU104uuu/RU153)

STYLE A - Used With Style A Row Unit Mounted No Till Coulter



STYLE B - Used With Style B Row Unit Mounted No Till Coulter

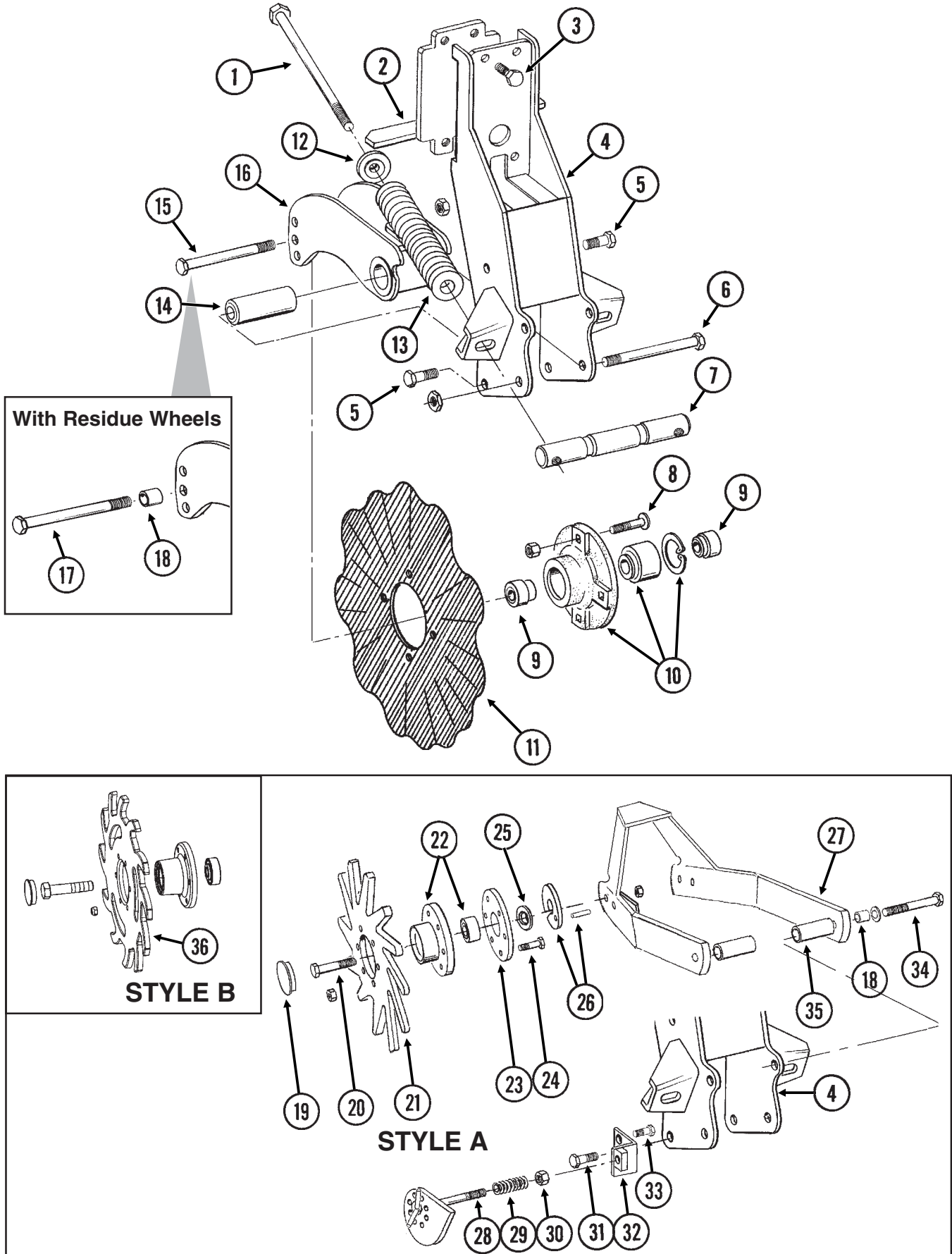


COULTER MOUNTED RESIDUE WHEELS

ITEM	PART NO.	QTY. (Per Row)	DESCRIPTION
1.	GD1132	2	Dust Cap
2.	G10010	2	Hex Head Cap Screw, 5/8"-11 x 3"
	G10503	2	Hex Jam Nut, 5/8"-11, Grade 2
3.	GD10552	2	Wheel, 12 Tine, 3/8" x 12"
4.	GA5654	2	Hub W/Bearings
	GA2014	-	Bearing
5.	GA7412	1	Cam
6.	GD10519	1	Spring
7.	G10206	1	Washer, 1/2" SAE
8.	G10974	1	Lock Nut W/Nylon Insert, 1/2"-13
9.	G11098	1	Hex Head Cap Screw, 1/2"-13 x 9 1/2", Grade 8
	GD14674	2	Special Washer, 1/2", Hardened
	G10974	1	Lock Nut W/Nylon Insert, 1/2"-13
10.	GA7271	1	Mount
11.	GD10526	1	Sleeve, 7 1/2"
12.	G10213	2-4	Machine Bushing, 5/8" (.030" Thick)
13.	GA8760	2	Weed Guard W/Spring Pin
	G10765	-	Spring Pin, 1/4" x 1"
14.	G10133	12	Hex Head Cap Screw, 5/16"-18 x 1 1/2"
	G10109	12	Lock Nut, 5/16"-18, Grade 8
15.	GD9724	2	Backing Plate
16.	GB0387	2	Wheel, 12 Tine, 3/8" x 12"
17.	GB0401	1	Mount
18.	G11236	1	Hex Head Cap Screw, 3/4"-10 x 10 1/2"
	GB0383	2	Bushing, 1 1/8" O.D. x 25/32" I.D. x 3/4" Long
	G10194	2	Washer, 3/4" SAE
	G11228	1	Lock Nut, 3/4"-10
19.	GA12256	1	Locking Pin
20.	G10003	2	Hex Head Cap Screw, 3/8"-16 x 1 1/2"
	G10229	2	Lock Washer, 3/8"
A.	GA7446	-	Wheel Assembly, 12 Tine, R.H. (Items 3, 4, 14 And 15) (Shown)
	GA7445	-	Wheel Assembly, 12 Tine, L.H. (Items 3, 4, 14 And 15)
B.	GA12236	-	Wheel Assembly, 12 Tine, R.H. (Items 4, 14, 15 And 16) (Shown)
	GA12235	-	Wheel Assembly, 12 Tine, L.H. (Items 4, 14, 15 And 16)

FRAME MOUNTED COULTER W/RESIDUE WHEELS

(RU135c/RU135g/RU153b/RU135hh)

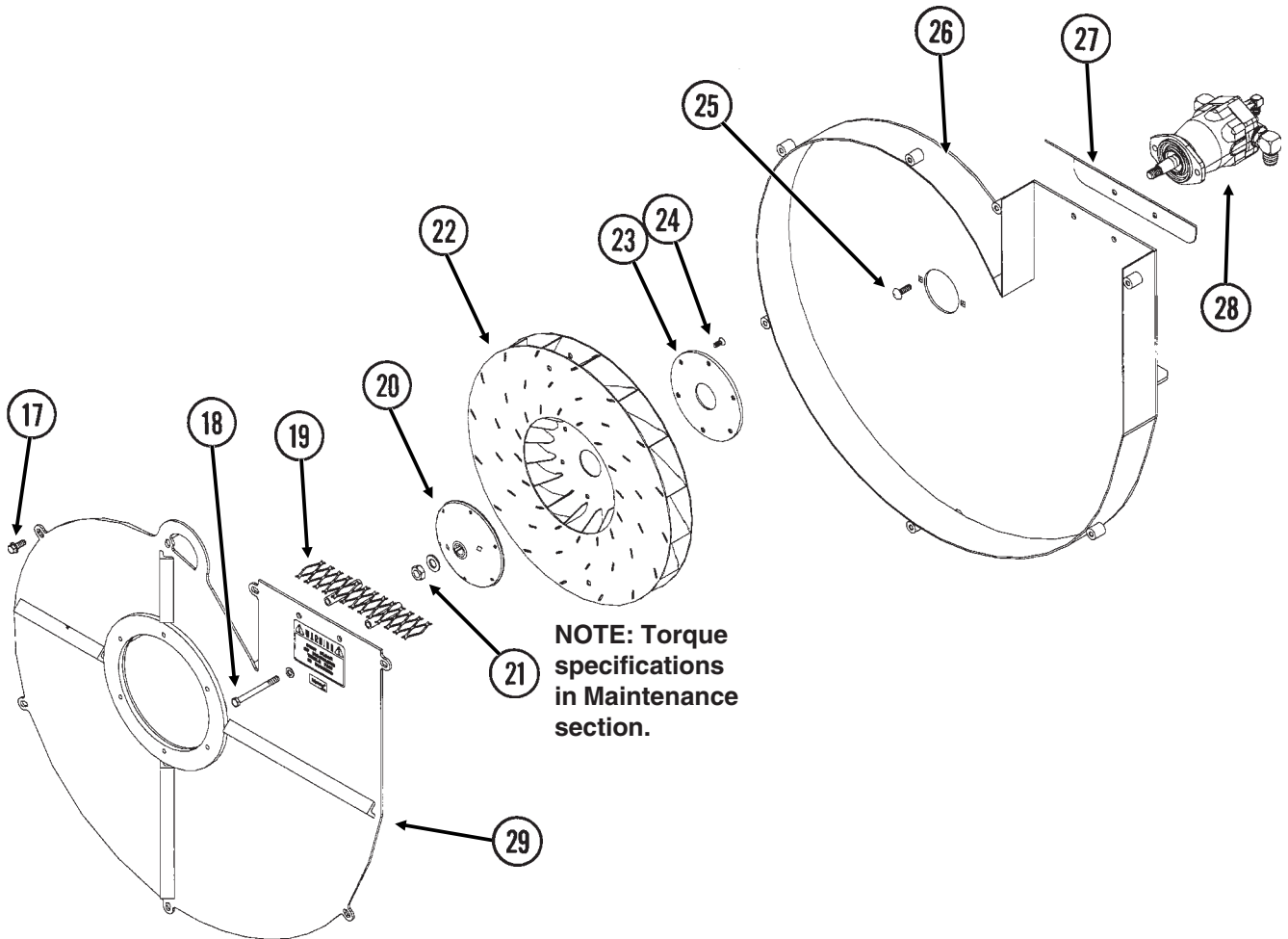
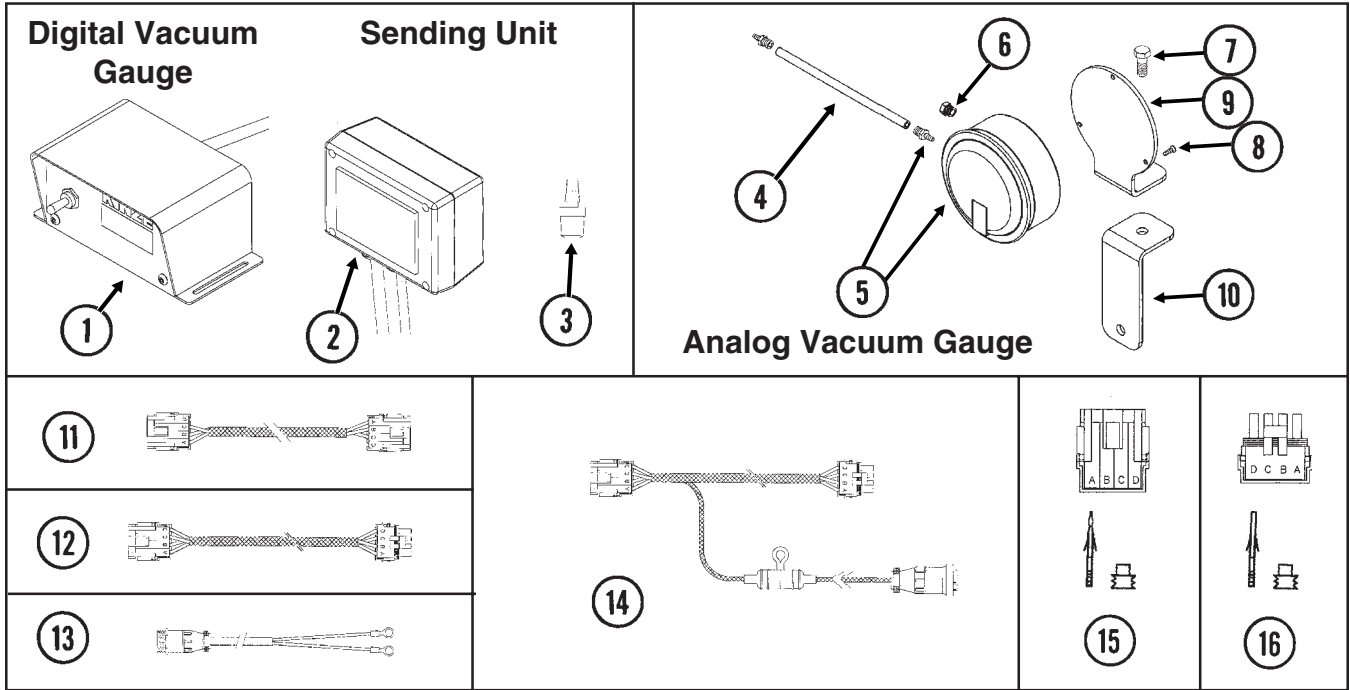


FRAME MOUNTED COULTER W/RESIDUE WHEELS

ITEM	PART NO.	QTY. (Per Row)	DESCRIPTION
1.	G11010	2	Hex Head Cap Screw, 3/4"-10 x 12"
2.	GA9844	1	Plate W/Angle
3.	G10039	4	Hex Head Cap Screw, 1/2"-13 x 1 3/4"
4.	GA9131	1	Coulter Frame
5.	G10007	4	Hex Head Cap Screw, 5/8"-11 x 1 1/2"
	G10107	4	Lock Nut, 5/8"-11
6.	G10400	1	Hex Head Cap Screw, 3/4"-10 x 6 1/2"
	G10112	1	Lock Nut, 3/4"-10
7.	GD12826	1	Spring Anchor Bar
8.	G10574	4	Carriage Bolt, 1/2"-13 x 1 1/4"
	G10111	4	Lock Nut, 1/2"-13
9.	GD12827	2	Adapter
10.	GA8641	1	Hub W/Bearing And Retaining Ring
	GA8603	1	Bearing, Double Row
	GD11652	1	Retaining Ring, 2 7/16"
11.	GD7803	1	Disc Blade, Fluted, 1", 8 Flutes (Shown)
	GD7804	-	Disc Blade, Bubbled, 1"
	GD9254	-	Disc Blade, Fluted, 3/4", 13 Flutes
12.	GB0213	2	Spring Seat
13.	GD12817	2	Compression Spring
14.	GD12829	1	Sleeve
15.	G10046	1	Hex Head Cap Screw, 5/8"-11 x 5"
	G10107	1	Lock Nut, 5/8"-11
16.	GA9845	1	Coulter Arm W/Grease Fitting
	G10643	-	Grease Fitting, 45°, 1/4"-28
17.	G10011	1	Hex Head Cap Screw, 5/8"-11 x 5 1/2"
	G10107	1	Lock Nut, 5/8"-11
18.	GB0218	3	Bushing, 2 1/32" I.D. x 7/8" O.D. x 19/32" Long
19.	GD1132	2	Dust Cap
20.	G10010	2	Hex Head Cap Screw, 5/8"-11 x 3"
	G10503	2	Hex Jam Nut, 5/8"-11, Grade 2
21.	GD10552	2	Wheel, 12 Tine, 3/8" x 12"
22.	GA5654	2	Hub W/Bearings
	GA2014	-	Bearing
23.	GD9724	2	Backing Plate
24.	G10133	12	Hex Head Cap Screw, 5/16"-18 x 1 1/2"
	G10109	12	Lock Nut, 5/16"-18, Grade 8
25.	G10213	2	Machine Bushing, 5/8" (.030" Thick)
26.	GA9862	2	Weed Guard W/Spring Pin
	G10765	-	Spring Pin, 1/4" x 1"
27.	GA9865	1	Mount
28.	GA9861	1	Cam
29.	GD10519	1	Spring
30.	G10974	1	Lock Nut W/Nylon Insert, 1/2"-13
31.	G10005	1	Hex Head Cap Screw, 5/8"-11 x 1 3/4"
	G10107	4	Lock Nut, 5/8"-11
32.	GA9864	1	Support
33.	G10014	1	Hex Head Cap Screw, 1/2"-13 x 1"
	G10102	1	Hex Nut, 1/2"-13
34.	G10011	2	Hex Head Cap Screw, 5/8"-11 x 5 1/2"
	G10205	2	Washer, 5/8" SAE
	G10730	2	Lock Nut W/Nylon Insert, 5/8"-11
35.	GD14170	2	Sleeve, 3"
36.	GB0386	2	Wheel, 12 Tine, 3/8" x 12"
A.	GA7446	-	Wheel Assembly, 12 Tine, R.H. (Items 21-24) (Shown)
	GA7445	-	Wheel Assembly, 12 Tine, L.H. (Items 21-24)
B.	GA12236	-	Wheel Assembly, 12 Tine, R.H. (Items 22, 23, 24 And 36) (Shown)
	GA12235	-	Wheel Assembly, 12 Tine, L.H. (Items 22, 23, 24 And 36)

DIGITAL VACUUM GAUGE, ANALOG VACUUM GAUGE AND VACUUM FAN ASSEMBLY

(A11154/A11156/GR1736/A10765/A11158/A11699/A7856/A11155/A8329/EF73)

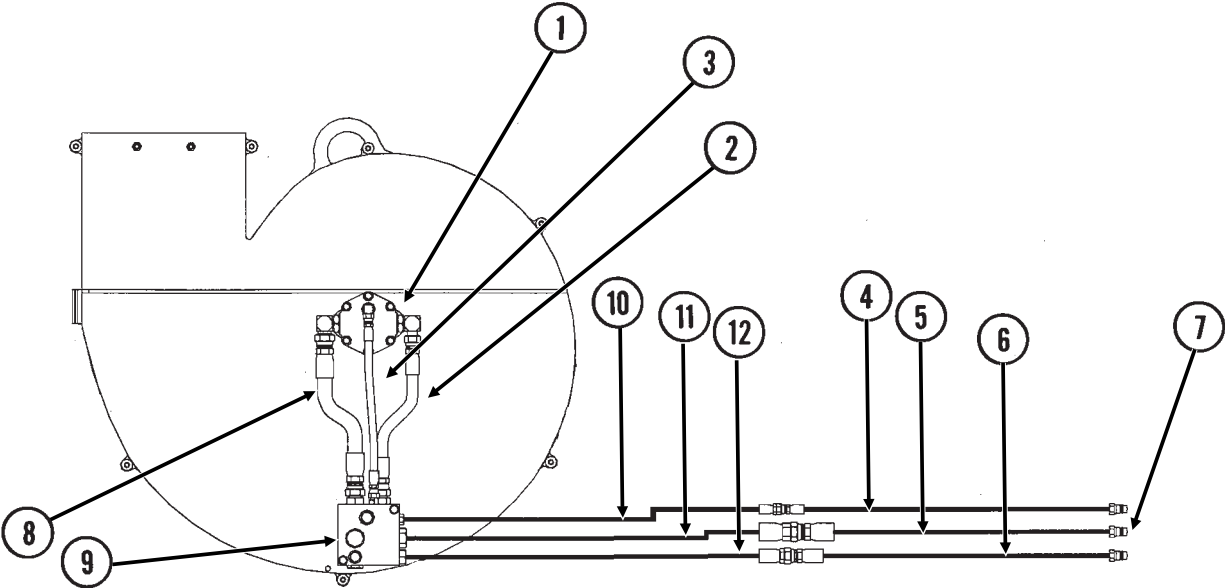


DIGITAL VACUUM GAUGE, ANALOG VACUUM GAUGE AND VACUUM FAN ASSEMBLY

ITEM	PART NO.	QTY.	DESCRIPTION
1.	GA11154	1	Digital Vacuum Gauge W/4-Pin Connector
2.	GA11156	1	Sending Unit W/1/4" Tubing And Harness W/4-Pin Male Connector
	GD16324-01	-	Tubing, 1/4" x 45"
	GA9964	-	Strain Relief
3.	GR1736	1	Hose Barb, 1/8" To 1/8" NPT
4.	GD15849-02	1	Clear Tube, 5/16" O.D. x 3/16" I.D. x 120"
5.	GA10765	1	Analog Vacuum Gauge W/Hose Barb
	GR1777	-	Hose Barb, 3/16" To 1/8" NPT
6.	GA10799	1	Breather, 1/8" Male NPT
7.	G10001	1	Hex Head Cap Screw, 3/8"-16 x 1"
	G10108	1	Lock Nut, 3/8"-16
8.	G11215	3	Hex Socket Head Cap Screw, No. 6-32 x 3/8", Grade 8
9.	GD15804	1	Mount
10.	GD15803	1	Support
11.	GA11917	1	Harness, 240"
12.	GA11699	-	Extension Harness, 180"
13.	GA7856	-	Power Lead Adapter
14.	GA11155	1	Harness W/Fuse Holder And Fuse, 132"
	GD14258	-	Fuse Holder
	GD14660	-	Fuse, 2 Amp Delay Action
	G1K268	-	Cable Connector Kit, Includes: (1) 3-Pin Connector, (1) Cable Clamp, (1) Lock Ring, (3) Female Terminal Pins
15.	GA8328	-	4-Pin Connector W/Female Housing, 4 Seals And 4 Pin Contacts
16.	GA8329	-	4-Pin Connector W/Male Housing, 4 Seals And 4 Socket Contacts
17.	G11124	7	Whiz Lock Bolt, 3/8"-18 x 1"
18.	G10063	2	Hex Head Cap Screw, 3/8"-16 x 4"
	G10203	2	Washer, 3/8" SAE
	G10108	2	Lock Nut, 3/8"-16
19.	GA11987	2	Screen
20.	GD15790	1	Hub
21.	G10499	1	Hex Jam Nut, 5/8"-18, Grade 2
	G10205	1	Washer, 5/8" SAE
22.	GA10635	1	Impeller
23.	GD15789	1	Backing Plate
24.	G11133	6	Hex Socket Head Cap Screw, 5/16"-18 x 3/4", Grade 8
25.	G10599	2	Carriage Bolt, 3/8"-16 x 1 1/4"
	G10229	2	Lock Washer, 3/8"
	G10101	2	Hex Nut, 3/8"-16
26.	GA10148	1	Shroud
27.	GD15863	1	Discharge Deflector
28.		-	See "Vacuum Fan Hydraulic Motor Assembly", Page P36
29.	GA10752	1	Cover
A.	GA10143	-	Vacuum Fan Assembly (Items 17-29)

VACUUM FAN HYDRAULIC COMPONENTS

(PLTR176a)



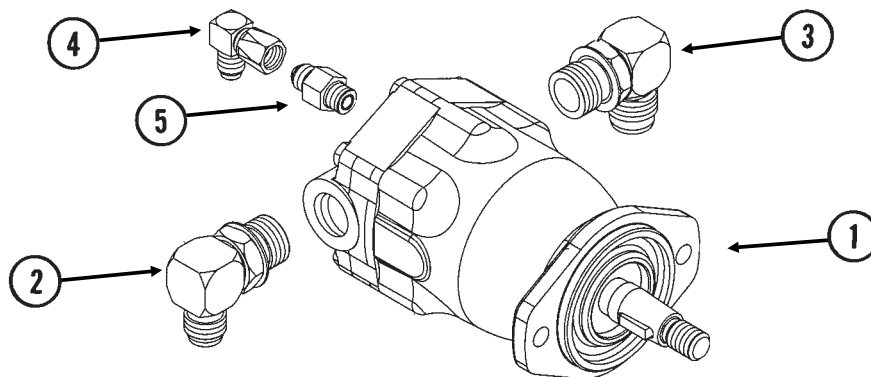
VACUUM FAN HYDRAULIC COMPONENTS

ITEM	PART NO.	QTY.	DESCRIPTION
1.		-	See "Vacuum Fan Hydraulic Motor Assembly", Page P36
2.	*A8294	1	Hose Assembly, 1/2" x 19"
3.	*A12011	1	Hose Assembly, 3/8" x 20"
4.	*A12012	1	Hose Assembly, 3/8" x 108"
5.	*A3396	1	Hose Assembly, 3/4" x 108"
6.	*A1414	1	Hose Assembly, 1/2" x 108"
7.	GD4086	-	ISO Coupler
8.	*A3395	1	Hose Assembly, 3/4" x 17"
9.		-	See "Vacuum Fan Motor Valve Block Assembly (Located Below Vacuum Fan Assembly)", Page P37
10.	*A12013	1-2	Hose Assembly, 3/8" x 114"
11.	*A3397	1-2	Hose Assembly, 3/4" x 114"
12.	*A8295	1-2	Hose Assembly, 1/2" x 114"

* Hydraulic hose is not stocked by KINZE® Repair Parts, but can be made available on a special order basis. Call for quote.

VACUUM FAN HYDRAULIC MOTOR ASSEMBLY

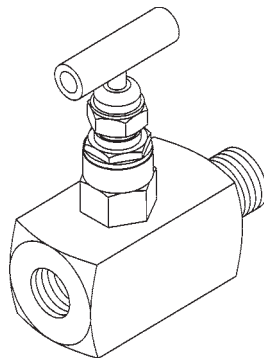
(METR21a)



ITEM	PART NO.	QTY.	DESCRIPTION
1.	GA10149 GR1734	1 -	Hydraulic Motor Seal Kit
2.	G6801-10-12 GR1467	1 -	Elbow W/O-Ring, 90°, 7/8"-14 Male JIC To 1 1/16"-12 O-Ring O-Ring
3.	G6801-12 GR1467	1 -	Elbow W/O-Ring, 90°, 1 1/16"-12 Male JIC To O-Ring O-Ring
4.	G6500-06	1	Swivel Elbow, 90°, 9/16"-18 Male JIC To Female
5.	G6400-06 GR1045	1 -	Connector W/O-Ring, 9/16"-18 Male JIC To O-Ring O-Ring

OPTIONAL FLOW CONTROL NEEDLE VALVE KIT

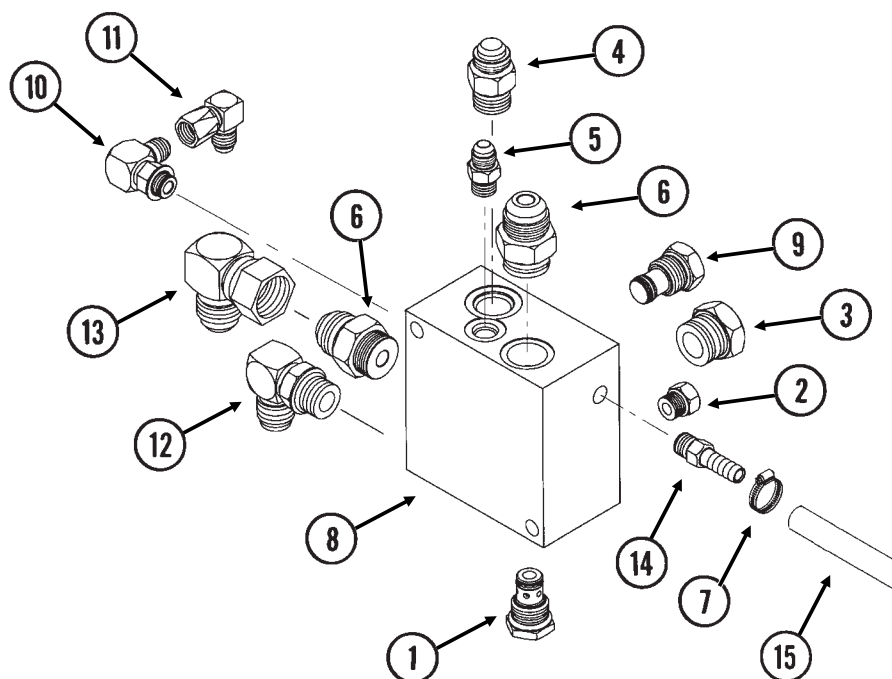
(A11650)



ITEM	PART NO.	QTY.	DESCRIPTION
1.	G1K426	-	Needle Valve Kit W/Instructions

VACUUM FAN MOTOR VALVE BLOCK ASSEMBLY (Located Below Vacuum Fan Motor Assembly)

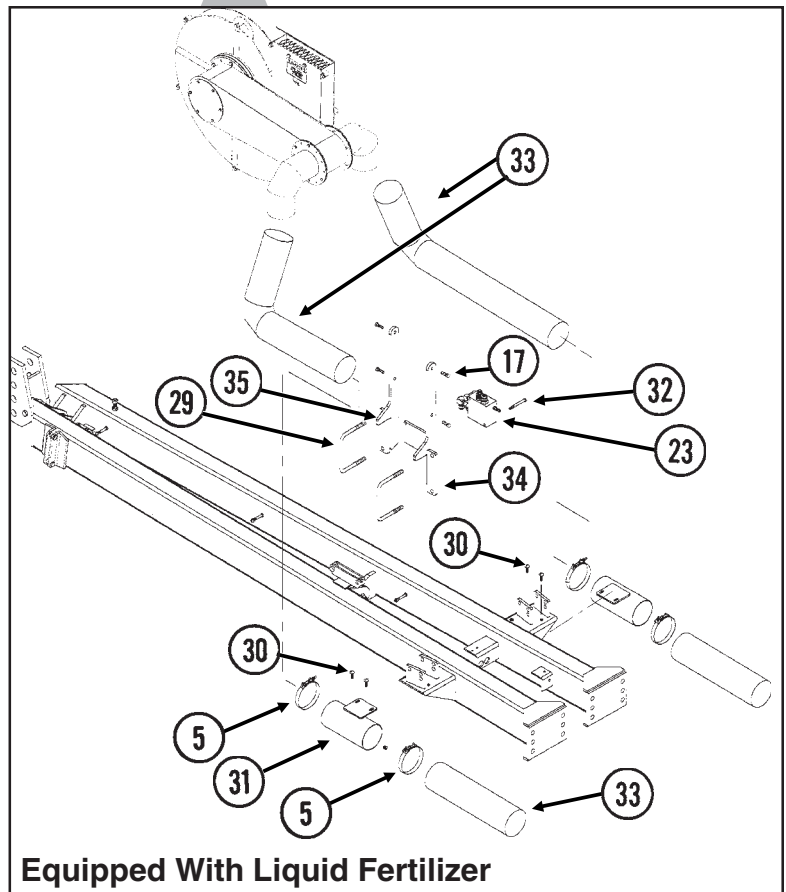
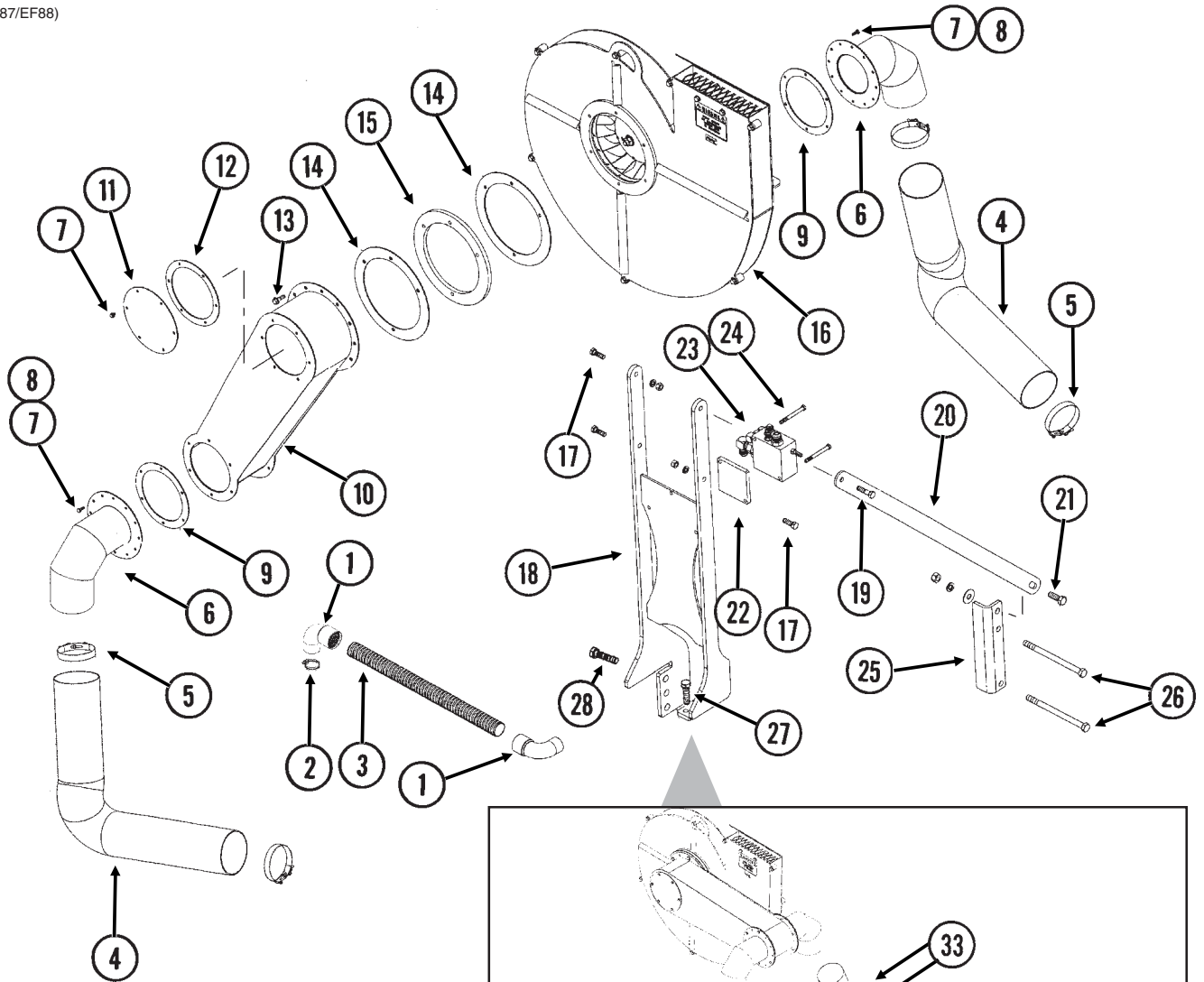
(A11958)



ITEM	PART NO.	QTY.	DESCRIPTION
1.	GA4293	1	Check Valve
	GR0764	-	Seal Kit, Includes: (2) O-Rings, (1) BU Ring
2.	G6408-06	1	Plug W/O-Ring, $\frac{9}{16}$ "-18 O-Ring
	GR1045	-	O-Ring
3.	G6408-12	1	Plug W/O-Ring, 1 $\frac{1}{16}$ "-12 O-Ring
	GR1467	-	O-Ring
4.	G6400-10	1	Connector W/O-Ring, $\frac{7}{8}$ "-14 Male JIC To O-Ring
	GR1466	-	O-Ring
5.	G6400-06	1	Connector W/O-Ring, $\frac{9}{16}$ "-18 Male JIC To O-Ring
	GR1045	-	O-Ring
6.	G6400-12	2	Connector W/O-Ring, 1 $\frac{1}{16}$ "-12 Male JIC To O-Ring
	GR1467	-	O-Ring
7.	G10681	1	Hose Clamp, No. 6
8.	GD16188	1	Valve Block
9.	GA11934	1	Relief Valve Cartridge
10.	G6801-06	1	Elbow W/O-Ring, 90°, $\frac{9}{16}$ "-18 Male JIC To O-Ring
	GR1045	-	O-Ring
11.	G6500-06	1	Swivel Elbow, 90°, $\frac{9}{16}$ "-18 Male JIC To Female
12.	G6801-10	1	Elbow W/O-Ring, 90°, $\frac{7}{8}$ "-14 Male JIC To O-Ring
	GR1466	-	O-Ring
13.	G6500-12	1	Swivel Elbow, 90°, 1 $\frac{1}{16}$ "-12 Male JIC To Female
14.	GD11700	1	Adapter, $\frac{1}{4}$ " NPT To $\frac{3}{8}$ " Barb
15.	GD6279-05	1	Clear Plastic Tubing, $\frac{9}{16}$ " O.D. x 60"

VACUUM FAN MOUNTING BRACKETS AND DISTRIBUTION HOSES

(EF87/EF88)



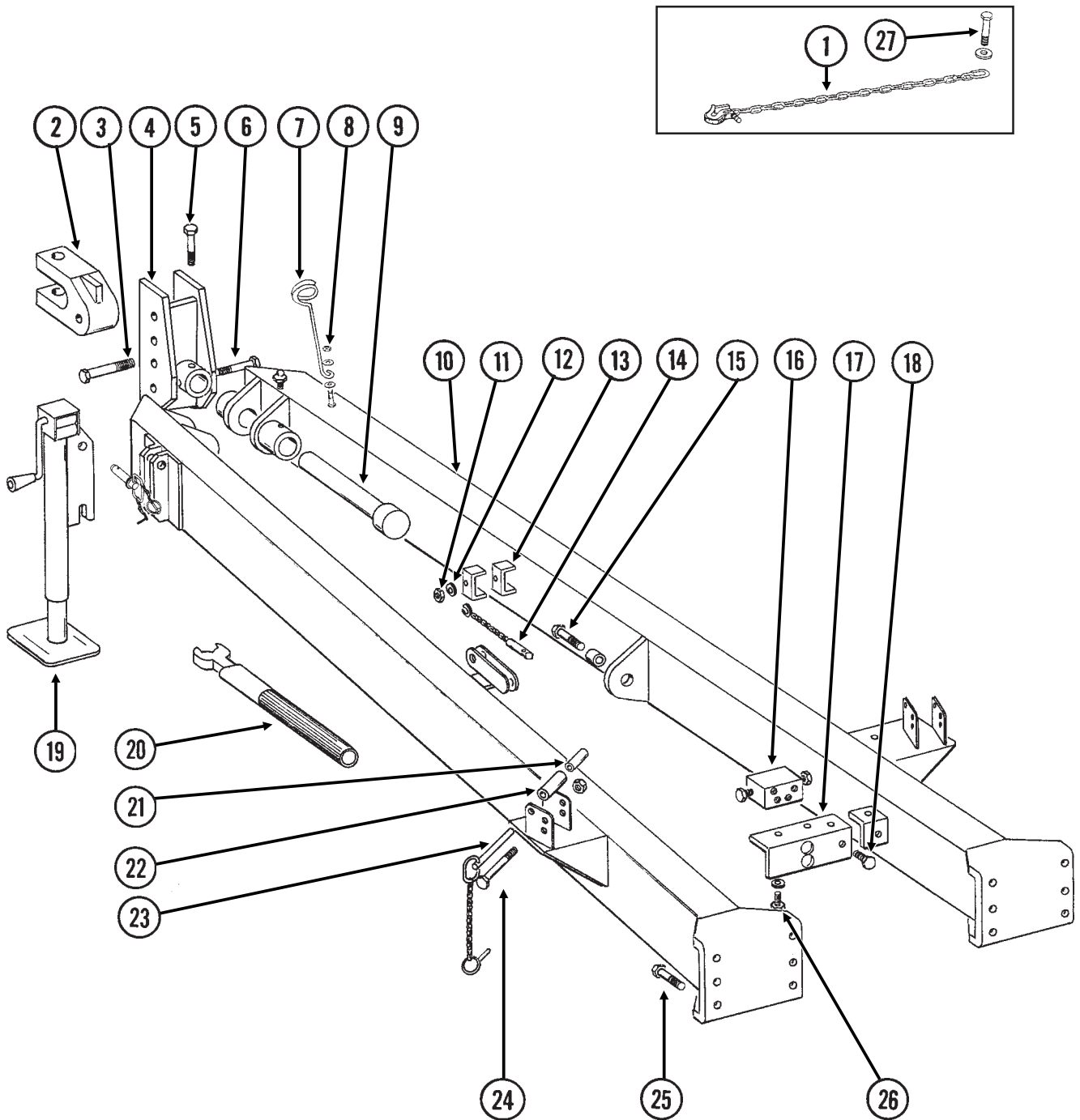
Equipped With Liquid Fertilizer

VACUUM FAN MOUNTING BRACKETS AND DISTRIBUTION HOSES

ITEM	PART NO.	QTY.	DESCRIPTION
1.	GD14626	24	Elbow, 90°, 2"
2.	G10676	-	Hose Clamp. No. 36
3.	GD15792-19	10	Hose, 2" x 34"
	GD15792-20	2	Hose, 2" x 36"
4.	GD15867-03	2	Hose, 5" x 36"
5.	G11188	4	T-Bolt Clamp, 5 1/4"
6.	GA11940	2	Manifold Elbow
7.	G11166	10	Whix Lock Bolt, 1/4"-20 x 3/4"
8.	G10023	8	Hex Head Cap Screw, 1/4"-20 x 3/4"
	G10110	8	Lock Nut, 1/4"-20, Grade B
9.	GD16842	2	Manifold Gasket, 1/8" x 8 3/8" (6 5/8" I.D.)
10.	GA11945	1	Fan Drop Housing
11.	GD16840	1	Cover
12.	GD16991	1	Cover Gasket, 1/8" x 8 3/8" (6 1/2" I.D.)
13.	G11204	4	Hex Head Cap Screw, 3/8"-16 x 1 1/4"
14.	GD16992	2	Gasket, 1/8" x 11 7/8"
15.	GD16839	1	Spacer, 1/2" x 12"
16.		-	See "Digital Vacuum Gauge, Analog Vacuum Gauge And Vacuum Fan Assembly", Pages P32 And P33
17.	G10017	3-4	Hex Head Cap Screw, 1/2"-13 x 1 1/2"
	G10228	3-4	Lock Washer, 1/2"
	G10102	3-4	Hex Nut, 1/2"-13
18.	GA11946	1	Support
19.	G10016	1	Hex Head Cap Screw, 1/2"-13 x 2"
	G10228	1	Lock Washer, 1/2"
	G10102	1	Hex Nut, 1/2"-13
20.	GD17074	1	Brace
21.	G10005	1	Hex Head Cap Screw, 5/8"-11 x 1 3/4"
	G10217	1	Washer, 5/8" USS
	G10230	1	Lock Washer, 5/8"
	G10104	1	Hex Nut, 5/8"-11
22.	GD17073	1	Spacer, 4 1/2" x 4 1/2"
23.		-	See "Vacuum Fan Motor Valve Block Assembly (Located Below Vacuum Fan Motor Assembly)", Page P37
24.	G10326	2	Hex Head Cap Screw, 3/8"-16 x 3 3/4"
	G10229	2	Lock Washer, 3/8"
	G10101	2	Hex Nut, 3/8"-16
25.	GD16466	1	Bracket
26.	G10152	2	Hex Head Cap Screw, 5/8"-11 x 9"
	G10217	2	Washer, 5/8" USS
	G10230	2	Lock Washer, 5/8"
	G10104	1	Hex Nut, 5/8"-11
27.	G10039	2	Hex Head Cap Screw, 1/2"-13 x 1 3/4"
	G10228	2	Lock Washer, 1/2"
	G10102	2	Hex Nut, 1/2"-13
28.		-	See "Hitch And Safety Chain", Pages P40 And P41
29.	GD16598	2	U-Bolt, 4" x 7" x 5/8"-11
	G10230	2	Lock Washer, 5/8"
	G10104	2	Hex Nut, 5/8"-11
30.	G10599	4	Carriage Bolt, 3/8"-16 x 1 1/4"
	G10622	4	Serrated Flange Nut, 3/8"-16
31.	GA11961	2	Bracket (Manifold Hose)
32.	G10062	2	Hex Head Cap Screw, 3/8"-16 x 3"
33.	GD15867-06	4	Hose, 5" x 45"
34.	GA11959	1	Support, Rear
35.	GA11960	1	Support, Front

HITCH AND SAFETY CHAIN

PHA041(WGN47a/EF32c)

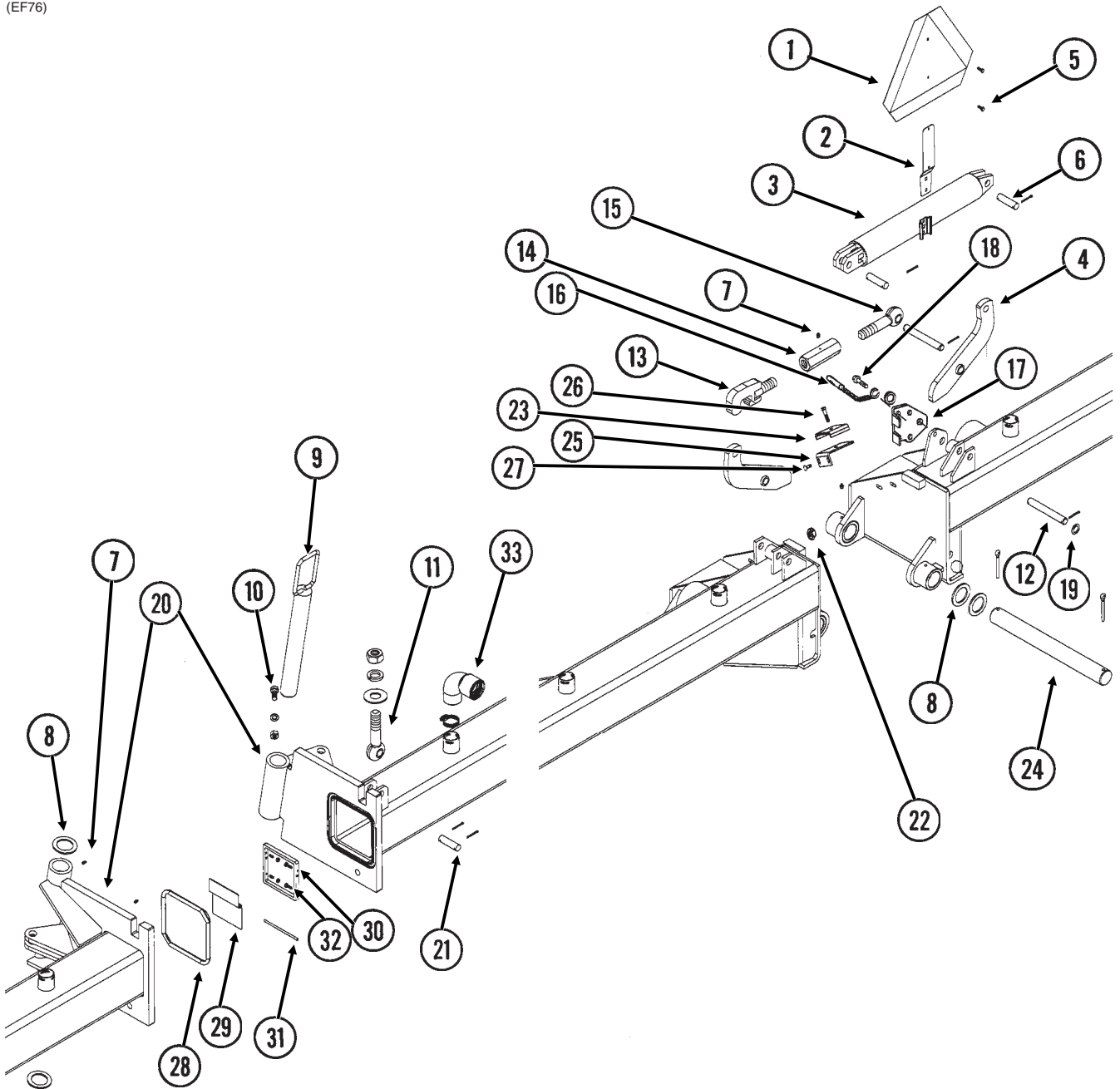


HITCH AND SAFETY CHAIN

ITEM	PART NO.	QTY.	DESCRIPTION
1.	GA4774	1	Safety Chain, 3/8"
	G1K411	-	Safety Chain Repair Kit, Includes: (1) Hook, (1) Flat Washer, (1) Latch Pin, (1) Safety Latch, (1) Spring And (1) Retaining Ring
2.	GB0156	1	Clevis
3.	G10169	1	Hex Head Cap Screw, 1 1/4"-7 x 6"
	G10157	1	Lock Nut, 1 1/4"-7
4.	GA8097	1	Hitch Cap
5.	G10036	1	Hex Head Cap Screw, 5/8"-11 x 4"
	G10230	1	Lock Washer, 5/8"
	G10104	1	Hex Nut, 5/8"-11
6.	G10011	1	Hex Head Cap Screw, 5/8"-11 x 5 1/2"
	G10230	1	Lock Washer, 5/8"
	G10104	1	Hex Nut, 5/8"-11
7.	GD8260	1	Hose Holder
8.	G10217	2	Washer, 5/8" USS
	G10107	1	Lock Nut, 5/8"-11
9.	GA5755	1	Pin, 2 1/8" x 14"
10.	A8048	1	Hitch W/Grease Fittings (Includes Items 4-7 And 11) (Non-Stock Item)
	G10641	-	Grease Fitting, 1/8" NPT
11.	G10108	3	Lock Nut, 3/8"-16
12.	G10210	-	Washer, 3/8" USS
13.	GD5875	6	Hose Clamp, 9/16" x 2 1/2" x 2"
14.	GA8318	1	Detent Pin W/Chain
15.	G10028	1	Hex Head Cap Screw, 3/4"-10 x 3"
	GB0169	1	Bushing
	G10112	1	Lock Nut, 3/4"-10
16.		-	See "Row Marker Sequencing/Flow Control Valve", Page P68
17.	GD7976	1	Bracket
18.	G10019	2	Hex Head Cap Screw, 5/16"-18 x 1"
	G10232	2	Lock Washer, 5/16"
	G10106	2	Hex Nut, 5/16"-18
19.	GA4994	1	Jack Assembly Complete
	GA4995	-	Detent Pin Assembly
	GR0517	-	Pin
	GR0516	-	Crank Assembly
	GR0515	-	Bevel Gear Set, Includes: (2) Bevel Gears, (1) Gear Pin, (1) Groove Pin
20.	GA6798	1	Wrench
21.	GD3180-23	-	Sleeve, 5/8" I.D. x 7/8" O.D. x 3 3/16" Long
22.	GD2734-13	-	Sleeve, 1 1/4" O.D. x 3 1/8" Long
23.	GA8312	-	Pin W/Lynch Pin, 5 1/2"
24.	G10011	-	Hex Head Cap Screw, 5/8"-11 x 5 1/2"
	G10107	2	Lock Nut, 5/8"-11
25.	G10028	12	Hex Head Cap Screw, 3/4"-10 x 3"
	G10231	12	Lock Washer, 3/4"
	G10105	12	Hex Nut, 3/4"-10
26.	G10001	2	Hex Head Cap Screw, 3/8"-16 x 1"
	G10210	2	Washer, 3/8" USS
27.	G11058	1	Hex Head Cap Screw, 1 1/4"-7 x 3"
	GD10646	1	Special Washer
	G10226	1	Washer, 1 1/4" SAE
	G10157	1	Lock Nut, 1 1/4"-7

FRAME/MANIFOLD ASSEMBLY

(EF76)

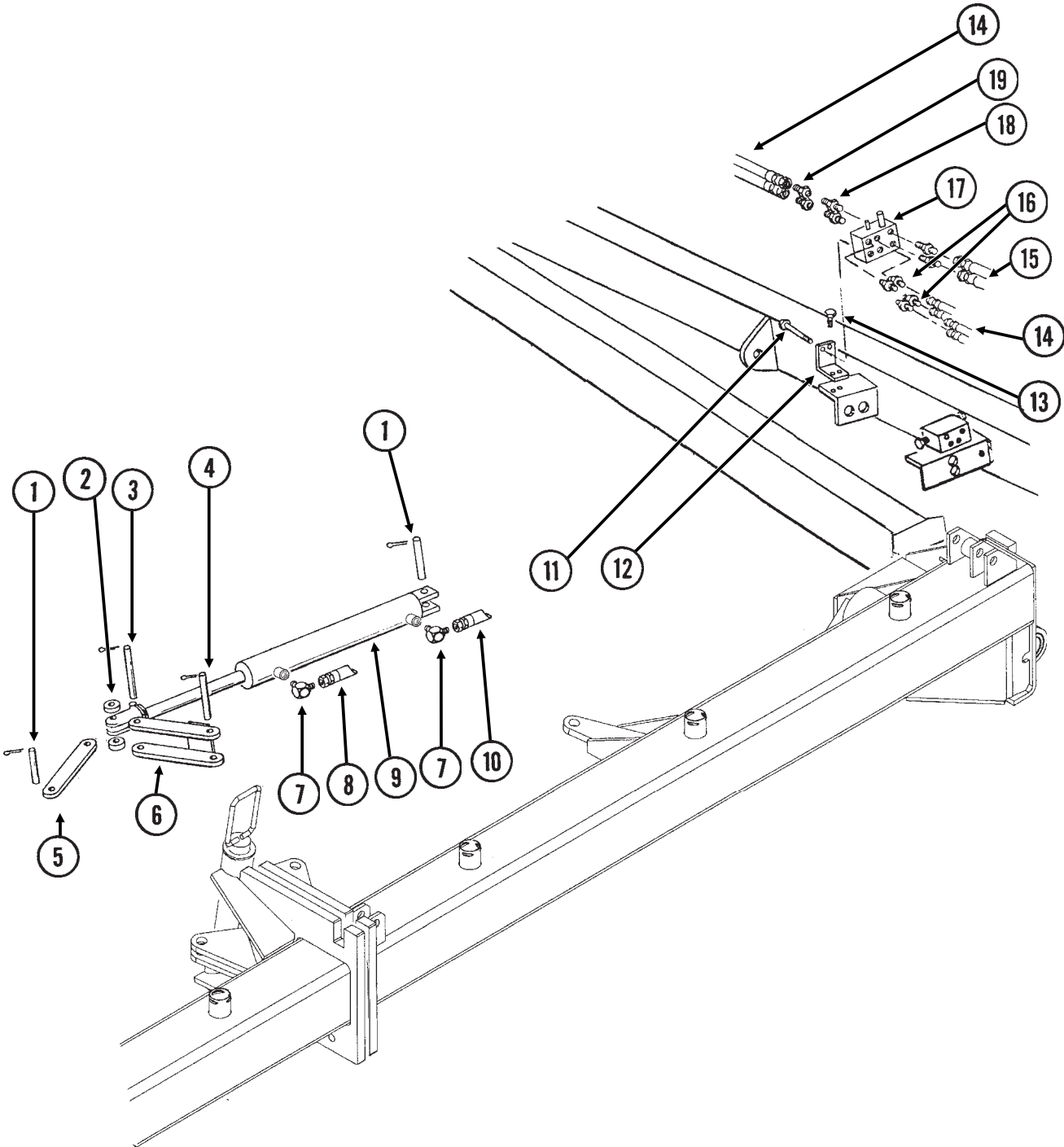


FRAME/MANIFOLD ASSEMBLY

ITEM	PART NO.	QTY.	DESCRIPTION
1.		-	See "Decals, Paint And Miscellaneous", Pages P100-P102
2.	GD2200	1	Spade
3.	GA7513	1	Spring Canister W/Mounting Hardware (Includes Item 3 And 6)
4.	GA6055	2	Arm
5.	G10023	2	Hex Head Cap Screw, 1/4"-20 x 3/4"
	G10110	2	Lock Nut, 1/4"-20, Grade B
6.	GD3311	2	Pin, 7/8" x 3 1/8"
	G10457	4	Cotter Pin, 5/32" x 1 1/2"
7.	G10640	4	Grease Fitting, 1/4"-28
8.	G10404	4	Machine Bushing, 3 1/8" x 2 1/8" x 3/16"
9.	GA8033	2	Pin
10.	G10007	2	Hex Head Cap Screw, 5/8"-11 x 1 1/2"
	G10230	2	Lock Washer, 5/8"
	G10104	2	Hex Nut, 5/8"-11
11.	GD3373	2	Eyebolt
	G10139	4	Washer, 1 1/4" USS
	G10236	2	Lock Washer, 1 1/4"
	GD9688	2	Special Nut, 1 1/4"-7
12.	GD11298	2	Pin, 7/8" x 6 9/16"
	G10457	4	Cotter Pin, 5/32" x 1 1/2"
13.	GA8335	1	Hook
14.	GD7972	1	Turnbuckle
15.	GD3373	1	Eyebolt
16.	GA7022	1	Detent Pin W/Chain
17.	GD11300	1	Lockup
18.	G10017	1	Hex Head Cap Screw, 1/2"-13 x 1 1/2"
	G10228	1	Lock Washer, 1/2"
	G10102	1	Hex Nut, 1/2"-13
19.	G10235	-	Machine Bushing, 7/8", 14 Gauge
20.		-	Frame, 8 Row 36"/38", 303", (Includes Items 7-10) (Non-Stock Item)
	A11938	-	Frame, 12 Row 30", 351 1/2", (Includes Items 7-10) (Non-Stock Item)
21.	GD3311	2	Pin, 7/8" x 3 1/8"
	G10457	4	Cotter Pin, 5/32" x 1 1/2"
22.	G10108	2	Lock Nut, 3/8"-16
23.	GD14534	-	Hose Clamp, 3/4" x 4" x 4 1/2"
24.	GD7948	1	Shaft, 2 1/8" x 20"
	G10461	2	Cotter Pin, 3/8" x 3"
25.	GD17046	1	Mount
26.	G10581	1	Hex Head Cap Screw, 1/2"-13 x 2 1/4"
	G10111	1	Lock Nut, 1/2"-13
27.	G10599	2	Carriage Bolt, 3/8"-16 x 1 1/4"
	G10622	2	Serrated Flange Nut, 3/8"-16
28.	GD17061-01	2	Foam Seal
29.	GA11968	4	Flapper
30.	GD17106	4	Tube, 6" x 6" x 1/2"
31.	GD17105-01	4	Round Shaft, 1/4" x 6"
32.	G11214	16	Hex Socket Set Screw, 1/4"-20 x 3/4"
	G10103	16	Hex Nut, 1/4"-20
33.		-	See "Vacuum Fan Mounting Brackets And Distribution Hoses", Pages P38 And P39

HYDRAULIC WING FOLD

(EF76a)



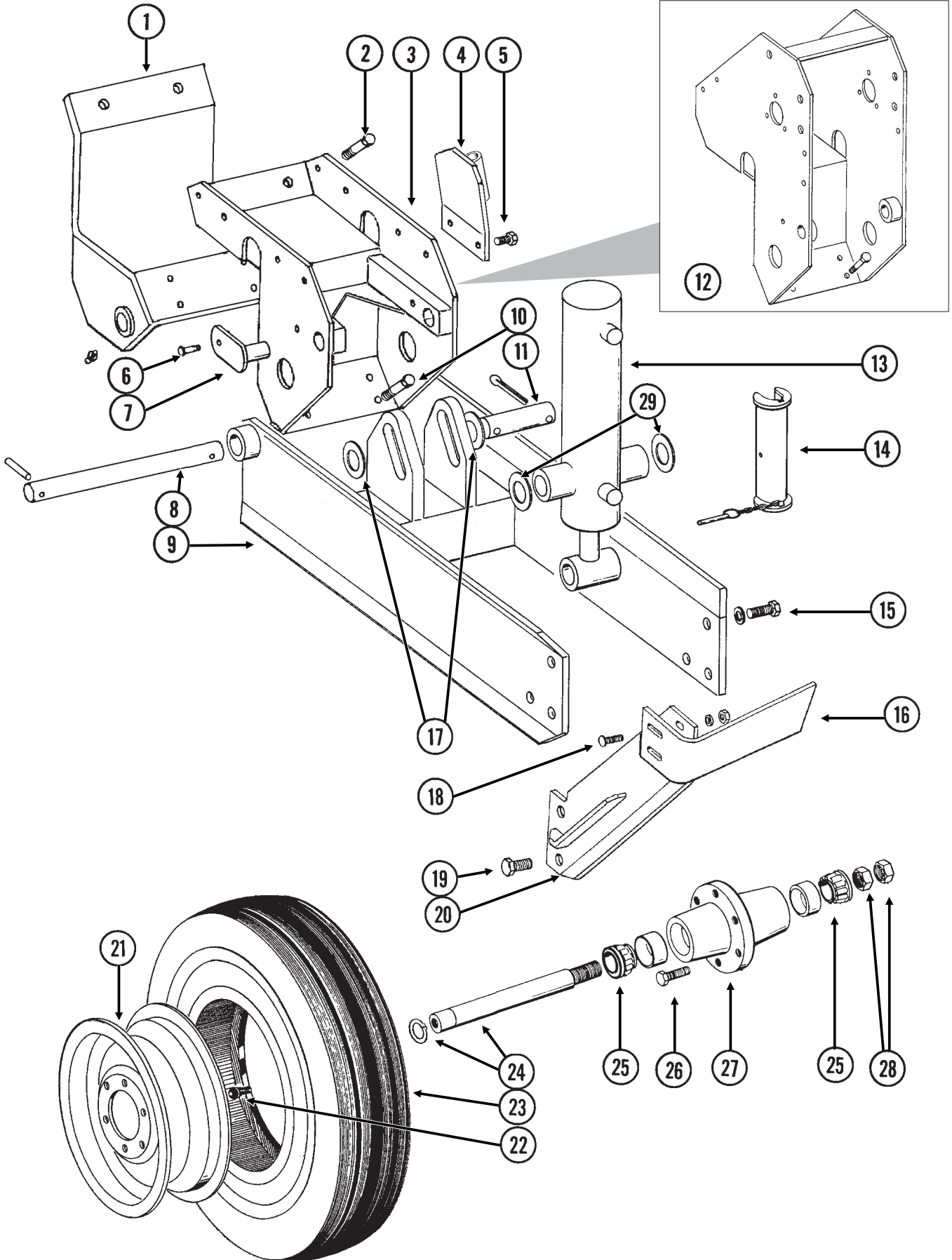
HYDRAULIC WING FOLD

ITEM	PART NO.	QTY.	DESCRIPTION
1.	GD9762	4	Pin, 1" x 3 1/2"
	G10463	8	Cotter Pin, 1/4" x 1 1/2"
2.	GD5900-12	4	Sleeve, 3/8"
3.	GD9591	2	Pin, 1" x 5 3/4"
	G10463	8	Cotter Pin, 1/4" x 1 1/2"
4.	GD11177	2	Pin, 1" x 7 1/4"
	G10463	8	Cotter Pin, 1/4" x 1 1/2"
5.	GD9589	2	Link
6.	GA6800	2	Link
7.	G6801-06-08	4	Elbow W/O-Ring, 90°, 9/16"-18 Male JIC To 3/4"-16 O-Ring
	GR1037	-	O-Ring
8.	*A1168	2	Hose Assembly, 1/4" x 120"
9.		-	See "Hydraulic Wing Fold Cylinder", Page P67
10.	*A1106	2	Hose Assembly, 1/4" x 130"
11.	G10580	2	Hex Head Cap Screw, 1/4"-20 x 3"
	G10227	2	Lock Washer, 1/4"
	G10103	2	Hex Nut, 1/4"-20
12.	GD9699	1	Mounting Angle
13.	G10064	2	Hex Head Cap Screw, 1/4"-20 x 1"
	G10227	2	Lock Washer, 1/4"
	G10103	2	Hex Nut, 1/4"-20
14.		-	See "Hydraulic System", Pages P70 And P71
15.	*A3180	2	Hose Assembly, 3/8" x 25"
16.	G6400-06	4	Connector W/O-Ring, 9/16"-18 Male JIC To O-Ring
	GR1045	-	O-Ring
17.		-	See "Hydraulic Wing Fold Selector Valve", Page P69
18.	G6400-08-06	4	Connector W/O-Ring, 3/4"-16 Male JIC To 9/16"-18 O-Ring
	GR1045	-	O-Ring
19.	G2406-08-06	2	Reducer, 3/4"-16 Female JIC To 9/16"-18 Male JIC

* Hydraulic hose is not stocked by KINZE® Repair Parts, but can be made available on a special order basis. Call for quote.

TRANSPORT AND GROUND DRIVE WHEEL ASSEMBLY

(EF35c/EF35g/EF38c)



TRANSPORT AND GROUND DRIVE WHEEL ASSEMBLY

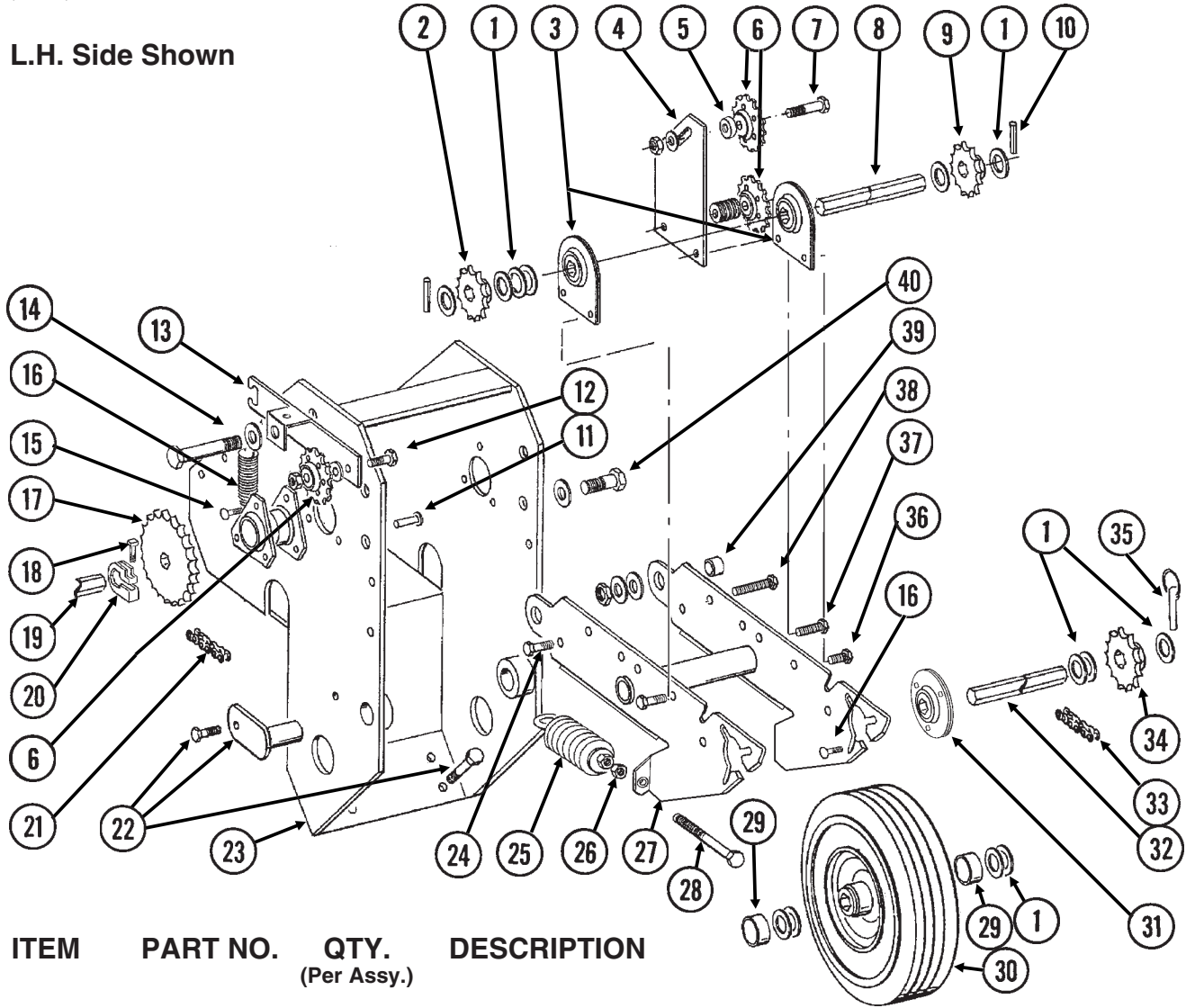
ITEM	PART NO.	QTY.	DESCRIPTION
		(Per Assy.)	
1.	GA9877	1	Clamp W/Grease Fittings
	G10640	-	Grease Fitting, 1/4"-28
2.	G10009	2	Hex Head Cap Screw, 5/8"-11 x 2 1/2"
	G10230	2	Lock Washer, 5/8"
	G10104	2	Hex Nut, 5/8"-11
3.	GA5122	1	Wheel Tower Clamp
4.	GA8134	1	Lockup Mount
5.	G10004	2	Hex Head Cap Screw, 3/8"-16 x 1 1/4"
	G10229	2	Lock Washer, 3/8"
	G10101	2	Hex Nut, 3/8"-16
6.	G10581	2	Hex Head Cap Screw, 1/2"-13 x 2 1/4"
	G10111	2	Lock Nut, 1/2"-13
7.	GA5121	2	Pin, 2 1/8"
8.	GD11695	1	Pin, 1 1/4" x 13 1/4"
	G10610	2	Spring Pin, 3/8" x 2"
9.	GA8839	1	Arm
10.	G10008	4	Hex Head Cap Screw, 5/8"-11 x 2"
	GD7805	4	Special Washer, 5/8", Hardened
	G10230	4	Lock Washer, 5/8"
	G10104	4	Hex Nut, 5/8"-11
11.	GD5841	1	Pin, 1 1/4" x 5 5/8"
	G10460	2	Cotter Pin, 1/4" x 2"
12.		-	See "Contact Wheel And Arm Assembly", Pages P48 And P49
13.		-	See "Master/Slave/Assist Cylinders", Pages P65 And P66
14.	GA9870	1	Lockup W/Pin
15.	G10026	2	Hex Head Cap Screw, 3/4"-10 x 2"
	G10231	2	Lock Washer, 3/4"
16.	GD12543	1	Scraper
17.	G10226	2	Washer, 1 1/4" SAE
18.	G10636	4	Carriage Bolt, 1/2"-13 x 1 1/2"
	G10228	4	Lock Washer, 1/2"
	G10216	4	Washer, 1/2" USS
	G10102	4	Hex Nut, 1/2"-13
19.	G10025	2	Hex Head Cap Screw, 3/4"-10 x 1 1/2"
	G10231	2	Lock Washer, 3/4"
	G10105	2	Hex Nut, 3/4"-10
20.	GA7376	1	Scraper Mount
21.	GA2142	1	Rim, 5.50" x 20"
22.	GA7434	1	Valve Stem
23.	GD13401	-	Tire, 7.50" x 20", 8 Ply Tubeless W/O Center Rib (Specify Brand*)
24.	GA2558	1	Spindle W/Round External Retaining Ring, 9 1/2"
	GD11490	-	Round External Retaining Ring
25.	GA0895	2	Bearing
26.	GR0270	6	Lug Bolt, 9/16"-18
27.	GA2148	1	Hub W/Cups, 6 Bolt
	GR0434	-	Cup
28.	G11081	2	Hex Jam Nut, 1 1/2"-12, Grade 2
29.	G10159	2	Machine Bushing, 1 1/4", 10 Gauge (As Required)
A.	GA2147	-	Hub And Spindle Assembly (Items 24, 25 And 27-28)
B.	GA7409	-	Scraper Assembly (Items 16 And 18-20)

* Specific brand requests will be supplied only as available from current KINZE® Repair Parts stock. If a specific brand requested is not in stock, the brand available will be supplied.

CONTACT WHEEL AND ARM ASSEMBLY

(EF38hh)

L.H. Side Shown



ITEM	PART NO.	QTY. (Per Assy.)	DESCRIPTION
1.	G10233	-	Machine Bushing, 1", 10 Gauge
2.	GA5105	1	Sprocket, 15 Tooth, See "Two-Speed Point Row Clutch Drive", Pages P58 And P59 (If Applicable)
3.	GA2180	2	Hanger Bearing, 7/8" Hex Bore
4.	GD11125	1	Bar
5.	GD11158	1	Spacer, 3/4" O.D. x 9/16" Long (If Applicable)
	GD9229	2	Spacer, 1 1/4" O.D. x 1/2" Long (If Applicable)
6.	GA7154	3	Sprocket W/Bearing, 18 Tooth
7.	G10397	1	Hex Head Cap Screw, 1/2"-13 x 2 3/4"
	G10168	1	Machine Bushing, 1/2", 7 Gauge
	G10128	-	Machine Bushing, 1/2", 14 Gauge (As Required)
	G10111	1	Lock Nut, 1/2"-13
8.	GD6825-12.75	1	Hex Shaft, 7/8" x 12 3/4" (2 Holes)
9.	GA5107	1	Sprocket, 19 Tooth
10.	G10602	3	Spring Pin, 1/4" x 1 1/2"
11.	G10478	1	Clevis Pin, 5/16" x 1"
	G10409	1	Retaining Ring, 5/16"
12.	G10017	1	Hex Head Cap Screw, 1/2"-13 x 1 1/2"
	G10128	1	Machine Bushing, 1/2", 14 Gauge
	G10501	1	Hex Jam Nut, 1/2"-13, Grade 2
13.	GA9553	1	Idler W/Sprocket And Hardware, L.H.
	GA9554	1	Idler W/Sprocket And Hardware, R.H. (Shown)
	GA7154	-	Sprocket W/Bearing, 18 Tooth
	G10017	-	Hex Head Cap Screw, 1/2"-13 x 1 1/2"
	G10128	-	Machine Bushing, 1/2", 14 Gauge
	G10501	-	Hex Jam Nut, 1/2"-13, Grade 2

CONTACT WHEEL AND ARM ASSEMBLY

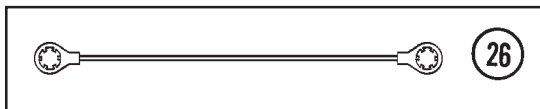
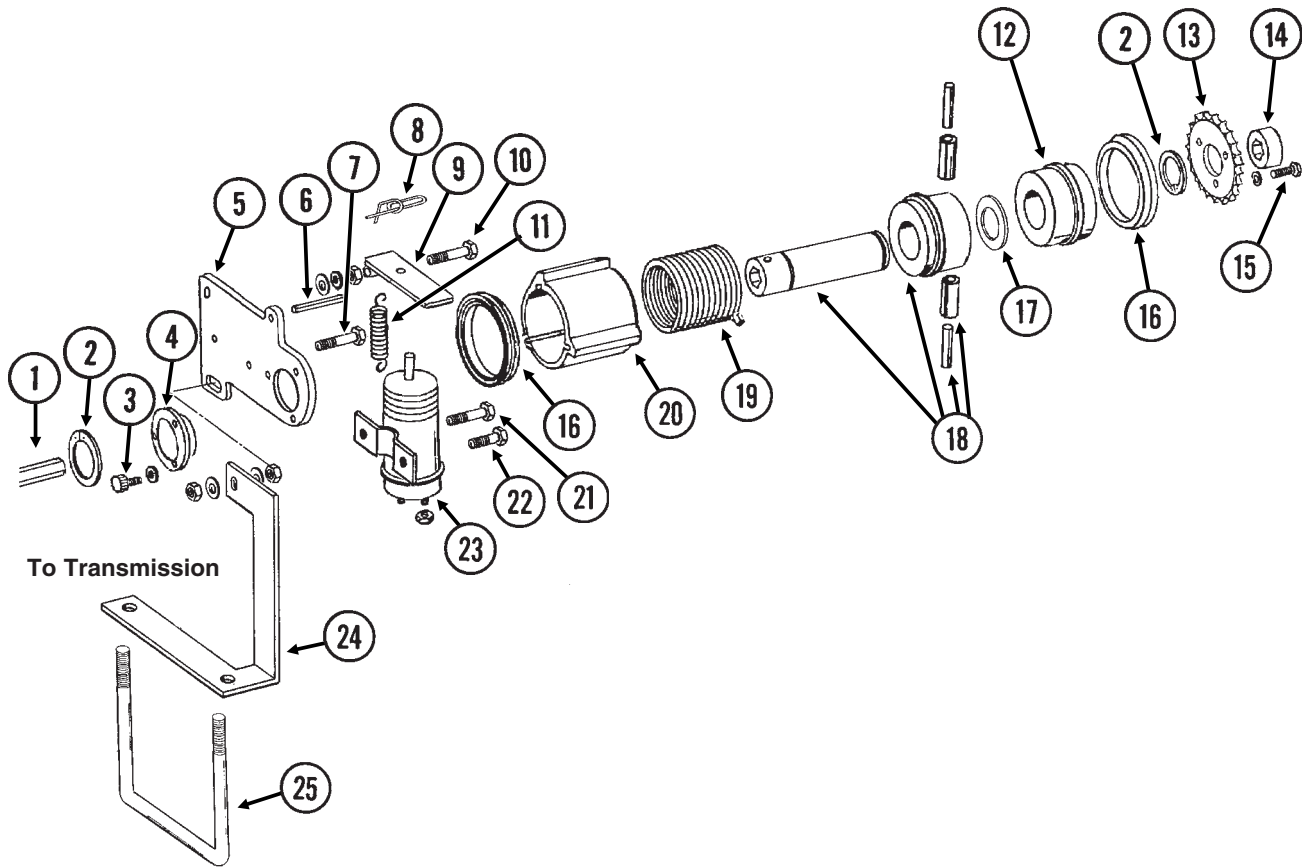
ITEM	PART NO.	QTY. (Per Assy.)	DESCRIPTION
14.	G10013	1	Hex Head Cap Screw, 5/8"-11 x 3 1/2"
	G10036	1	Hex Head Cap Screw, 5/8"-11 x 4"
	G10205	1	Washer, 5/8" SAE
	G10107	1	Lock Nut, 5/8"-11
	G10104	1	Hex Nut, 5/8"-11
15.	G10303	-	Carriage Bolt, 5/16"-18 x 1"
	G10232	-	Lock Washer, 5/16"
	G10106	-	Hex Nut, 5/16"-18
16.	GD5857	1	Spring
17.	GA5202	1	Sprocket, 34 Tooth See "Point Row Clutch", Pages P50 And P51 (If Applicable)
18.	G10130	1	Square Head Machine Bolt, 5/16"-18 x 1 3/4"
	G10923	1	Flange Nut, 5/16"-18, No Serration
19.		-	See "Seed Rate Transmission Assembly And Driveline", Pages P60 And P61
20.	GD11045	1	Lock Clamp
21.	G3310-74	1	Chain, No. 40, 74 Pitch Including Connector Link, See "Two-Speed Point Row Clutch Drive", Pages P58 And P59 (If Applicable)
	GR0912	-	Connector Link, No. 40
22.		-	See "Transport And Ground Drive Wheel Assembly", Pages P46 And P47
23.	GA8041	1	Wheel Tower
24.	G10055	2	Hex Head Cap Screw, 5/8"-11 x 1 1/4" (Stop Bolt)
	G10107	2	Lock Nut, 5/8"-11
25.	GA2068	2	Spring W/Plug
26.	G10501	2	Hex Jam Nut, 1/2"-13, Grade 2
27.	GA8042	1	Arm
28.	G10890	2	Hex Head Adjusting Bolt, 1/2"-13 x 4", Grade 2
29.	GD11157	2	Spacer, 1 1/2" O.D. x 5/8" Long
30.	GA5090	1	Tire And Rim Assembly (Specify Brand*)
	GD5753	-	Tire, 4.10" x 6" (Specify Brand*)
	GD5752	-	Inner Tube
	GA5089	-	Rim, 3.25" x 6" (Sub GA5090)
31.	GA9846	-	Flanged Bearing, 7/8" Hex Bore
32.	GD6825-11.625	1	Hex Shaft, 7/8" x 11 5/8" (2 Holes)
33.	G3310-92	1	Chain, No. 40, 92 Pitch Including Connector Link, Used With 15 And 19 Tooth Sprockets, See "Two-Speed Point Row Clutch Drive", Pages P58 And P59 (If Applicable)
	G3310-104	-	Chain, No. 40, 104 Pitch Including Connector Link, Used With 38 Tooth Sprocket
	GR0912	-	Connector Link, No. 40
34.	GA5105	1	Sprocket, 15 Tooth
	GA5107	-	Sprocket, 19 Tooth
	GA11285	-	Sprocket, 38 Tooth See "Two-Speed Point Row Clutch Drive", Pages P58 And P59 (If Applicable)
35.	GD2558	1	Lynch Pin, 1/4"
36.	G10001	3	Hex Head Cap Screw, 3/8"-16 x 1"
	G10229	3	Lock Washer, 3/8"
	G10101	3	Hex Nut, 3/8"-16
37.	G10004	1	Hex Head Cap Screw, 3/8"-16 x 1 1/4"
	G10229	1	Lock Washer, 3/8"
	G10101	1	Hex Nut, 3/8"-16
38.	G10053	1	Hex Head Cap Screw, 1/2"-13 x 2 1/2"
	G10128	-	Machine Bushing, 1/2", 14 Gauge (As Required)
	G10111	1	Lock Nut, 1/2"-13
39.	GB0218	2	Bushing, 21/32" I.D. x 7/8" O.D. x 19/32" Long
40.	G10751	2	Hex Head Cap Screw, 5/8"-18 x 1 3/4"
	G10235	6	Machine Bushing, 7/8", 14 Gauge
	GD7805	2	Special Washer, 5/8", Hardened
	G10412	2	Lock Nut, 5/8"-18
A.	G1K269	-	Lock Clamp Kit (Items 18 And 20)

* Specific brand requests will be supplied only as available from current KINZE® Repair Parts stock. If a specific brand requested is not in stock, the brand available will be supplied. Different brand tires may have different diameters. Change in tire brands may affect rates. Field checks are recommended after any change in contact tires.

POINT ROW CLUTCH

(EF40f)

L.H. Side Shown

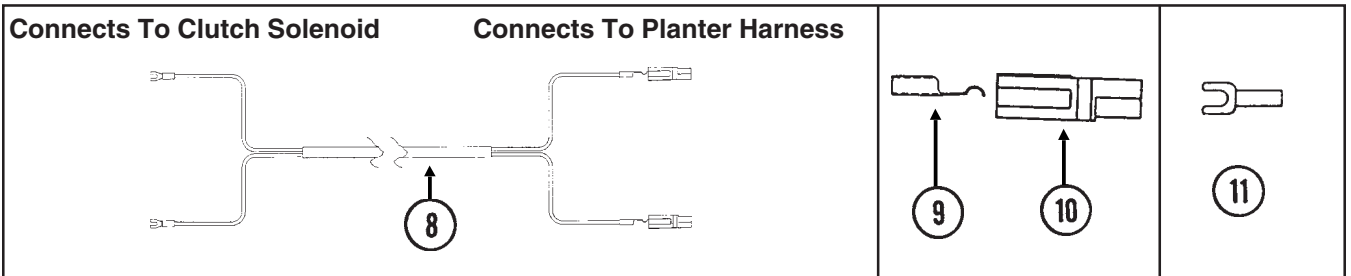
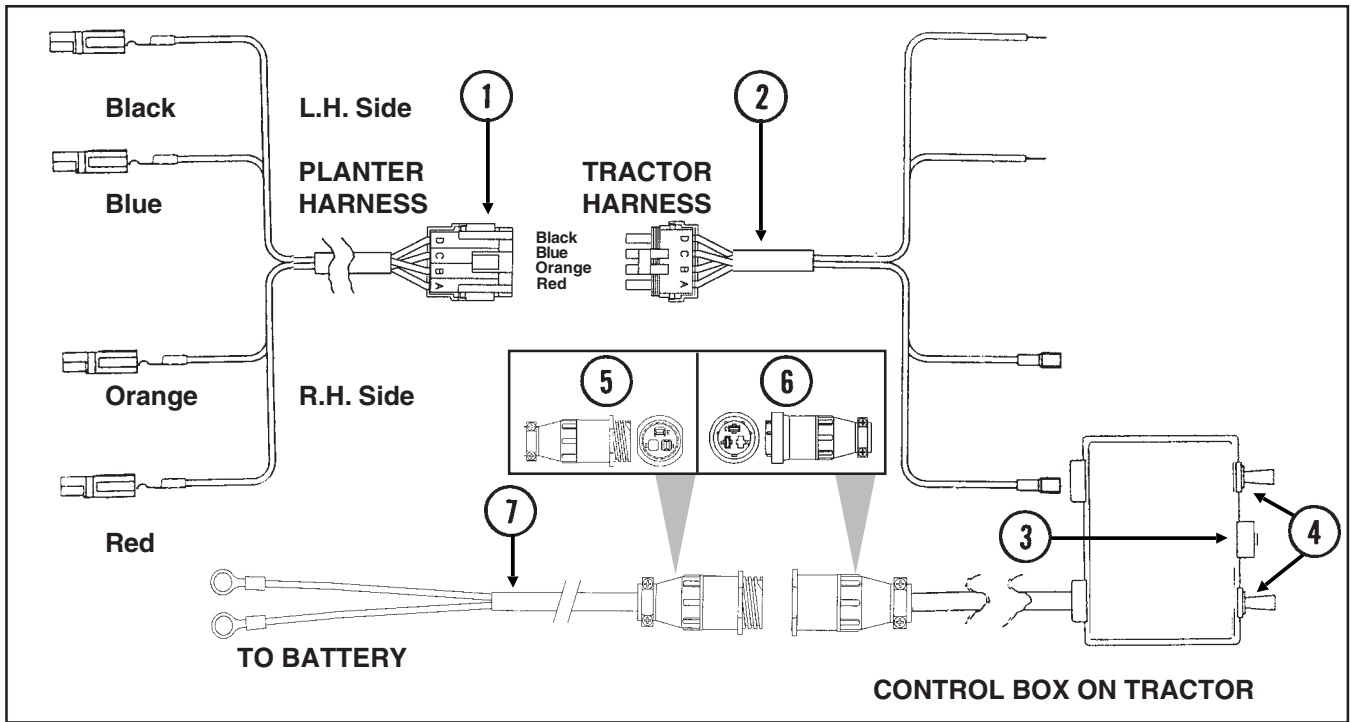


POINT ROW CLUTCH

ITEM	PART NO.	QTY. (Per Assy.)	DESCRIPTION
1.		-	See "Seed Rate Transmission Assembly And Driveline", Pages P60 And P61
2.	G10496	2	External Inverted Snap Ring, 1 1/2"
3.	G10253	3	Hex Socket Head Screw, No. 10-32 x 1/2"
	G10257	3	Lock Washer, No. 10
4.	GD9667	1	Bushing
5.	GD10103	1	Mounting Plate
6.	G10859	1	Spring Pin, 3/16" x 2 1/4"
7.	G10325	1	Hex Head Cap Screw, 3/8"-16 x 2 3/4"
	G10203	2	Washer, 3/8" SAE
	G10101	2	Hex Nut, 3/8"-16
8.	GD11120	1	Rue Ring Cotter, 5/16"
9.	GD10510	1	Actuator Arm
10.	G10049	1	Hex Head Cap Screw, 3/8"-16 x 2 1/2"
	G10101	1	Hex Nut, 3/8"-16
	G10203	1	Washer, 3/8" SAE
	G10229	2	Lock Washer, 3/8"
	G10497	1	Hex Jam Nut, 3/8"-16, Grade 2
11.	GD10123	1	Spring
12.	GD10104	1	Input Hub
13.	GD10525	1	Sprocket, 34 Tooth
14.	GD10200	1	Sleeve, 3/4" Long
15.	G10023	3	Hex Head Cap Screw, 1/4"-20 x 3/4"
	G10227	3	Lock Washer, 1/4"
16.	GD14512	2	V-Ring Seal
17.	GD14513	1	Felt Washer
18.	GA7137	1	Hub/Sleeve Assembly W/Spring Pins
	G10804	-	Spring Pin, 5/32" x 7/8"
	G10765	-	Spring Pin, 1/4" x 1"
19.	GD9672	1	Spring, R.H.
	GD9671	-	Spring, L.H.
20.	GD10102	1	Stop Collar
21.	G10900	1	Hex Socket Head Cap Screw, 1/4"-20 x 1 3/4", Grade 8
	G10227	1	Lock Washer, 1/4"
	G10103	2	Hex Nut, 1/4"-20
22.	G10023	1	Hex Head Cap Screw, 1/4"-20 x 3/4"
	G10227	1	Lock Washer, 1/4"
	G10103	1	Hex Nut, 1/4"-20
23.	GA8393	1	Solenoid Complete
	GR1306	1	Snap Ring
	GR1303	1	Spring
	GR1304	1	Boot
	GR1305	1	Plunger
24.	GD10528	-	Bracket, R.H. (Shown)
	GD10529	1	Bracket, L.H.
25.	GD7145	1	U-Bolt, 7" x 7" x 1/2"-13
	G10111	2	Lock Nut, 1/2"-13
26.	GA10054	1	Ground Cable, Green
A.	GA7418	-	Point Row Clutch Assembly, R.H. (R.H. Side Of Machine) (Items 2-6, 8-13, 15-23 And 26)
B.	GA7417	-	Point Row Clutch Assembly, L.H. (L.H. Side Of Machine) (Items 2-6, 8-13, 15-23 And 26)

POINT ROW CLUTCH ELECTRICAL COMPONENTS

(EF10b/ELC34/ELC35/EF10c/SFP6/TWL18/TWL76)

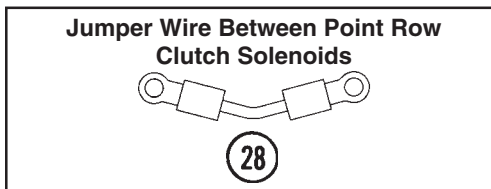
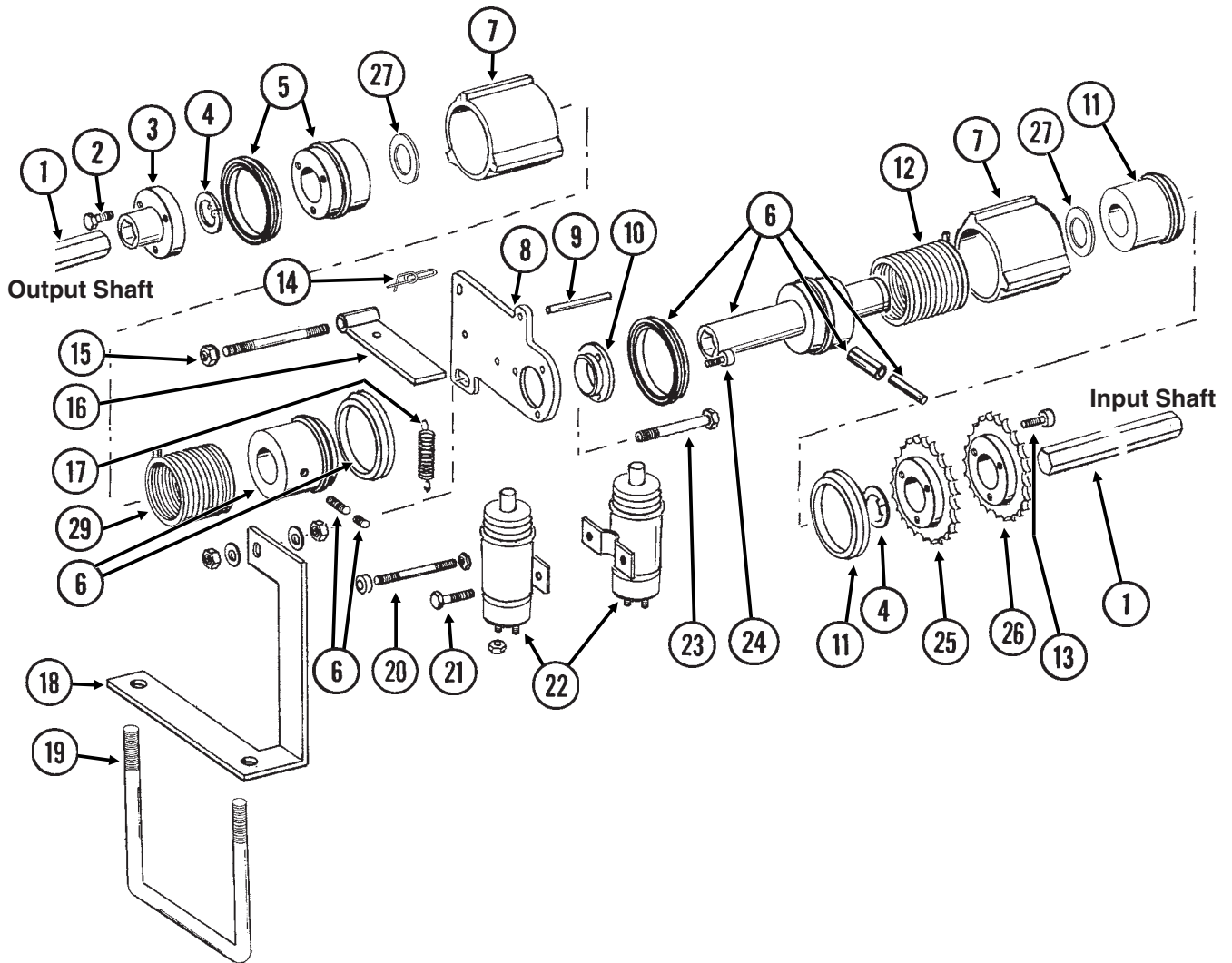


POINT ROW CLUTCH ELECTRICAL COMPONENTS

ITEM	PART NO.	QTY. (Per Assy.)	DESCRIPTION
1.	GR1446	-	Harness W/4-Pin Connector, 194"
	GA8328	-	4-Pin Connector W/Female Housing, 4 Seals And 4 Pin Contacts
2.	GR1447	-	Harness W/4-Pin Connector, 152"
	GA8329	-	4-Pin Connector W/Male Housing, 4 Seals And 4 Socket Contacts
3.	GA7165	-	Circuit Breaker, 12 Amp
4.	GA7144	-	Two-Position Switch
5.	G1K267	-	Power Lead Adapter Connector Kit, Includes: (1) 3-Pin Connector, (1) Cable Clamp, (3) Male Terminal Pins
6.	G1K268	-	Console Cable Connector Kit, Includes: (1) 3-Pin Connector, (1) Cable Clamp, (1) Lock Ring, (3) Female Terminal Pins
7.	GA7856	1	Power Lead Adapter
8.	GA7212	1	Wiring Harness, 192"
9.	GD9530	-	Contact
10.	GD9529	-	Housing, Black
	GD12726	-	Housing, Red
11.	G10996	-	Fork Terminal

TWO-SPEED POINT ROW CLUTCH

(EF50d/SFP46/TWL71a/TWL76/TWL18)

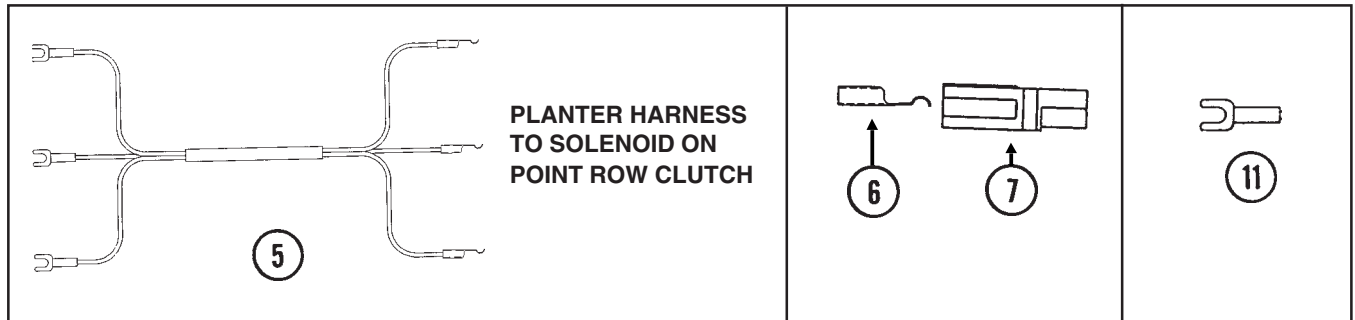
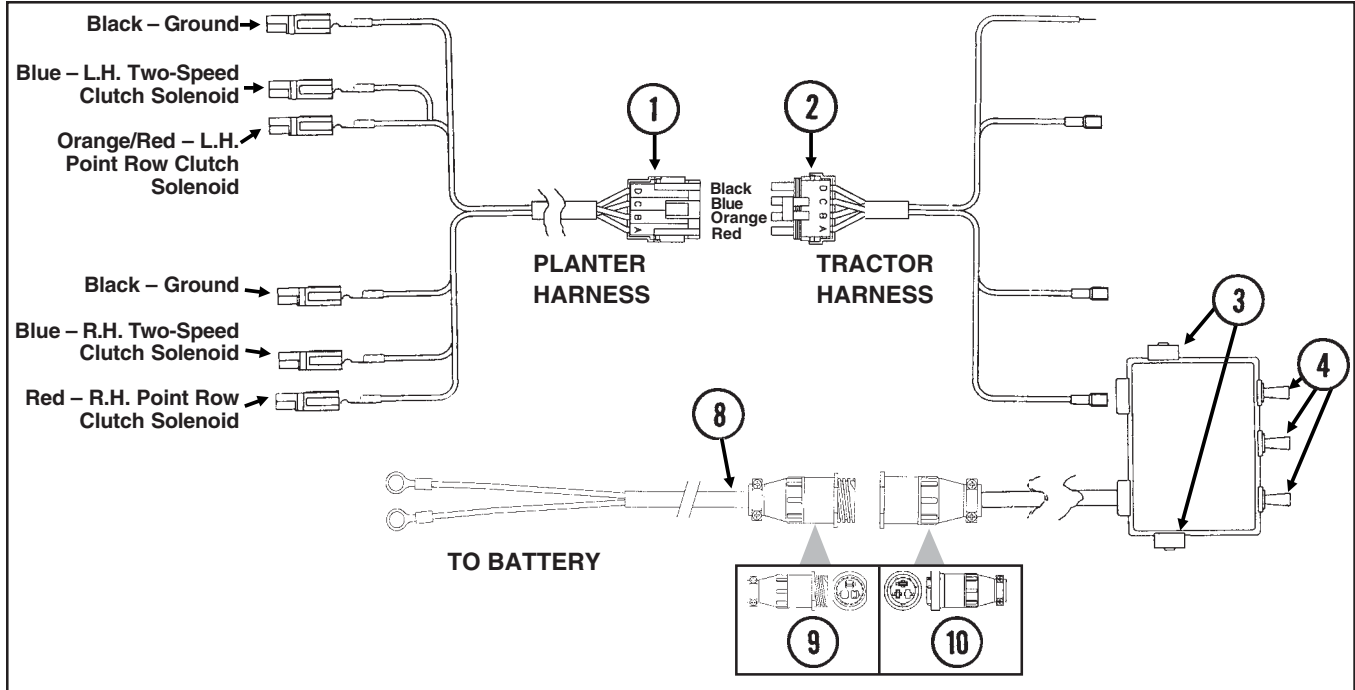


TWO-SPEED POINT ROW CLUTCH

ITEM	PART NO.	QTY.	DESCRIPTION
		(Per Assy.)	
1.		-	See "Two-Speed Point Row Clutch Drive", Pages P58 And P59
2.	G10374	3	Hex Socket Head Screw, 1/4"-20 x 1"
3.	GA9068	1	Hex Coupler
4.	G10496	2	External Inverted Snap Ring, 1 1/2"
5.	GA9572	1	Hub W/Seal
	GD10120	-	Seal
6.	GA7463	1	Hub/Sleeve Assembly W/Seals, Sleeve, Pins And Screws
	GD10120	-	Seal
	GD10584	-	Sleeve
	G10873	-	Hex Socket Set Screw, 5/16"-18 x 3/4"
	G10872	-	Hex Socket Set Screw, 5/16"-18 x 1/4"
	G10804	-	Spring Pin, 5/32" x 7/8"
	G10765	-	Spring Pin, 1/4" x 1"
7.	GD10585	2	Stop Collar
8.	GD10103	1	Mounting Plate
9.	G10859	1	Spring Pin, 3/16" x 2 1/4"
10.	GD10586	1	Bushing
11.	GA9571	1	Hub W/Seal
	GD10120	-	Seal
12.	GD9672	2	Spring, R.H.
13.	G10638	3	Hex Head Cap Screw, 1/4"-20 x 2"
	G10227	3	Lock Washer, 1/4"
14.	GD11120	2	Rue Ring Cotter, 5/16"
15.	GD10636	1	Threaded Rod, 3/8"-16 x 4 1/4"
	G10108	2	Lock Nut, 3/8"-16
	G10229	2	Lock Washer, 3/8"
	G10101	2	Hex Nut, 3/8"-16
16.	GD10510	2	Actuator Arm
17.	GD10123	2	Spring
18.	GD10528	1	Bracket, R.H. (Shown)
	GD10529	-	Bracket, L.H.
19.	GD7145	1	U-Bolt, 7" x 7" x 1/2"-13
	G10128	2	Machine Bushing, 1/2", 14 Gauge
	G10111	2	Lock Nut, 1/2"-13
20.	GD10635	1	Threaded Rod, 1/4"-20 x 3 1/2"
	G10103	2	Hex Nut, 1/4"-20
	G10227	2	Lock Washer, 1/4"
	GD10282	2	Allen Nut, 1/4"-20
21.	G10023	1	Hex Head Cap Screw, 1/4"-20 x 3/4"
	G10227	1	Lock Washer, 1/4"
	G10103	1	Hex Nut, 1/4"-20
22.	GA8393	2	Solenoid Complete
	GR1306	-	Snap Ring
	GR1303	-	Spring
	GR1304	-	Boot
	GR1305	-	Plunger
23.	G10172	1	Hex Head Cap Screw, 3/8"-16 x 5"
	G10101	1	Hex Nut, 3/8"-16
	G10210	2	Washer, 3/8" USS
	G10108	1	Lock Nut, 3/8"-16
24.	G10876	3	Hex Socket Head Screw, No. 10-32 x 1/4"
25.	GD10672	1	Input Sprocket, 30 Tooth
26.	GD10673	1	Sprocket, 34 Tooth
27.	GD14513	2	Felt Washer
28.	GA7274	1	Jumper Wire W/Ring Terminals, 2 3/16", Between Solenoids
29.	GD9671	1	Spring, L.H.

TWO-SPEED POINT ROW CLUTCH ELECTRICAL COMPONENTS

(SFP46d/SFP46e/TWL71a/TWL76/TWL18/TWL76)

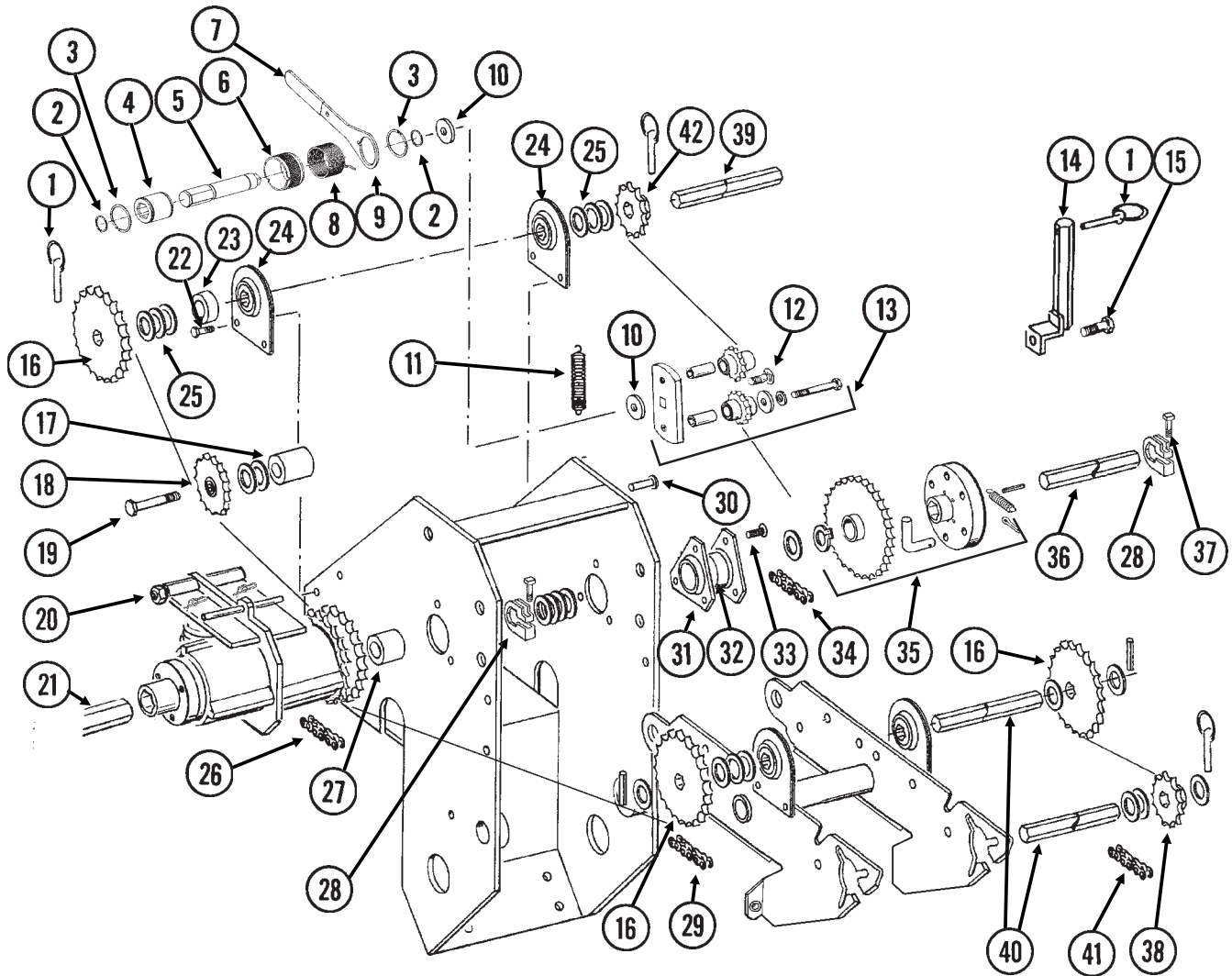


TWO-SPEED POINT ROW CLUTCH ELECTRICAL COMPONENTS

ITEM	PART NO.	QTY. (Per Assy.)	DESCRIPTION
1.	GR1448	-	Harness W/4-Pin Connector, 60"
	GA8328	-	4-Pin Connector W/Female Housing, 4 Seals And 4 Pin Contacts
2.	GR1449	-	Harness W/4-Pin Connector, 152"
	GA8329	-	4-Pin Connector W/Male Housing, 4 Seals And 4 Socket Contacts
3.	GA7165	2	Circuit Breaker, 12 Amp
4.	GA7144	3	Two-Position Switch
5.	GA7577	1	Wiring Harness, 288"
6.	GD9530	-	Contact
7.	GD9529	-	Housing, Black
	GD12726	-	Housing, Red
8.	GA7856	1	Power Lead Adapter
9.	G1K267	-	Power Lead Adapter Connector Kit, Includes: (1) 3-Pin Connector, (1) Cable Clamp, (3) Male Terminal Pins
10.	G1K268	-	Console Cable Connector Kit, Includes: (1) 3-Pin Connector, (1) Cable Clamp, (1) Lock Ring, (3) Female Terminal Pins
11.	G10996	-	Fork Terminal

TWO-SPEED POINT ROW CLUTCH DRIVE

(EF51n)



ITEM	PART NO.	QTY.	DESCRIPTION
------	----------	------	-------------

(Per Assy.)

1.	GD2558	3	Lynch Pin, 1/4"
2.	G10496	2	External Inverted Snap Ring, 1 1/2"
3.	G11075	2	External Inverted Snap Ring, 7/8"
4.	GD14432	1	Sleeve, 1 1/4"
5.	GD14426	1	Tightener Shaft, 3 3/8"
6.	GD14429	-	Release Collar, Silver, L.H. (Shown)
	GD14430	1	Release Collar, Gold, R.H.
7.	G11078	1	Vinyl Cap
8.	GD14414	1	Torsion Spring, R.H. (Shown)
	GD14413	-	Torsion Spring, L.H.
9.	GD14431	1	Handle
10.	G10235	2	Machine Bushing, 7/8", 14 Gauge
11.	GD5857	1	Spring
12.	G11100	1	Hex Socket Button Head Cap Screw, 1/4"-20 x 1/2", Grade 8
	G10227	1	Lock Washer, 1/4"
	G10209	1	Washer, 1/4" USS
13.	GA7336	1	Idler W/Bolt-On Sprockets
	GD7426	-	Sprocket, 12 Tooth
	GD1026	-	Sleeve, 1 3/16" Long
	G10210	-	Washer, 3/8" USS
	G10229	-	Lock Washer, 3/8"
	G10047	-	Hex Head Cap Screw, 3/8"-16 x 1 3/4"
14.	GA7313	1	Sprocket Storage Rod

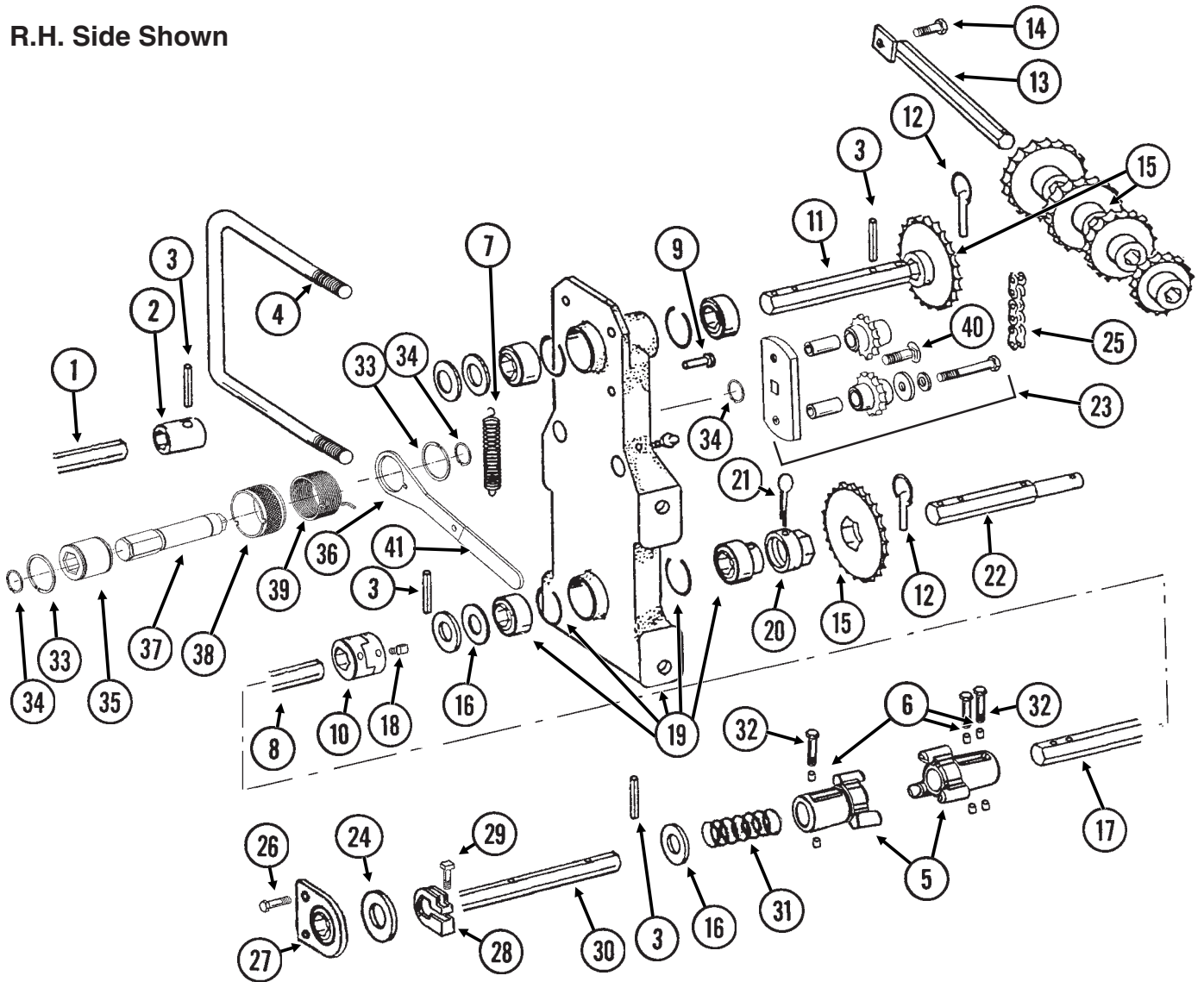
TWO-SPEED POINT ROW CLUTCH DRIVE

ITEM	PART NO.	QTY.	DESCRIPTION
(Per Assy.)			
15.	G10017	1	Hex Head Cap Screw, 1/2"-13 x 1 1/2"
	G10228	1	Lock Washer, 1/2"
	G10102	1	Hex Nut, 1/2"-13
16.	GA5114	3	Sprocket, 30 Tooth
17.	GD11213	1	Spacer, 1 1/4" O.D. x 1 3/4" Long
18.	GA7154	1	Sprocket W/Bearing, 18 Tooth
19.	G10035	1	Hex Head Cap Screw, 1/2"-13 x 4"
	G10216	1	Washer, 1/2" USS
	G10128	2	Machine Bushing, 1/2", 14 Gauge
	G10111	1	Lock Nut, 1/2"-13
20.		-	See "Two-Speed Point Row Clutch", Pages P54 And P55
21.	GD0914-6.25	1	Hex Shaft, 7/8" x 6 1/4" (No Holes), 12 Row 30"
	GD0914-21.5	-	Hex Shaft, 7/8" x 21 1/2" (No Holes), 8 Row 36"/38"
22.	G10001	4	Hex Head Cap Screw, 3/8"-16 x 1"
	G10229	4	Lock Washer, 3/8"
	G10101	4	Hex Nut, 3/8"-16
23.	GD11157	1	Spacer, 1 1/2" O.D. x 5/8" Long
24.	GA2180	2	Hanger Bearing, 7/8" Hex Bore
25.	G10233	10	Machine Bushing, 1", 10 Gauge
26.	G3310-76	1	Chain, No. 40, 76 Pitch Including Connector Link
	GR0912	-	Connector Link, No. 40
27.	GD5900-25	1	Sleeve, 2"
28.	GD11045	2	Lock Clamp
	G10233	4	Machine Bushing, 1", 10 Gauge
29.	G3310-80	1	Chain, No. 40, 80 Pitch Including Connector Link
	GR0912	-	Connector Link, No. 40
30.	G10478	1	Clevis Pin, 5/16" x 1"
	G10409	1	Retaining Ring, 5/16"
31.	G3400-01	2	Flangette
32.	G2100-03	1	Bearing, 7/8" Hex Bore, Spherical
33.	G10303	3	Carriage Bolt, 5/16"-18 x 1"
	G10232	3	Lock Washer, 5/16"
	G10219	3	Washer, 5/16" USS (As Required)
	G10106	3	Hex Nut, 5/16"-18
34.	G3310-68	1	Chain, No. 40, 68 Pitch Including Connector Link
	G3310-06	-	Chain, No. 40, 6 Pitch Including Connector Link
	GR0912	-	Connector Link, No. 40
35.	GA7320	1	Overrunning Sprocket Assembly, R.H.
	GA7321	-	Overrunning Sprocket Assembly, L.H.
	G10430	1	External Retaining Ring, 1 1/4"
	GD1255	6	L-Pin
	G10546	6	Spring Pin, 3/16" x 1 1/4"
	G10470	6	Cotter Pin, 5/32" x 1"
	GD10366	6	Spring
	GA7317	1	Block
	GA7319	1	Sprocket W/Bushing, 30 Tooth
36.	GD0914-20	1	Hex Shaft, 7/8" x 20" (No Holes)
37.	G10130	2	Square Head Machine Bolt, 5/16"-18 x 1 3/4"
	G10923	2	Flange Nut, 5/16"-18, No Serration
38.	GA5105	1	Sprocket, 15 Tooth
39.	GD6825-14.5	1	Hex Shaft, 7/8" x 14 1/2" (2 Holes)
40.		-	See "Contact Wheel And Arm Assembly", Pages P48 And P49
41.	G3310-92	1	Chain, No. 40, 92 Pitch Including Connector Link
	GR0912	-	Connector Link, No. 40
42.	GA5105	1	Sprocket, 15 Tooth
	GA5106	1	Sprocket, 17 Tooth
	GA5109	1	Sprocket, 24 Tooth
	GA5112	1	Sprocket, 27 Tooth
	GA5108	1	Sprocket, 23 Tooth (From Transmission)
	GA5110	1	Sprocket, 25 Tooth (From Transmission)
	GA5111	1	Sprocket, 26 Tooth (From Transmission)
A.	G1K269	-	Lock Clamp Kit (Items 23 And 34)
B.	G1K381	-	Wrap Spring Wrench Replacement Kit, Silver Collar, L.H. (Items 2-10 And 12) (Shown)
	G1K380	1	Wrap Spring Wrench Replacement Kit, Gold Collar, R.H. (Items 2-10 And 12)

SEED RATE TRANSMISSION ASSEMBLY AND DRIVELINE

(EF45h)

R.H. Side Shown



ITEM	PART NO.	QTY.	DESCRIPTION
		(Per Assy.)	
1.	GD0914-20 GD0914-35	2 -	Hex Shaft, 7/8" x 20" (No Holes), 12 Row 30" Hex Shaft, 7/8" x 35" (No Holes), 8 Row 36"/38", See "Two-Speed Point Row Clutch Drive", Pages P58 And P59 (If Applicable)
2.	GD5961	1	Coupler, 2 1/4"
3.	G10602	-	Spring Pin, 1/4" x 1 1/2"
4.	GD1114	1	U-Bolt, 7" x 7" x 5/8"-11
	G10230	2	Lock Washer, 5/8"
	G10104	2	Hex Nut, 5/8"-11
5.	GB0283	2	Coupler
6.	GD11395	6	Bushing, 1/2"
7.	GD5857	1	Spring
8.	GD12616-66	2	Hex Shaft, 7/8" x 66" (2 Holes), 8 Row 36"/38"
	GD12616-78	2	Hex Shaft, 7/8" x 78" (2 Holes), 12 Row 30"
9.	G10478	1	Clevis Pin, 5/16" x 1"
	G10409	1	Retaining Ring, 5/16"
10.	GB0287	2	Coupler
11.	GD5835	1	Shaft, 7/8" x 7"
12.	GD2558	3	Lynch Pin, 1/4"
13.	GA7482	1	Sprocket Storage Rod

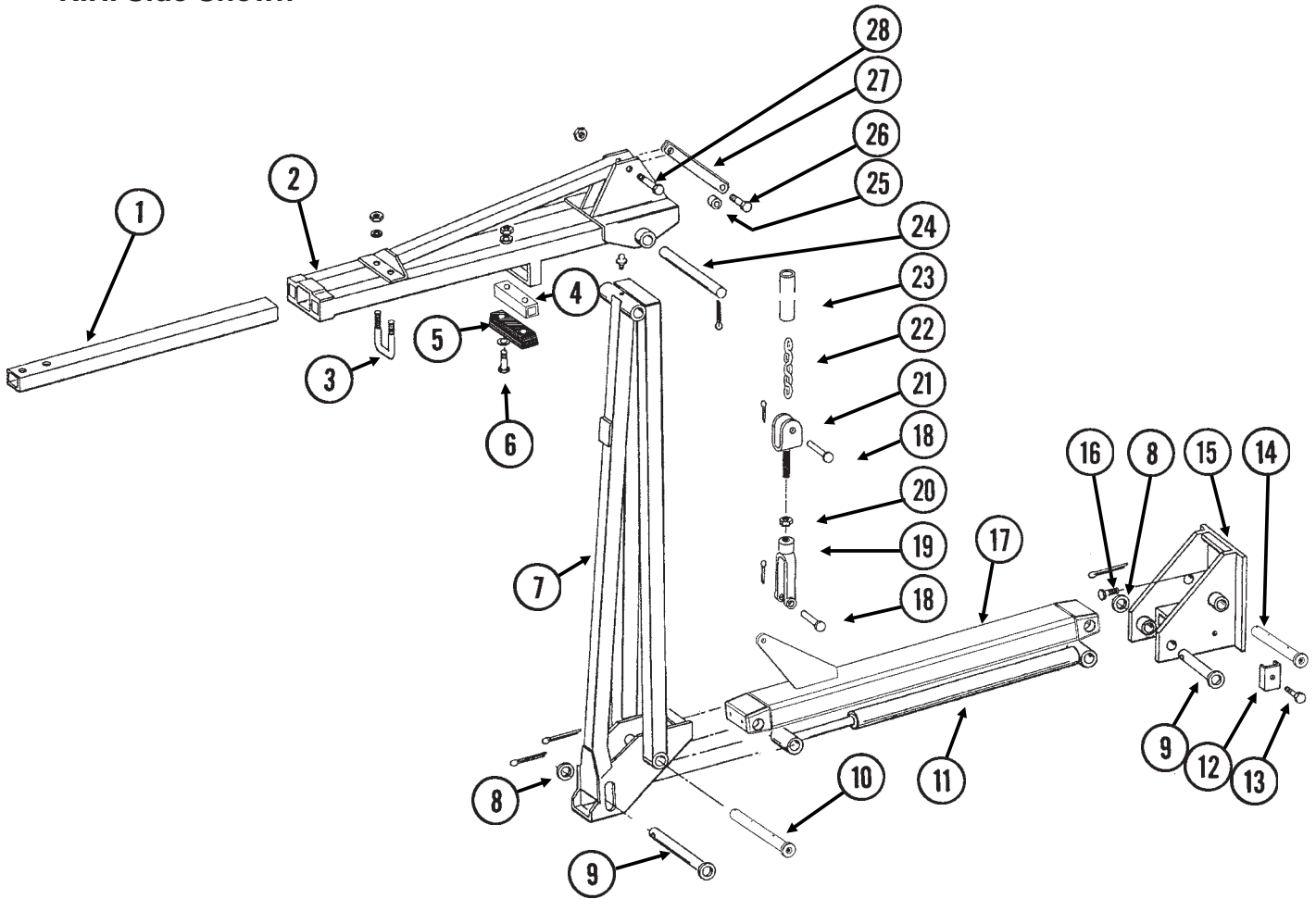
SEED RATE TRANSMISSION ASSEMBLY AND DRIVELINE

ITEM	PART NO.	QTY. (Per Assy.)	DESCRIPTION
14.	G10017	1	Hex Head Cap Screw, 1/2"-13 x 1 1/2"
	G10527	1	Lock Washer, 1/2", Internal/External
	G10111	1	Lock Nut, 1/2"-13
15.	GA5105	1	Sprocket, 15 Tooth
	GA5106	1	Sprocket, 17 Tooth
	GA5107	1	Sprocket, 19 Tooth
	GA5108	2	Sprocket, 23 Tooth
	GA5109	1	Sprocket, 24 Tooth
	GA5110	1	Sprocket, 25 Tooth
	GA5111	1	Sprocket, 26 Tooth
	GA5112	1	Sprocket, 27 Tooth
	GA5113	1	Sprocket, 28 Tooth
16.	G10233	4	Machine Bushing, 1", 10 Gauge
17.	GD11393-66	2	Hex Shaft, 7/8" x 66" (3 Holes), 8 Row 36"/38"
	GD11393-78	-	Hex Shaft, 7/8" x 78" (3 Holes), 12 Row 30"
18.	G10131	4	Square Head Set Screw, 5/16"-18 x 3/4"
19.	GA5629	1	Transmission Plate W/Bearings, Grease Fittings And Retaining Rings
	GA5116	3	Bearing, 7/8" Hex Bore, Cylindrical
	GA5624	1	Special Bearing, 7/8" Hex Bore x 1.6"
	GD6551	4	Ring
	G10640	-	Grease Fitting, 1/4"-28
20.	GD7127	1	Shear Coupler
21.	G10462	1	Cotter Pin, 3/16" x 2"
22.	GD7822	1	Shaft, 7/8" x 7"
23.	GA7336	1	Idler W/Bolt-On Sprockets
	GD7426	-	Sprocket, 12 Tooth
	GD1026	-	Sleeve, 1 3/16" Long
	G10210	-	Washer, 3/8" USS
	G10229	-	Lock Washer, 3/8"
	G10047	-	Hex Head Cap Screw, 3/8"-16 x 1 3/4"
24.	G10226	1	Washer, 1 1/4" SAE
25.	G3310-80	1	Chain, No. 40, 80 Pitch Including Connector Link
	GR0912	-	Connector Link, No. 40
26.	G10004	-	Hex Head Cap Screw, 3/8"-16 x 1 1/4"
	G10229	-	Lock Washer, 3/8"
	G10101	1	Hex Nut, 3/8"-16
27.	GA2180	2	Hanger Bearing, 7/8" Hex Bore
28.	GD11045	-	Lock Clamp
29.	G10130	-	Square Head Machine Bolt, 5/16"-18 x 1 3/4"
	G10923	-	Flange Nut, 5/16"-18, No Serration
30.	GD11394-63	1	Hex Shaft, 7/8" x 63" (2 Holes), L.H., 8 Row 36"/38"
	GD11394-73	1	Hex Shaft, 7/8" x 73" (2 Holes), R.H., 8 Row 36"/38"
	GD11394-79	-	Hex Shaft, 7/8" x 79" (2 Holes), L.H., 12 Row 30"
	GD11394-90	-	Hex Shaft, 7/8" x 90" (2 Holes), R.H., 12 Row 30"
31.	GD2962	2	Spring
32.	G10880	3	Hex Head Cap Screw, 1/4"-20 x 2 1/4"
	G10110	3	Lock Nut, 1/4"-20, Grade B
33.	G10496	2	External Inverted Snap Ring, 1 1/2"
34.	G11075	3	External Inverted Snap Ring, 7/8"
35.	GD14432	1	Sleeve, 1 1/4"
36.	GD14431	1	Handle
37.	GD14427	1	Tightener Shaft, 4 7/8"
38.	GD14430	1	Release Collar, Gold, R.H. (Shown)
	GD14429	-	Release Collar, Silver, L.H.
39.	GD14413	-	Torsion Spring, L.H. (Shown)
	GD14414	1	Torsion Spring, R.H.
40.	G11100	1	Hex Socket Button Head Cap Screw, 1/4"-20 x 1/2", Grade 8
	G10227	1	Lock Washer, 1/4"
	G10209	1	Washer, 1/4" USS
41.	G11078	1	Vinyl Cap
A.	G1K269	-	Lock Clamp Kit (Items 28 And 28)
B.	G1K378	1	Wrap Spring Wrench Replacement Kit, Gold Collar, R.H. (Items 33-41) (Shown)
	G1K379	-	Wrap Spring Wrench Replacement Kit, Silver Collar, L.H. (Items 33-41)

ROW MARKER ASSEMBLY

(MKR22ggg)

R.H. Side Shown



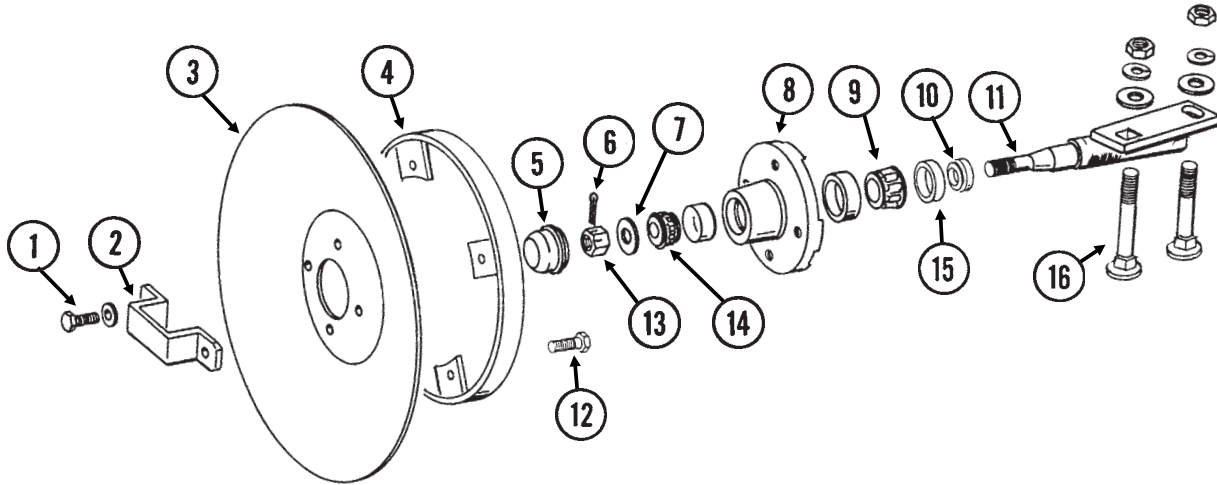
TEM	PART NO.	QTY.	DESCRIPTION
		(Per Assy.)	
1.	GD0453-02	1	Extension Tube, 40", 8 Row 36"/38"
	GD0453-03	-	Extension Tube, 50", 12 Row 30"
2.	GA8120	1	Arm, Third Stage, 19 1/2", 8 Row 36"/38"
	GA8075	-	Arm, Third Stage, 35", 12 Row 30"
3.	GD2721	1	U-Bolt, 2" x 2" x 1/2"-13
	G10228	2	Lock Washer, 1/2"
	G10102	2	Hex Nut, 1/2"-13

ROW MARKER ASSEMBLY

ITEM	PART NO.	QTY. (Per Assy.)	DESCRIPTION
4.	GD11141	1	Spacer, 8 Row 36"/38" Only
5.	GA9145	1	Molded Stop, 6 1/4" Long
6.	G10047	2	Hex Head Cap Screw, 3/8"-16 x 1 3/4"
	G10809	-	Hex Head Cap Screw, 3/8"-16 x 3 1/4"
	G10210	2	Washer, 3/8" USS
	G10108	2	Lock Nut, 3/8"-16
7.	GA8119	1	Arm W/Grease Fitting, Second Stage, 60", 8 Row 36"/38"
	GA8076	-	Arm W/Grease Fitting, Second Stage, 72", 12 Row 30"
	G10641	-	Grease Fitting, 1/8" NPT
8.	G10226	3	Washer, 1 1/4" SAE
9.	GD15386	2	Pin, 1 1/4" x 7 5/8"
	G10460	2	Cotter Pin, 1/4" x 2"
10.	GA11766	1	Pin W/Grease Fitting, 1 1/4" x 11 13/16"
	G10640	-	Grease Fitting, 1/4"-28
	G10463	1	Cotter Pin, 1/4" x 1 1/2"
11.		-	See "Row Marker Cylinder", Page P66
12.	GD5875	1	Hose Clamp, 9/16" x 2 1/2" x 2"
13.	G10133	1	Hex Head Cap Screw, 5/16"-18 x 1 1/2"
	G10232	1	Lock Washer, 5/16"
	G10106	1	Hex Nut, 5/16"-18
14.	GA11767	1	Pin W/Grease Fitting, 1 1/4" x 9 1/2"
	G10640	-	Grease Fitting, 1/4"-28
	G10463	1	Cotter Pin, 1/4" x 1 1/2"
15.	GA8073	1	Mount
16.	G10879	4	Flanged 12 Point Bolt, 5/8"-11 x 2", Special Hardened
	G10230	2	Lock Washer, 5/8"
	G10104	2	Hex Nut, 5/8"-11
17.	GA11592	1	Arm, First Stage
18.	G10560	2	Clevis Pin, 1/2" x 1 3/4"
	G10451	-	Cotter Pin, 1/8" x 1"
19.	GD8218	1	Yoke
20.	G10503	1	Hex Jam Nut, 5/8"-11, Grade 2
21.	GD11115	1	Plain Yoke
22.	G3302-08	1	Coil Chain, No. 9/0, 24 Links, 8 Row 36"/38"
	G3302-07	1	Coil Chain, No. 9/0, 28 Links, 12 Row 30"
23.	GD10674-03	1	Chain Cover, 48", 8 Row 36"/38"
	GD10674-02	-	Chain Cover, 56", 12 Row 30"
24.	GD2697	1	Pin, 7/8" x 11"
	G10463	2	Cotter Pin, 1/4" x 1 1/2"
25.	GD2971-11	1	Sleeve, 1 7/8" Long
26.	G10049	1	Hex Head Cap Screw, 3/8"-16 x 2 1/2"
	G10210	1	Washer, 3/8" USS
	G10108	1	Lock Nut, 3/8"-16
27.	GA8072	1	Linkage, 10"
28.	G10862	1	Hex Head Cap Screw, 5/8"-11 x 3 1/4"
	G10107	2	Lock Nut, 5/8"-11

ROW MARKER SPINDLE/HUB/BLADE

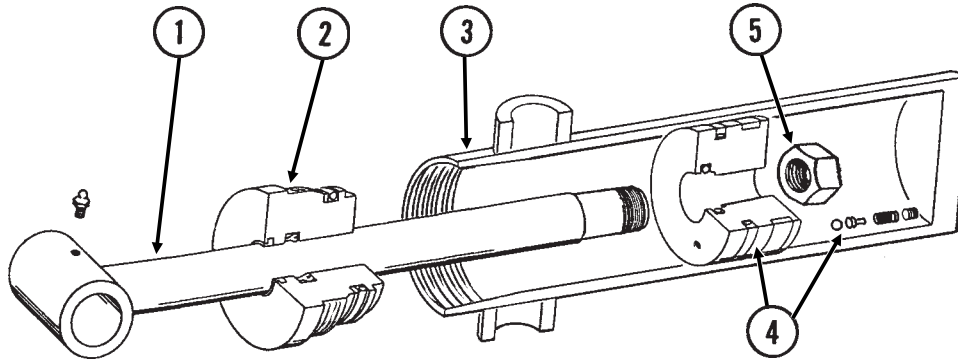
MKR020(MKR4a)



ITEM	PART NO.	QTY. (Per Assy.)	DESCRIPTION
1.	G10722	4	Hex Head Cap Screw, 1/2"-20 x 1"
	G10228	4	Lock Washer, 1/2"
2.	GD2597	1	Retainer
3.	GD0746	1	Disc Blade, Solid, 16" (Shown)
	GD10283	-	Disc Blade, Notched, 16" (Optional)
4.	GA5853	1	Depth Band
5.	GD0840	1	Dust Cap
6.	G10544	1	Cotter Pin, 5/32" x 1"
7.	G10724	1	Washer, 5/8" SAE
8.	GA0167	1	Hub W/Cups, 4 Bolt
	GR0151	-	Outer Cup
	GR0150	-	Inner Cup
9.	GA0245	1	Bearing
10.	GA0899	1	Rubber Seal
11.	GA1677	1	Spindle, L.H. (Shown)
	GA1676	-	Spindle, R.H.
12.	G10019	4	Hex Head Cap Screw, 5/16"-18 x 1"
	G10109	4	Lock Nut, 5/16"-18, Grade 8
13.	G10725	1	Slotted Hex Nut, 5/8"-18
14.	GA0257	1	Bearing
15.	GA0243	1	Grease Seal
16.	G10844	2	Carriage Bolt, 1/2"-13 x 3 1/2"
	G10168	2	Machine Bushing, 1/2", 7 Gauge
	G10228	2	Lock Washer, 1/2"
	G10102	2	Hex Nut, 1/2"-13
A.	GA1679	-	Hub And Spindle Assembly, L.H. (Items 1, 2, 5-11 And 13-15)
	GA1678	-	Hub And Spindle Assembly, R.H. (Items 1, 2, 5-11 And 13-15)

MASTER LIFT CYLINDER

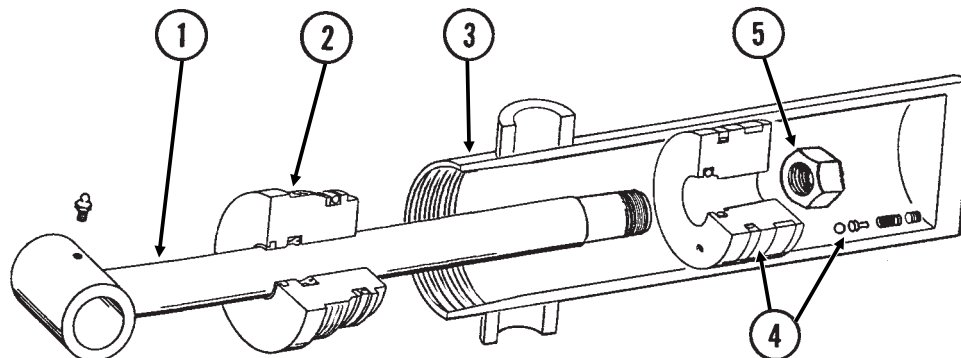
CYL038(CYL1a)



ITEM	PART NO.	QTY.	DESCRIPTION
1.	GA8912 G10640	1 -	Rod Assembly W/Grease Fitting Grease Fitting, 1/4"-28
2.	GD12507	1	Gland
3.	A4295	1	Barrel (Non-Stock Item)
4.	GA8916 GR1169	1 -	Piston W/Rephasing Valve Rephasing Valve Replacement Kit (Includes Set Screw, Guide, 2 Springs And Ball)
5.	G10958	1	Lock Nut, 1"-14
A.	GA8917	-	Cylinder Complete, 3 1/2" x 8" (Part Number Stamped On Barrel)
B.	GR1528	-	Seal Kit, Includes: (1) Wear Ring, (2) O-Rings, (1) BU Ring, (1) U-Cup, (1) Wiper, (1) T-Seal

SLAVE LIFT CYLINDER

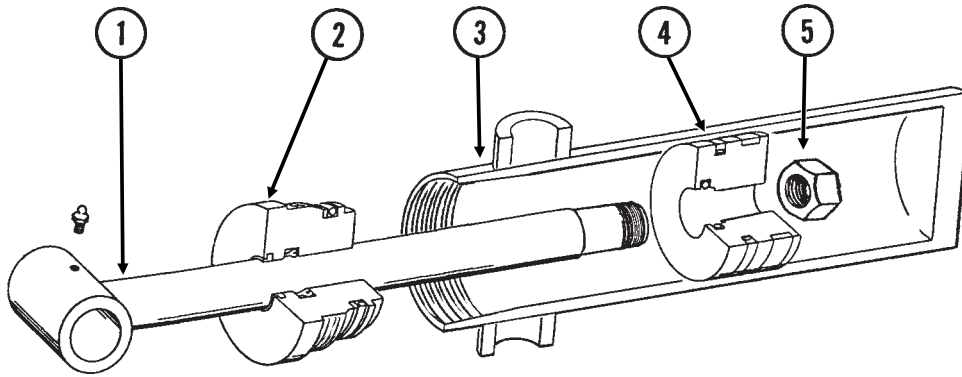
CYL038(CYL1a)



ITEM	PART NO.	QTY.	DESCRIPTION
1.	GA8912 G10640	1 -	Rod Assembly W/Grease Fitting Grease Fitting, 1/4"-28
2.	GD12505	1	Gland
3.	A7538	1	Barrel (Non-Stock Item)
4.	GA8914 GR1169	1 -	Piston W/Rephasing Valve Rephasing Valve Replacement Kit (Includes Set Screw, Guide, 2 Springs And Ball)
5.	G10958	1	Lock Nut, 1"-14
A.	GA8915	-	Cylinder Complete, 3 1/4" x 8" (Part Number Stamped On Barrel)
B.	GR1527	-	Seal Kit, Includes: (1) Wear Ring, (1) T-Seal, (2) O-Rings, (1) BU Ring, (1) U-Cup, (1) Wiper

ASSIST CYLINDER

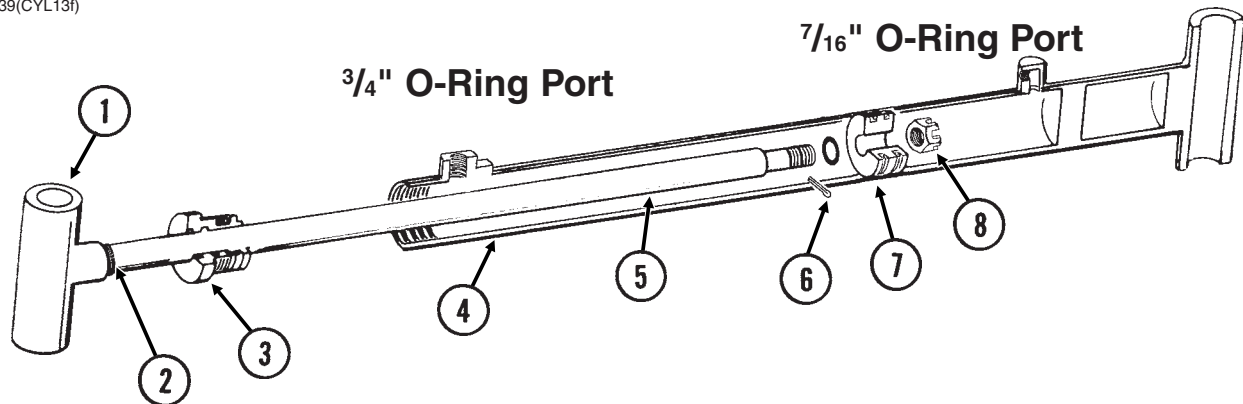
CYL026(CYL4e)



ITEM	PART NO.	QTY.	DESCRIPTION
1.	GA8912	1	Rod Assembly W/Grease Fitting
	G10640	-	Grease Fitting, 1/4"-28
2.	GD12505	1	Gland
3.	A7538	1	Barrel (Non-Stock Item)
4.	GD12504	1	Piston
5.	G10958	1	Lock Nut, 1"-14
A.	GA8913	-	Cylinder Complete, 3 1/4" x 8" (Part Number Stamped On Barrel)
B.	GR1527	-	Seal Kit, Includes: (1) Wear Ring, (1) T-Seal, (2) O-Rings, (1) BU Ring, (1) U-Cup, (1) Wiper

ROW MARKER (CUSHION) CYLINDER

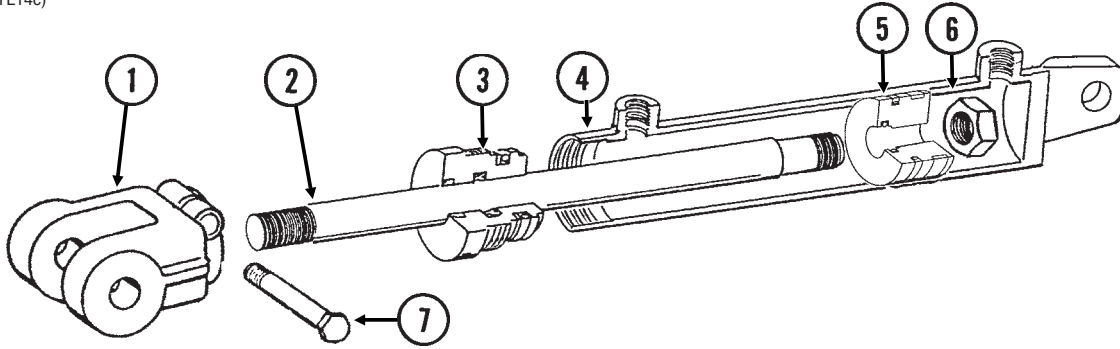
CYL039(CYL13f)



ITEM	PART NO.	QTY.	DESCRIPTION
1.	GD14308	1	Threaded Sleeve End
2.	G10526	4	Machine Bushing, 1" (.048" Thick)
3.	GD10207	1	Gland
4.	A8836	1	Barrel (Non-Stock Item)
5.	GD14529	1	Rod
6.	G10827	1	Cotter Pin, 1/8" x 1 3/4"
7.	GD11983	1	Piston
8.	G10962	1	Slotted Hex Nut, 7/8"-14
A.	GA10123	-	Cylinder Complete, 2 1/2" x 20 1/16" (Part Number Stamped On Barrel)
B.	GR1521	-	Seal Kit, Includes: (1) T Seal, (2) O-Rings, (1) BU Ring, (1) U-Cup, (1) Wiper, (1) Cast Iron Ring

HYDRAULIC WING FOLD CYLINDER

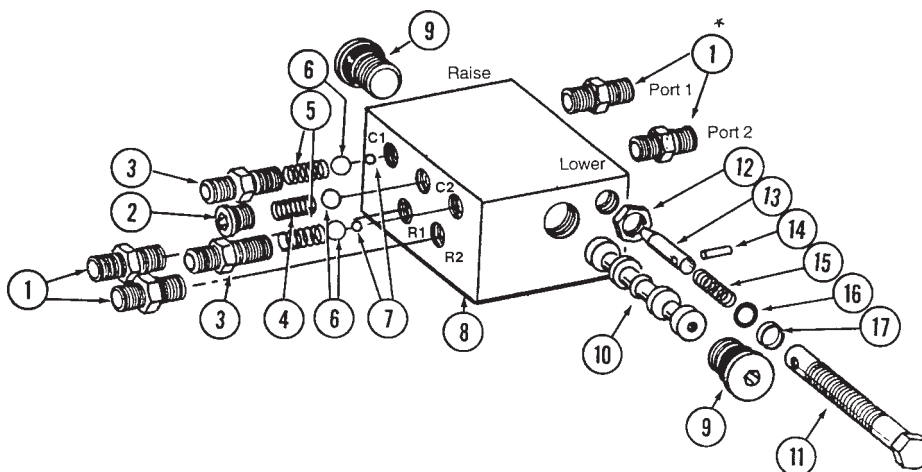
CYL032(CYL14c)



ITEM	PART NO.	QTY.	DESCRIPTION
1.	GD11950	1	Clevis
2.	GD12501	1	Rod
3.	GD11999	1	Gland
4.	A6524	1	Barrel (Non-Stock Item)
5.	GD12502	1	Piston
6.	G10958	1	Lock Nut, 1"-14
7.	G10939	1	Hex Head Cap Screw, $\frac{3}{8}$ "-16 x 2 $\frac{1}{4}$ "
	G10108	1	Lock Nut, $\frac{3}{8}$ "-16
A.	GA8911	-	Cylinder Complete, 3" x 16" (<i>Part Number Stamped On Barrel</i>)
B.	GR1526	-	Seal Kit, Includes: (1) Wear Ring, (1) T-Seal, (2) O-Rings, (1) BU Ring, (1) U-Cup, (1) Wiper

ROW MARKER SEQUENCING/FLOW CONTROL VALVE

VVB025(PT9a)

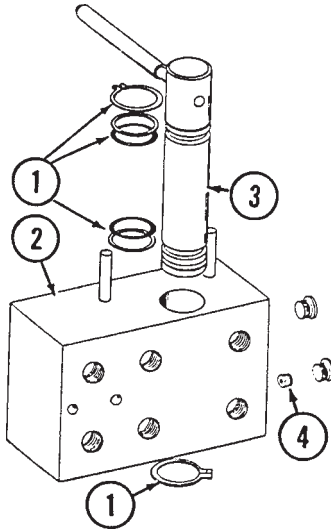


ITEM	PART NO.	QTY.	DESCRIPTION
1.	*G6400-06	4	Connector W/O-Ring, 9/16"-18 Male 37° JIC To 9/16"-18 O-Ring
	GR1045	-	O-Ring
2.	GR1034	1	Hex Socket Plug W/O-Ring
	GR1035	-	O-Ring
3.	GR1032	2	Port Adapter W/O-Ring
	GR1045	-	O-Ring
4.	GR1033	1	Detent Spring
5.	GR1036	2	Spring
6.	GR1044	3	7/16" Check Ball
7.	GR1043	2	1/4" Steel Ball
8.		-	Valve Body (Non-Stock Item)
9.	GR1047	2	Hex Socket Plug W/O-Ring
	GR1037	-	O-Ring
10.		-	Spool (Non-Stock Item)
11.	GR1042	2	Adjustment Screw
12.	GR1048	2	Hex Jam Nut, 1/2"-20
13.	GR1038	2	Needle
14.	GR1039	2	Spring Pin
15.	GR1046	2	Compression Spring
16.	GR1040	2	O-Ring
17.	GR1041	2	Teflon BU Ring
A.	GA5552	-	Valve Assembly Complete (Items 1-17)
B.	GA5572	-	Flow Control Portion Only (Items 11-17)

*Not used on machines with 3/8" hoses.

HYDRAULIC WING FOLD SELECTOR VALVE

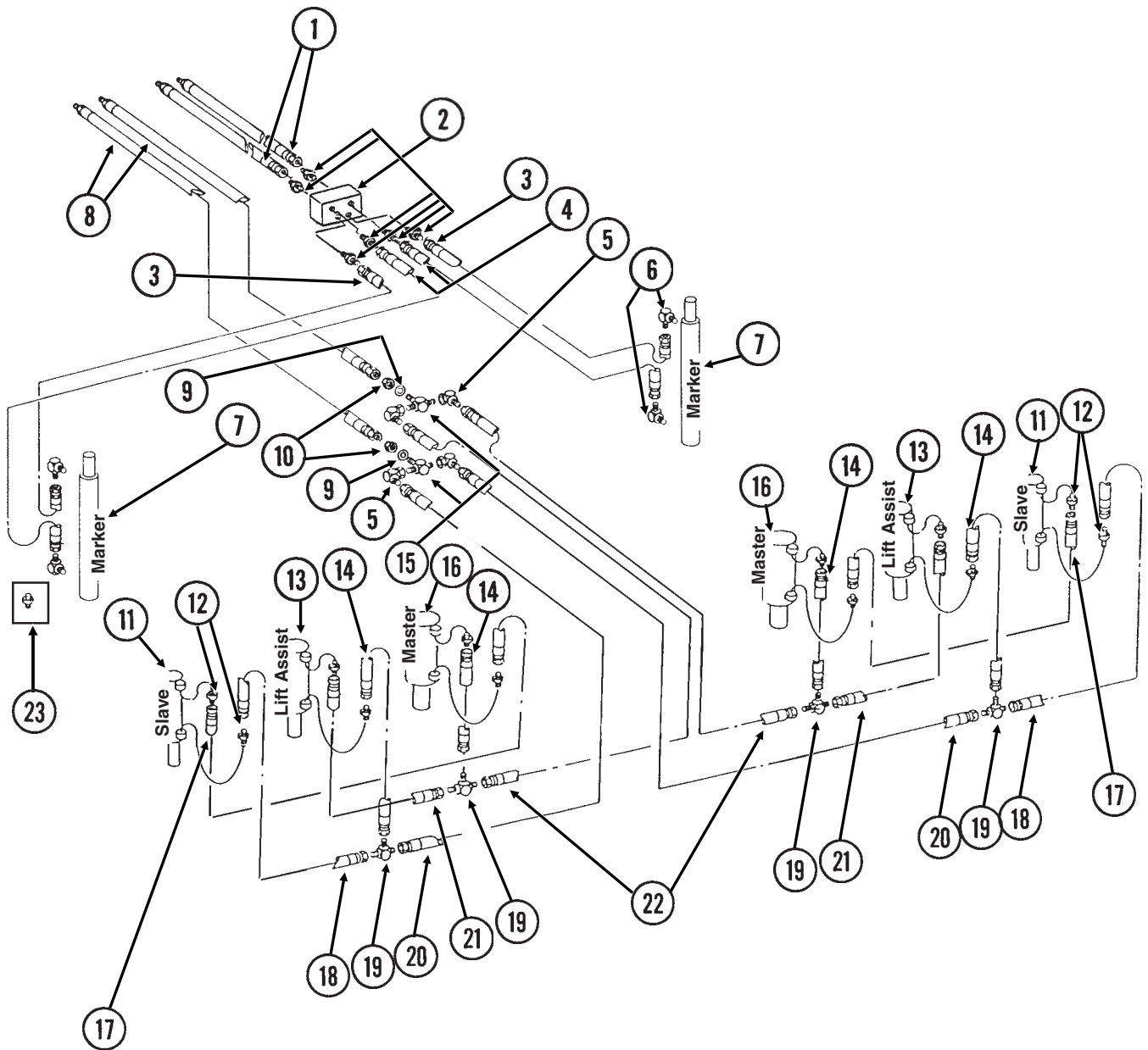
VVB028(EF8)



ITEM	PART NO.	QTY.	DESCRIPTION
1.	GR1096	-	Seal Kit, Includes: (2) Retaining Rings, (2) O-Rings, (2) BU Rings
2.	R1176	-	Block (Non-Stock Item)
3.	GR1177	1	Spool W/Handle
4.	GR1178	1	Restrictor
A.	GA6438	-	Valve Assembly (Items 1-4)

HYDRAULIC SYSTEM

PHS036(EF9g)



HYDRAULIC SYSTEM

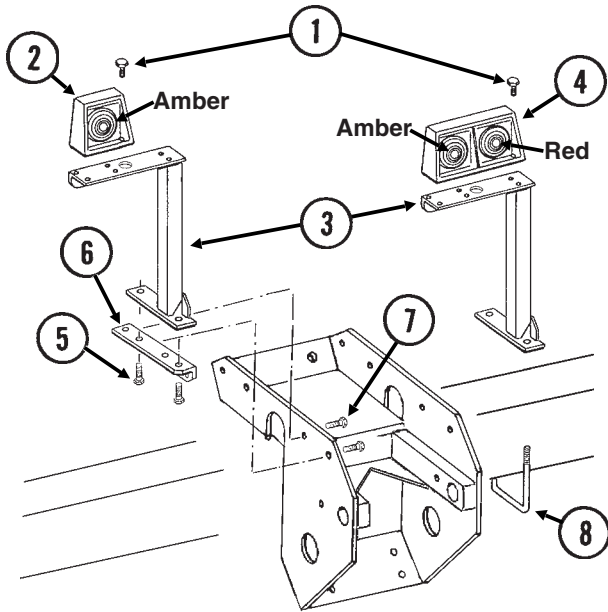
ITEM	PART NO.	QTY.	DESCRIPTION
1.	*A3202	2	Hose Assembly, $\frac{3}{8}$ " x 172", 8 Row 36"/38" And 12 Row 30"
2.		-	See "Row Marker Sequencing/Flow Control Valve", Page P68 And "Hitch And Safety Chain", Pages P40 And P41
3.	*A12008	2	Hose Assembly, $\frac{3}{8}$ " x 233", 8 Row 36"/38"
	*A12010	-	Hose Assembly, $\frac{3}{8}$ " x 259", 12 Row 30"
4.	*A12007	2	Hose Assembly, $\frac{3}{8}$ " x 217", 8 Row 36"/38"
	*A12009	-	Hose Assembly, $\frac{3}{8}$ " x 244", 12 Row 30"
5.	G6500-08	4	Swivel Elbow, 90°, $\frac{3}{4}$ "-16 Male JIC To Female
6.	G6801-08	2-4	Elbow W/O-Ring, 90°, $\frac{3}{4}$ "-16 Male JIC To O-Ring
	GR1037	-	O-Ring
7.		-	See "Row Marker Cylinder", Page P66
8.	*A3130	2	Hose Assembly, $\frac{3}{8}$ " x 173", 8 Row 36"/38" And 12 Row 30"
9.	G10215	2	Machine Bushing, $\frac{3}{4}$ ", 14 Gauge
10.	G306-08	2	Lock Nut, $\frac{3}{4}$ "-16
11.		-	See "Slave Lift Cylinder", Page P65
12.	G6400-08	12	Connector W/O-Ring, $\frac{3}{4}$ "-16 Male JIC To O-Ring
	GR1037	-	O-Ring
13.		-	See "Assist Cylinder", Page P66
14.	*A1000	4	Hose Assembly, $\frac{3}{8}$ " x 15"
15.	G2703-08	2	Bulkhead Tee, $\frac{3}{4}$ "-16 Male JIC
16.		-	See "Master Lift Cylinder", Page P65
17.	*A1024	2	Hose Assembly, $\frac{3}{8}$ " x 116", 8 Row 36"/38"
	*A3114	-	Hose Assembly, $\frac{3}{8}$ " x 156", 12 Row 30"
18.	*A1055	2	Hose Assembly, $\frac{3}{8}$ " x 66", 8 Row 36"/38"
	*A1010	-	Hose Assembly, $\frac{3}{8}$ " x 120", 12 Row 30"
19.	G2603-08	4	Tee, $\frac{3}{4}$ "-16 Male JIC
20.	*A3136	2	Hose Assembly, $\frac{3}{8}$ " x 100", 8 Row 36"/38"
	*A3176	-	Hose Assembly, $\frac{3}{8}$ " x 86", 12 Row 30"
21.	*A1021	2	Hose Assembly, $\frac{3}{8}$ " x 56", 8 Row 36"/38"
	*A1020	-	Hose Assembly, $\frac{3}{8}$ " x 48", 12 Row 30"
22.	*A3128	2	Hose Assembly, $\frac{3}{8}$ " x 52", 8 Row 36"/38"
	*A1020	-	Hose Assembly, $\frac{3}{8}$ " x 48", 12 Row 30"
23.	G6400-08-04	2	Connector W/O-Ring, $\frac{3}{4}$ "-16 Male JIC To $\frac{7}{16}$ "-20 O-Ring
	GR1045	-	O-Ring

* Hydraulic hose is not stocked by KINZE® Repair Parts, but can be made available on a special order basis. Call for quote.

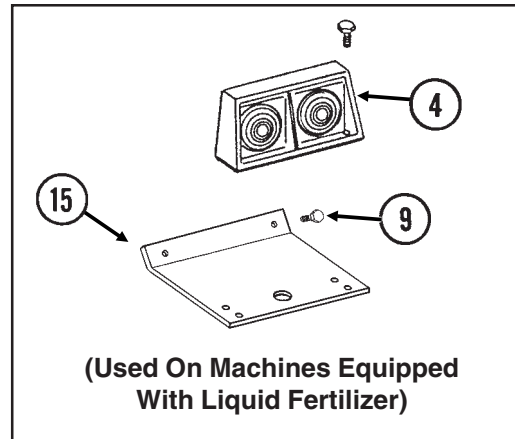
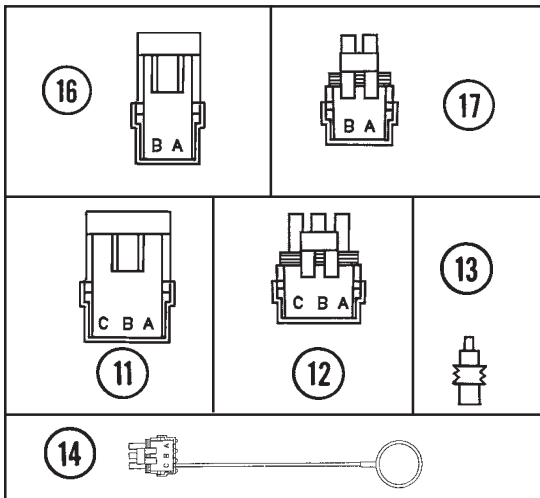
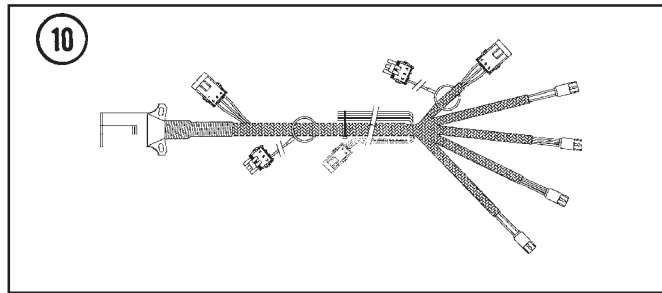
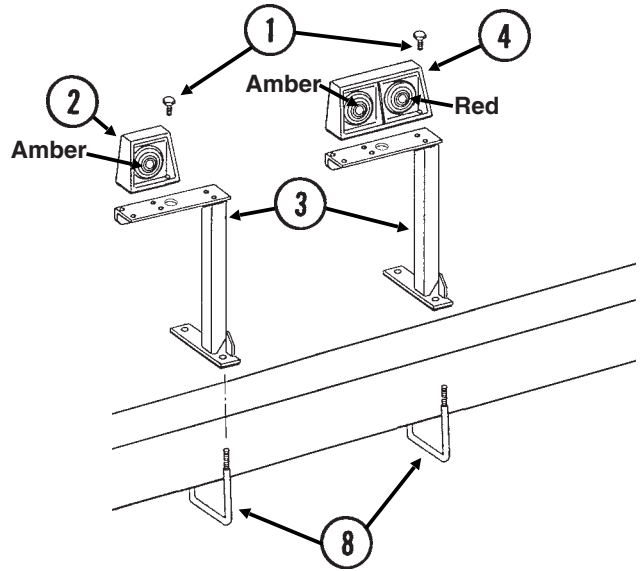
ELECTRICAL COMPONENTS

(EF64c/INS7d/ELC9/MTR27a/A9206a)

8 Row 36"/38"



12 Row 30"

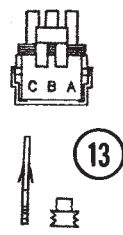
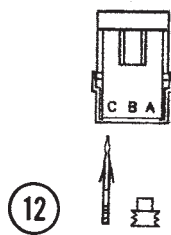
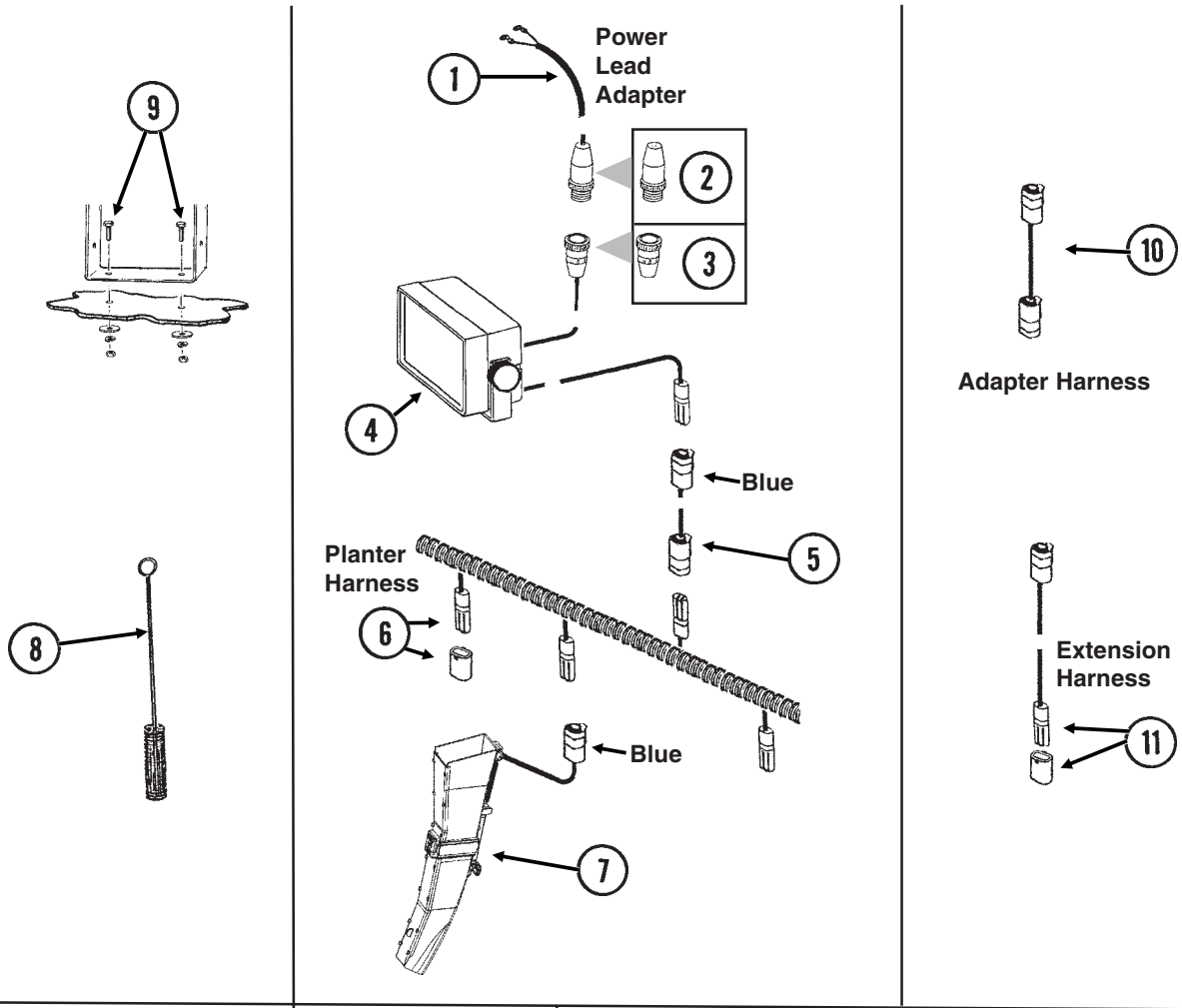


ELECTRICAL COMPONENTS

ITEM	PART NO.	QTY.	DESCRIPTION
1.	G10064	8	Hex Head Cap Screw, 1/4"-20 x 1"
	G10209	8	Washer, 1/4" USS
	G10110	8	Lock Nut, 1/4"-20, Grade B
2.	GA6701	2	Single Amber Light Assembly
	GR1204	-	Amber Lens
	GR1206	-	Rubber Grommet (2)
	GR1207	-	Lamp Unit
	GR1208	-	Bulb
3.	GA6824	-	Bracket, R.H.
	GA6823	1	Bracket, L.H. (Shown)
4.	GA6700	1	Double Light Assembly
	GA6699	1	Double Light Assembly
	GR1203	-	Red Lens
	GR1204	-	Amber Lens
	GR1205	-	Cover
	GR1206	-	Rubber Grommet (4)
	GR1207	-	Lamp Unit
	GR1208	-	Bulb
5.	G10017	4	Hex Head Cap Screw, 1/2"-13 x 1 1/2"
	G10228	4	Lock Washer, 1/2"
	G10102	4	Hex Nut, 1/2"-13
6.	GD11285	2	Angle
7.	G10003	4	Hex Head Cap Screw, 3/8"-16 x 1 1/2"
	G10229	4	Lock Washer, 3/8"
	G10101	4	Hex Nut, 3/8"-16
8.	GD7145	2-4	U-Bolt, 7" x 7" x 1/2"-13
	G10228	4-8	Lock Washer, 1/2"
	G10102	4-8	Hex Nut, 1/2"-13
9.	G10209	4	Washer, 1/4" USS
	G10110	4	Lock Nut, 1/4"-20, Grade B
	G10023	4	Hex Head Cap Screw, 1/4"-20 x 3/4"
10.	GA9207	-	Wiring Harness W/7 Terminal Female Connector, 329" (4 Light Connections)
	GA5385	-	7 Terminal Female Connector
11.	G1K248	-	3-Pin Female Connector Kit (Black), Includes: (3) 3-Pin Female Housings, (9) Pin Contacts, (9) Seals
12.	G1K252	-	3-Pin Male Connector Kit (Black), Includes: (3) 3-Pin Male Housings, (9) Socket Contacts, (9) Seals
13.	GD11089	-	Sealing Plug
14.	GA8047	-	Dust Plug (Black)
15.	GA9209	2	Light Bracket
16.	G1K321	-	2-Pin Female Connector Kit (Black), Includes: (3) 2-Pin Female Housings, (6) Pin Contacts, (6) Seals
17.	G1K320	-	2-Pin Male Connector Kit (Black), Includes: (3) 2-Pin Male Housings, (6) Socket Contacts, (6) Seals

KPM I ELECTRONIC SEED MONITOR

(MTR46bb/A11948)



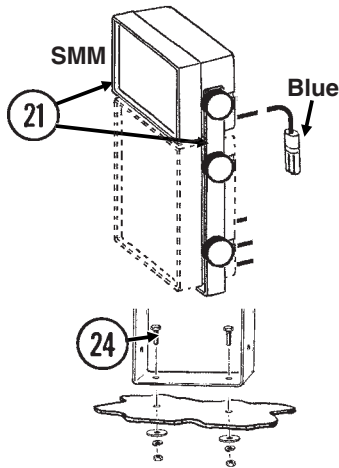
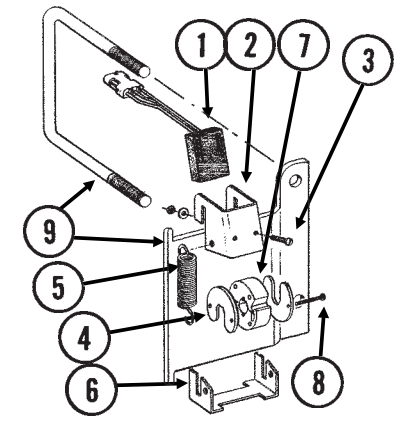
KPM I ELECTRONIC SEED MONITOR

ITEM	PART NO.	QTY.	DESCRIPTION
1.	GA7856	1	Power Lead Adapter
2.	G1K267	-	Power Lead Adapter Connector Kit, Includes: (1) Cable Clamp, (1) 3-Pin Connector, (3) Male Terminal Pins
3.	G1K268	-	Console Cable Connector Kit, Includes: (1) Cable Clamp, (1) 3-Pin Connector, (1) Lock Ring, (3) Female Terminal Pins
4.	GA10570	1	KPM I Backlit Console W/Mounting Bracket, Fuse Holder And Fuse, Power Lead Adapter (Item 11), Brush (Item 23) And Dust Plug (Item 34)
	GR1390	-	Mounting Bracket, KPM I
	GR1392	-	Console Mounting Bracket Hardware Package (Includes 2 Knobs And 1/4" Hardware)
	GA10601	-	Fuse Holder
	GD7639	-	Fuse
5.		-	Included In Light Wiring Harness, See Item 10, Pages P72 And P73
6.	GA7850	-	Planter Harness W/Dust Caps, 8 Row (12 Connectors)
	GA7851	-	Planter Harness W/Dust Caps, 12 Row (16 Connectors)
	GD11993	-	Dust Cap
7.	GA11948	-	Seed Tube W/Computerized Sensor
	GR1737	-	Sensor Only
	GA11947	-	Seed Tube (With Holes For Sensor Installation)
8.	GR0594	-	Brush
9.	G10022	2	Hex Head Cap Screw, 1/4"-20 x 1/2"
	G10211	2	Washer, 1/4" SAE
	G10227	2	Lock Washer, 1/4"
	G10103	2	Hex Nut, 1/4"-20
10.	GA7857	-	Adapter Harness, 1'
11.	GA7854	-	Extension Harness W/Dust Cap, 15'
	GA7855	-	Extension Harness W/Dust Cap, 30'
	GD11993	-	Dust Cap
12.	G1K248	-	3-Pin Female Connector Kit (Black), Includes: (3) 3-Pin Female Housings, (9) Pin Contacts, (9) Seals
	G1K362	-	3-Pin Female Connector Kit (Blue), Includes: (3) 3-Pin Female Housings, (9) Pin Contacts, (9) Seals
13.	G1K252	-	3-Pin Male Connector Kit (Black), Includes: (3) 3-Pin Male Housings, (9) Socket Contacts, (9) Seals
	G1K363	-	3-Pin Male Connector Kit (Blue), Includes: (3) 3-Pin Male Housings, (9) Socket Contacts, (9) Seals
14.	GD11089	-	Sealing Plug
15.	GA8046	-	Dust Plug (Black)
	GA9978	-	Dust Plug (Blue)
16.	GA8047	-	Dust Plug (Black)
	GA9979	-	Dust Plug (Blue)

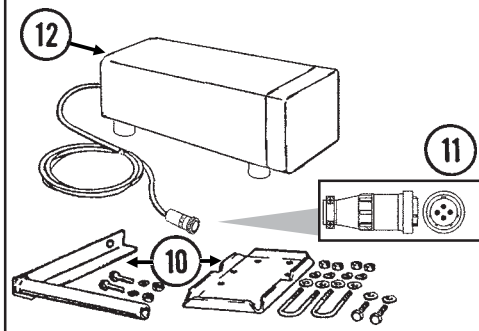
KPM II STACK-MODE ELECTRONIC SEED MONITOR

(MTR43nnn)

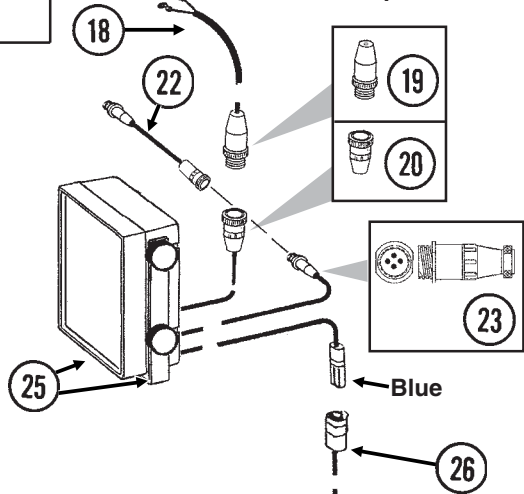
Shaft Rotation Sensor



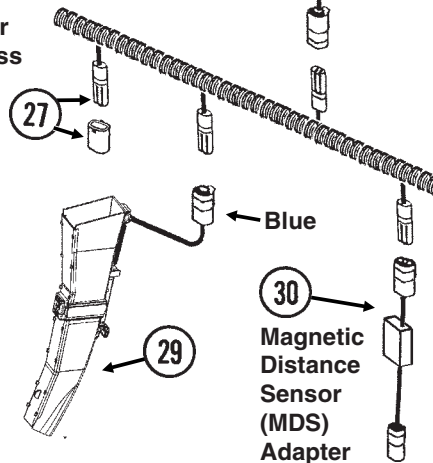
Radar Distance Sensor



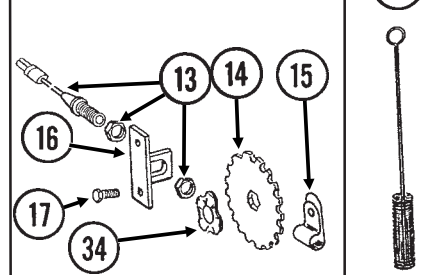
Power Lead Adapter



Planter Harness



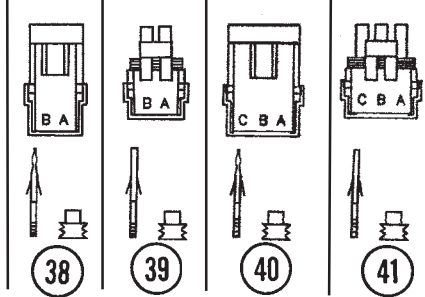
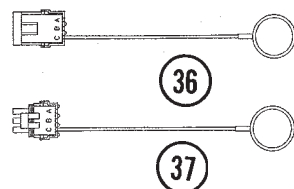
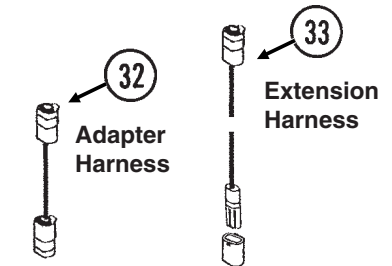
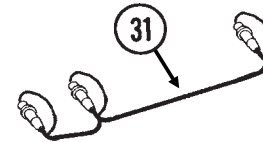
Magnetic Distance Sensor (MDS)



28



Radar Y-Cable



ITEM	PART NO.	QTY.	DESCRIPTION
1.	GR1415	1	Rotation Sensor
2.	GD11169	1	Mount
3.	G10757	2	Pan Head Screw, No. 10-32 x 1 1/4"
	G10243	2	Washer, No. 10 SAE
	G10758	2	Hex Nut, No. 10-32
4.	GD11474	2	Cover
5.	GD5857	2	Spring
6.	GD11170	1	Spring Mount
7.	GR1414	1	Actuator

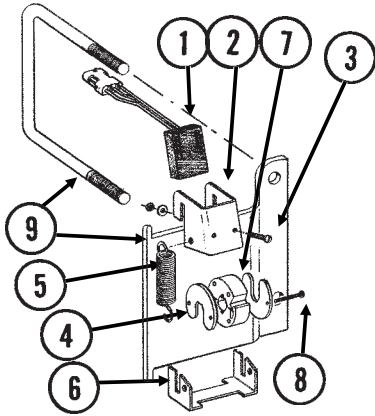
KPM II STACK-MODE ELECTRONIC SEED MONITOR

ITEM	PART NO.	QTY.	DESCRIPTION
8.	G10927	2	Pan Head Machine Screw, No. 8-32 x 1 1/4", Stainless Steel
	G10931	2	Lock Washer, No. 8, Internal/External, Stainless Steel
	G10928	2	Hex Nut, No. 8-32, Stainless Steel
9.	G1K364	-	Rotation Sensor Mount Kit, Includes: (2) Mounts, (2) GD11721 5" x 7" U-Bolts, (4) G10228 Lock Washers, (4) G10102 Hex Nuts, (1) Instruction
10.	GA8026	-	Radar Sensor Pipe/Mounting Bracket Package
11.	G1K323	-	4-Pin Connector Kit W/Female Housing, (4) Pins And (1) Cable Clamp
12.	GA7858	-	Radar Distance Sensor W/20' Cable
13.	GA5600	1	Magnetic Distance Sensor
14.	GD8751	-	Magnetic Distance Sensor Pulse Wheel
15.	GD6291	-	Insulated Clamp, 3/8"
16.	GD8770	1	Bracket
17.	G10001	2	Hex Head Cap Screw, 3/8"-16 x 1"
	G10229	2	Lock Washer, 3/8"
	G10101	2	Hex Nut, 3/8"-16
18.	GA7856	1	Power Lead Adapter
19.	G1K267	-	Power Lead Adapter Connector Kit, Includes: (1) 3-Pin Connector, (1) Cable Clamp, (3) Male Terminal Pins
20.	G1K268	-	Console Cable Connector Kit, Includes: (1) 3-Pin Connector, (1) Cable Clamp, (1) Lock Ring, (3) Female Terminal Pins
21.	GA9857	1	SMM Backlit Console W/Mounting Bracket And Dust Plug (Item 36)
	GR1631	-	Mounting Bracket, KPM II Stack-Mode And SMM Consoles
	GR1632	-	Console Mounting Bracket Hardware Package (Includes 2 Knobs And 1/4" Hardware)
22.	GA9144	-	Monitor/Radar Adapter Cable, 10"
23.	G1K322	-	4-Pin Connector Kit W/Male Housing, (4) Female Socket Contacts And (1) Cable Clamp
24.	G10022	2	Hex Head Cap Screw, 1/4"-20 x 1/2"
	G10211	2	Washer, 1/4" SAE
	G10227	2	Lock Washer, 1/4"
	G10103	2	Hex Nut, 1/4"-20
25.	GA10575	-	KPM II Backlit Console W/Mounting Bracket, Fuse Holder And Fuse, Power Lead Adapter (Item 18), Brush (Item 28), Dust Plug (Item 36) And Monitor/Radar Adapter, 10" (Item 22)
	GR1391	-	Mounting Bracket, KPM II
	GR1393	-	Console Mounting Bracket Hardware Package (Includes 4 Knobs And 1/4" Hardware)
	GA10601	-	Fuse Holder
	GD7639	-	Fuse
26.		-	Included In Light Wiring Harness. See Item 10 On Pages P72 And P73
27.	GA7850	1	Planter Harness W/Dust Caps, 8 Row (12 Connectors)
	GA7851	-	Planter Harness W/Dust Caps, 12 Row (16 Connectors)
	GD11993	-	Dust Cap
28.	GR0594	-	Brush
29.	GA11948	-	Seed Tube W/Computerized Sensor (Shown)
	GR1737	-	Sensor Only
	GA11947	-	Seed Tube (With Holes For Sensor Installation)
30.	GA7859	1	Magnetic Distance Sensor Adapter (Analog To Digital)
31.	GR0586	1	Radar Y-Cable (Used To Connect Radar Distance Sensor For Multiple Functions)
32.	GA7857	-	Adapter Harness, 1'
33.	GA7854	-	Extension Harness W/Dust Cap, 15'
	GA7855	-	Extension Harness W/Dust Cap, 30'
	GD11993	-	Dust Cap
34.	GD8771	1	Spring Wave Washer
35.	G1K249	-	Acre Counter Switch Kit
36.	GA8046	-	Dust Plug (Black)
	GA9978	-	Dust Plug (Blue)
37.	GA8047	-	Dust Plug (Black)
	GA9979	-	Dust Plug (Blue)
38.	G1K321	-	2-Pin Female Connector Kit (Black), Includes: (3) 2-Pin Female Housings, (6) Pin Contacts, (6) Seals
39.	G1K320	-	2-Pin Male Connector Kit (Black), Includes: (3) 2-Pin Male Housings, (6) Socket Contacts, (6) Seals
40.	G1K248	-	3-Pin Female Connector Kit (Black), Includes: (3) 3-Pin Female Housings, (9) Pin Contacts, (9) Seals
	G1K362	-	3-Pin Female Connector Kit (Blue), Includes: (3) 3-Pin Female Housings, (9) Pin Contacts, (9) Seals
41.	G1K252	-	3-Pin Male Connector Kit (Black), Includes: (3) 3-Pin Male Housings, (9) Socket Contacts, (9) Seals
	G1K363	-	3-Pin Male Connector Kit (Blue), Includes: (3) 3-Pin Male Housings, (9) Socket Contacts, (9) Seals
42.	GD11089	-	Sealing Plug
A.	GA6147	-	Magnetic Distance Sensor And Mounting Package (Items 13-17 And 34)

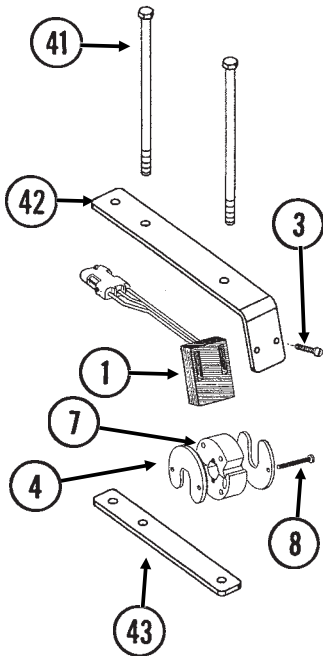
KPM III ELECTRONIC SEED MONITOR

(MTR54)

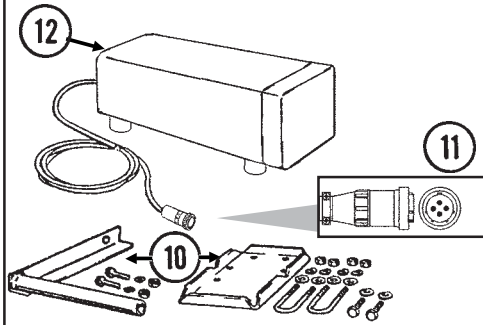
Shaft Rotation Sensor



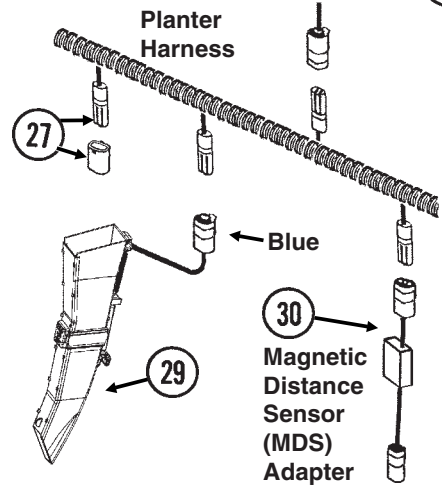
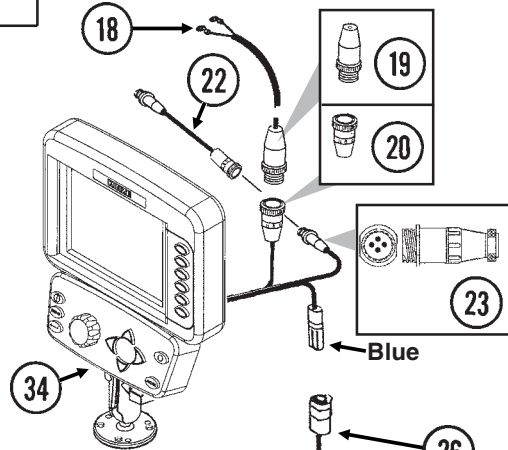
Shaft Rotation Sensor



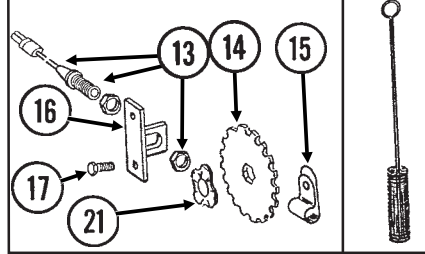
Radar Distance Sensor



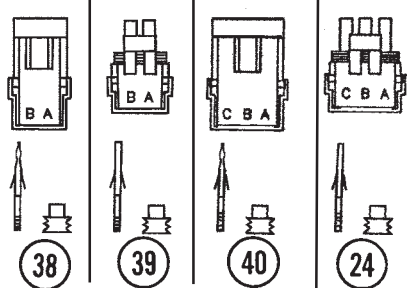
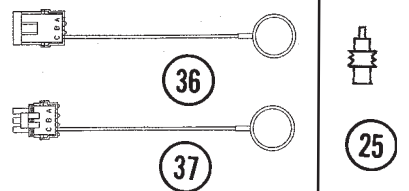
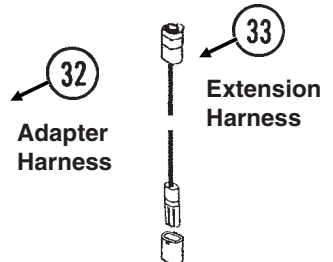
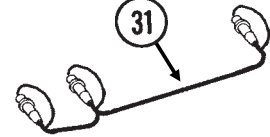
Power Lead Adapter



Magnetic Distance Sensor (MDS)



Radar Y-Cable



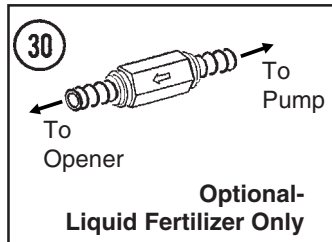
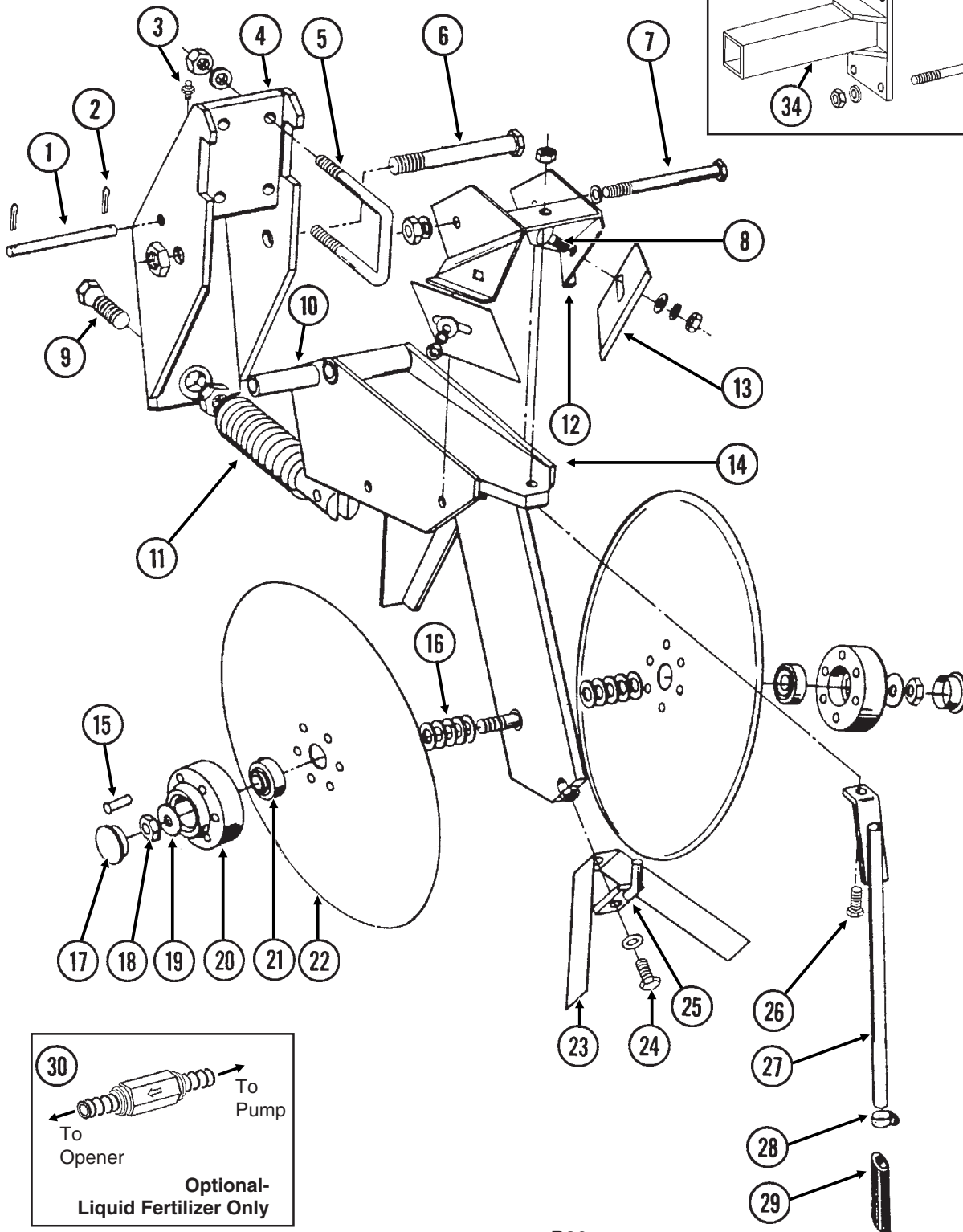
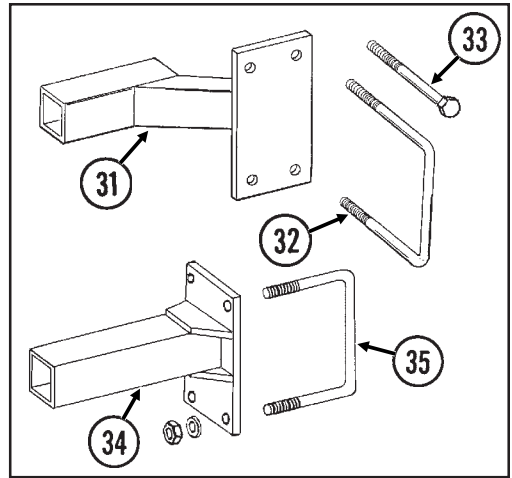
ITEM	PART NO.	QTY.	DESCRIPTION
1.	GR1415	1	Rotation Sensor
2.	GD11169	1	Mount
3.	G10757	2	Pan Head Screw, No. 10-32 x 1 1/4"
	G10243	2	Washer, No. 10 SAE
	G10758	2	Hex Nut, No. 10-32
4.	GD11474	2	Cover
5.	GD5857	2	Spring
6.	GD11170	1	Spring Mount
7.	GR1414	1	Actuator

KPM III ELECTRONIC SEED MONITOR

ITEM	PART NO.	QTY.	DESCRIPTION
8.	G10927	2	Pan Head Machine Screw, No. 8-32 x 1 1/4", Stainless Steel
	G10931	2	Lock Washer, No. 8, Internal/External, Stainless Steel
	G10928	2	Hex Nut, No. 8-32, Stainless Steel
9.	G1K364	-	Rotation Sensor Mount Kit, Includes: (2) Mounts, (2) GD11721 5" x 7" U-Bolts, (4) G10228 Lock Washers, (4) G10102 Hex Nuts, (1) Instruction
10.	GA8026	-	Radar Sensor Pipe/Mounting Bracket Package
11.	G1K323	-	4-Pin Connector Kit W/Female Housing, (4) Pins And (1) Cable Clamp
12.	GA7858	-	Radar Distance Sensor W/20' Cable
13.	GA5600	1	Magnetic Distance Sensor
14.	GD8751	-	Magnetic Distance Sensor Pulse Wheel
15.	GD6291	-	Insulated Clamp, 3/8"
16.	GD8770	1	Bracket
17.	G10001	2	Hex Head Cap Screw, 3/8"-16 x 1"
	G10229	2	Lock Washer, 3/8"
	G10101	2	Hex Nut, 3/8"-16
18.	GA7856	1	Power Lead Adapter
19.	G1K267	-	Power Lead Adapter Connector Kit, Includes: (1) 3-Pin Connector, (1) Cable Clamp, (3) Male Terminal Pins
20.	G1K268	-	Console Cable Connector Kit, Includes: (1) 3-Pin Connector, (1) Cable Clamp, (1) Lock Ring, (3) Female Terminal Pins
21.	GD8771	1	Spring Wave Washer
22.	GA9144	-	Monitor/Radar Adapter Cable, 10"
23.	G1K322	-	4-Pin Connector Kit W/Male Housing, (4) Female Socket Contacts And (1) Cable Clamp
24.	G1K252	-	3-Pin Male Connector Kit (Black), Includes: (3) 3-Pin Male Housings, (9) Socket Contacts, (9) Seals
	G1K363	-	3-Pin Male Connector Kit (Blue), Includes: (3) 3-Pin Male Housings, (9) Socket Contacts, (9) Seals
25.	GD11089	-	Sealing Plug
26.		-	Included In Light Wiring Harness. See Item 10 On Pages P72 And P73
27.	GA7850	1	Planter Harness W/Dust Caps, 8 Row (12 Connectors)
	GA7851	-	Planter Harness W/Dust Caps, 12 Row (16 Connectors)
	GD11993	-	Dust Cap
28.	GR0594	-	Brush
29.	GA12650	-	Seed Tube W/Computerized Sensor (Shown)
	GR1737	-	Sensor Only
	GA12636	-	Seed Tube (With Holes For Sensor Installation)
30.	GA7859	1	Magnetic Distance Sensor Adapter (Analog To Digital)
31.	GR0586	1	Radar Y-Cable (Used To Connect Radar Distance Sensor For Multiple Functions)
32.	GA7857	-	Adapter Harness, 1'
33.	GA7854	-	Extension Harness W/Dust Cap, 15'
	GA7855	-	Extension Harness W/Dust Cap, 30'
	GD11993	-	Dust Cap
34.	GA11039	1	KPM III Backlit Console W/Brush (Item 23), Dust Plug (Item 34), Mounting Bracket Assembly, Console Mounting Bracket Hardware And Power Harness
	GR1761	-	Mounting Bracket Assembly, Includes: (2) Mounting Brackets, (2) Connector Halves, (1) Compression Spring, (1) Tension Knob, (1) 1/4"-20 x 1 3/4" Hex Head Cap Screw, (1) 1/4" Plastic Washer, (1) 1/4" Steel Washer
	GR1762	-	Console Mounting Bracket Hardware Package, Includes: (3) No. 10-32 x 5/8" Hex Socket Pan Head Plated Screws, (3) No. 10 Plated Lock Washers
	GR1764	-	Power Harness
35.	G1K249	-	Acre Counter Switch Kit
36.	GA8046	-	Dust Plug (Black)
	GA9978	-	Dust Plug (Blue)
37.	GA8047	-	Dust Plug (Black)
	GA9979	-	Dust Plug (Blue)
38.	G1K321	-	2-Pin Female Connector Kit (Black), Includes: (3) 2-Pin Female Housings, (6) Pin Contacts, (6) Seals
39.	G1K320	-	2-Pin Male Connector Kit (Black), Includes: (3) 2-Pin Male Housings, (6) Socket Contacts, (6) Seals
40.	G1K248	-	3-Pin Female Connector Kit (Black), Includes: (3) 3-Pin Female Housings, (9) Pin Contacts, (9) Seals
	G1K362	-	3-Pin Female Connector Kit (Blue), Includes: (3) 3-Pin Female Housings, (9) Pin Contacts, (9) Seals
41.	G10686	4	Hex Head Cap Screw, 3/8"-16 x 8"
	G10229	4	Lock Washer, 3/8"
	G10101	4	Hex Nut, 3/8"-16
42.	GD18118	2	Shaft Sensor Mount
43.	GD18168	2	Mount
A.	GA6147	-	Magnetic Distance Sensor And Mounting Package (Items 13-17 And 21)

DOUBLE DISC FERTILIZER OPENER

(FRTZ175d/FRTZ168c/FRTZ208)

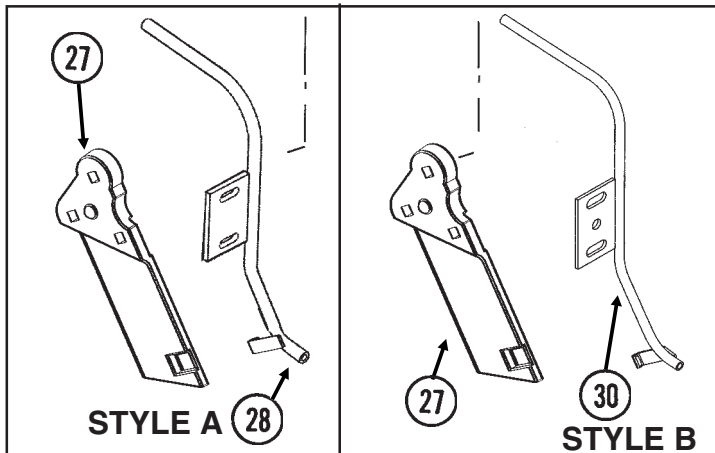
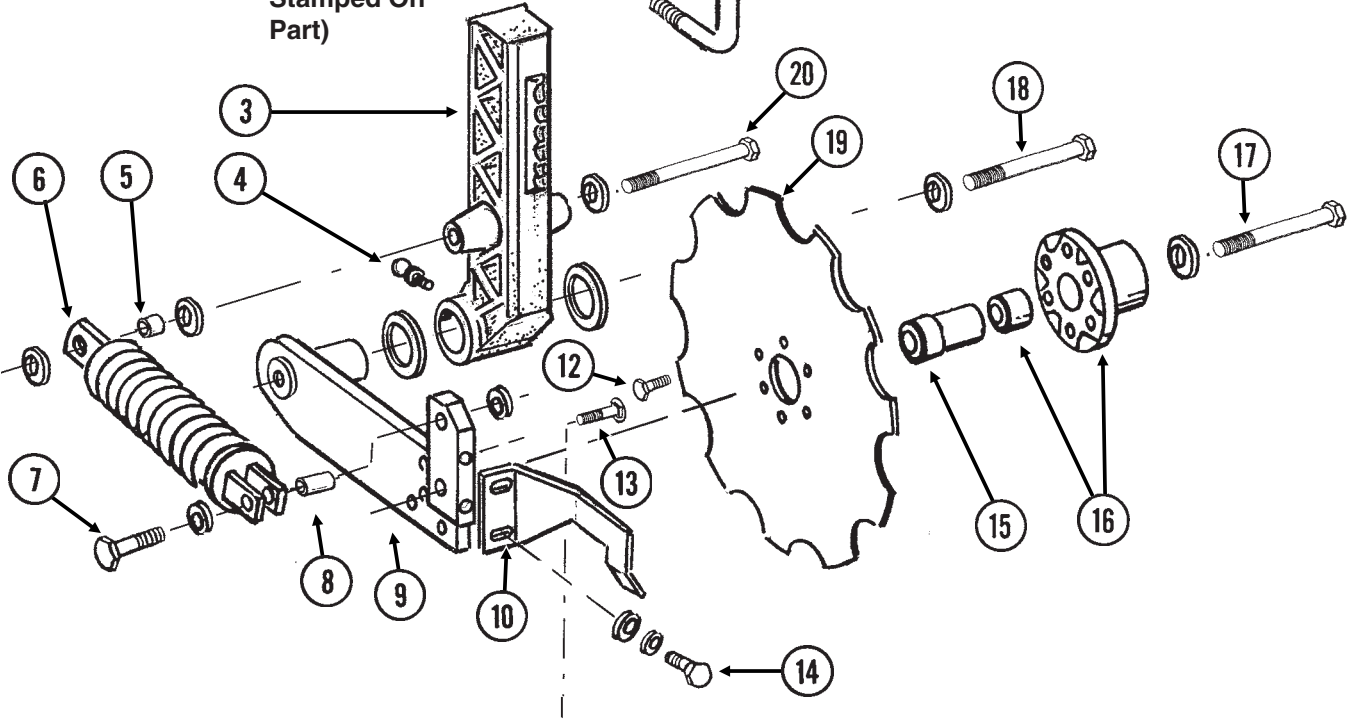
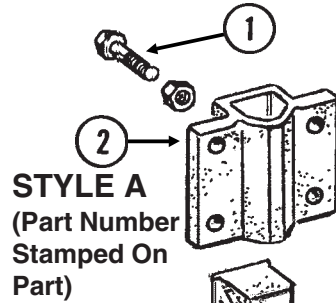
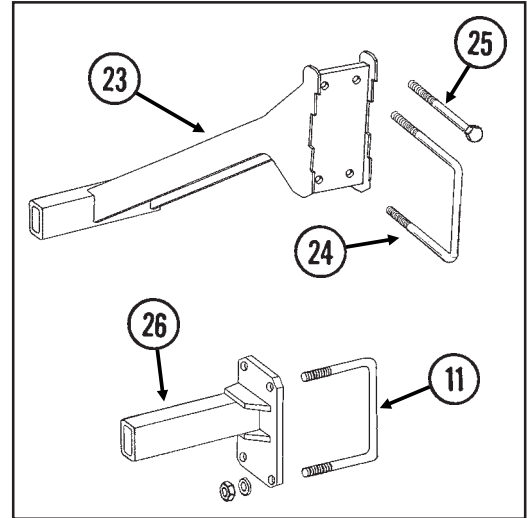
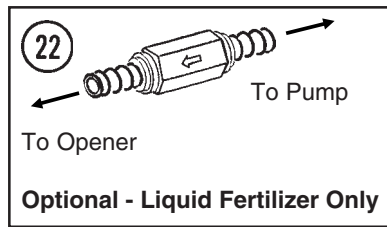
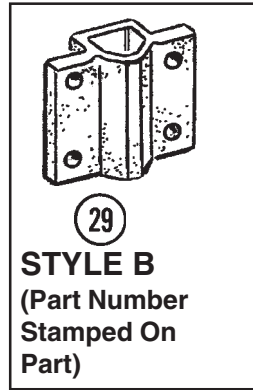


DOUBLE DISC FERTILIZER OPENER

ITEM	PART NO.	QTY.	DESCRIPTION
		(Per Assy.)	
1.	GD1657	1	Lockup Pin
2.	G10451	2	Cotter Pin, 1/8" x 1"
3.	G10938	1	Grease Fitting, 1/4"-28, Taper Threads
4.	GA8483	1	Bracket
5.	GD1138	2	U-Bolt, 2 1/2" x 2 1/2" x 1/2"-13
	G10228	4	Lock Washer, 1/2"
	G10102	4	Hex Nut, 1/2"-13
6.	G10046	1	Hex Head Cap Screw, 5/8"-11 x 5"
	G10107	1	Lock Nut, 5/8"-11
7.	G10045	1	Hex Head Cap Screw, 1/2"-13 x 4 1/2"
	G10111	1	Lock Nut, 1/2"-13
8.	G10305	2	Carriage Bolt, 3/8"-16 x 1"
	G10210	2	Washer, 3/8" USS
	G10229	2	Lock Washer, 3/8"
	G10101	2	Hex Nut, 3/8"-16
9.	GD0962	1	Hex Head Adjusting Bolt, 5/8"-18 x 3 1/4"
	G10499	1	Hex Jam Nut, 5/8"-18, Grade 2
10.	GD0487	1	Bushing, 41/64" I.D. x 3 1/2" Long
11.	GA0328	1	Spring
12.	GA0810	1	Scraper Mount
13.	GD1673	2	Scraper
14.	GA9195	1	Shank
15.	G10542	12	Rivet, 1/4" x 1 5/16"
16.	G10213	-	Machine Bushing, 5/8" (.030" Thick)
17.	GD1132	2	Dust Cap
18.	G10503	1	Hex Jam Nut, 5/8"-11, Grade 2
	G10504	1	Hex Jam Nut, 5/8"-11, L.H. Threads, Grade 2
19.	G10204	2	Special Machine Bushing, 5/8" x 1" O.D.
20.	GB0134	2	Hub
21.	GA2014	2	Bearing
22.	GD11306	2	Disc Blade, 3.5 mm x 15"
23.	GD2589	1	Inner Scraper
24.	G10019	1	Hex Head Cap Screw, 5/16"-18 x 1"
	G10232	1	Lock Washer, 5/16"
25.	GA0312	1	Mount
26.	G10133	1	Hex Head Cap Screw, 5/16"-18 x 1 1/2"
	G10221	1	Washer, 5/16" SAE
	G10109	1	Lock Nut, 5/16"-18, Grade 8
27.	GA8685	-	Drop Tube, Liquid Fertilizer
28.	G10681	-	Hose Clamp, No. 6
29.	GD11705	-	Extension
30.	GA8983	-	Check Valve, Low Rate
31.	GA8081	1	Opener Mount, L.H. (Shown)
	GA8080	-	Opener Mount, R.H.
32.	GD1114	2	U-Bolt, 7" x 7" x 5/8"-11
	G10230	4	Lock Washer, 5/8"
	G10104	4	Hex Nut, 5/8"-11
33.	G10152	-	Hex Head Cap Screw, 5/8"-11 x 9"
	G10230	-	Lock Washer, 5/8"
	G10104	-	Hex Nut, 5/8"-11
34.	GA8099	1	Opener Mount, L.H. (Shown)
	GA8098	-	Opener Mount, R.H.
35.	GD11132	2	U-Bolt, 4" x 7" x 1/2"-13
	G10228	4	Lock Washer, 1/2"
	G10102	4	Hex Nut, 1/2"-13
A.	GA8845	-	Disc Blade And Bearing Assembly (Items 15 And 20-22)

NOTCHED SINGLE DISC FERTILIZER OPENER

(FRTZ208/EF71/FRTZ209zz)

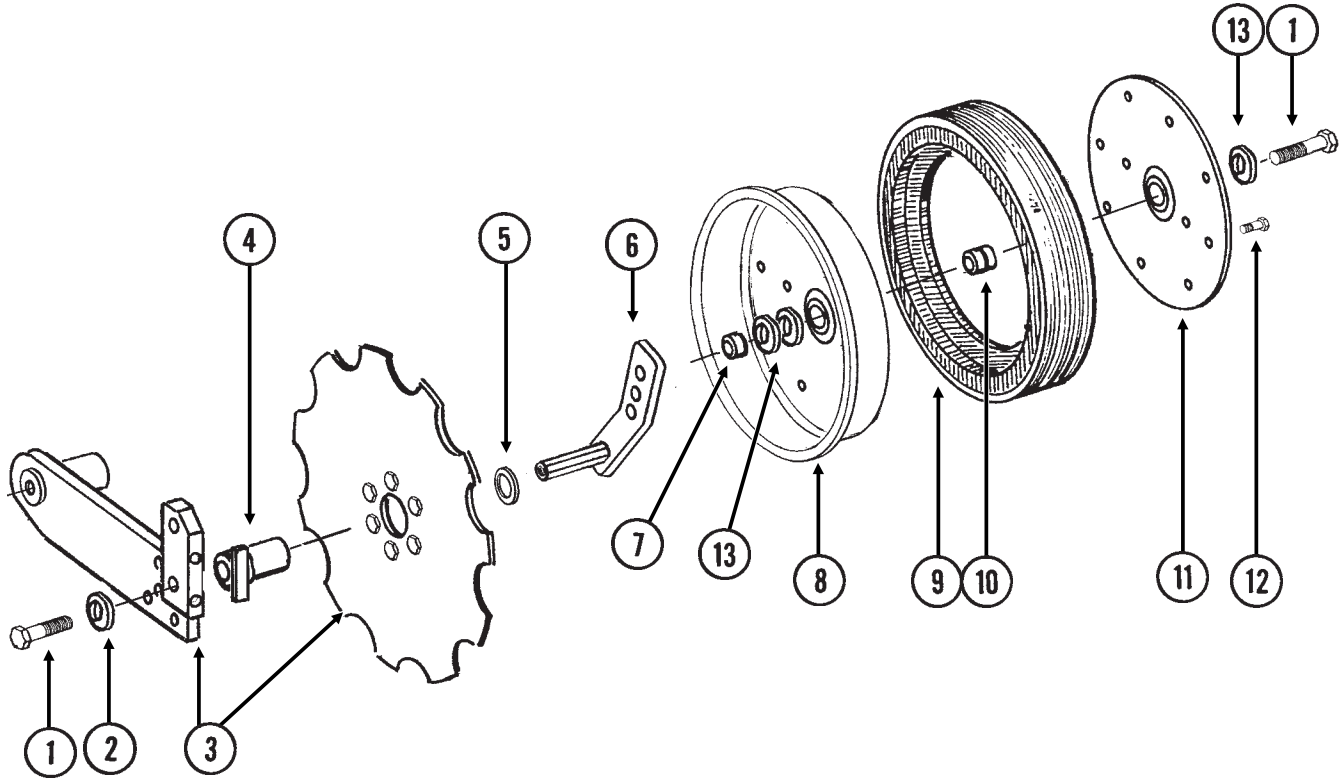


NOTCHED SINGLE DISC FERTILIZER OPENER

ITEM	PART NO.	QTY.	DESCRIPTION
(Per Assy.)			
1.	G10017	3	Hex Head Cap Screw, 1/2"-13 x 1 1/2"
	G10102	3	Hex Nut, 1/2"-13
2.	GB0297	1	Mount
3.	GB0296	1	Arm, 13 1/2"
4.	G10640	1	Grease Fitting, 1/4"-28
5.	GD12685	1	Bushing, 3/4" O.D. x 1/2" Long
6.	GA6966	1	Compression Spring Assembly
7.	G10047	1	Hex Head Cap Screw, 3/8"-16 x 1 3/4"
	G10210	2	Washer, 3/8" USS
	G10108	1	Lock Nut, 3/8"-16
8.	GD1026	1	Sleeve, 1 3/16" Long
9.	GA9433	1	Pivot Arm, L.H. (Shown)
	GA9434	-	Pivot Arm, R.H.
10.	GD11557	1	Scraper, L.H. (Shown)
	GD11558	-	Scraper, R.H.
11.	GD11132	-	U-Bolt, 4" x 7" x 1/2"-13
	G10228	-	Lock Washer, 1/2"
	G10102	-	Hex Nut, 1/2"-13
12.	G10002	6	Hex Head Cap Screw, 3/8"-16 x 3/4"
13.	G10306	3	Carriage Bolt, 3/8"-16 x 2"
	G10108	3	Lock Nut, 3/8"-16
14.	G10991	2	Hex Head Cap Screw, 5/16"-18 x 7/8"
	G10232	2	Lock Washer, 5/16"
	G10219	6	Washer, 5/16" USS
15.	GD12679	1	Stepped Spacer, 3" Long
16.	GA9437	1	Hub W/Bearing
	GA8603	-	Double Row Bearing
17.	G10011	1	Hex Head Cap Screw, 5/8"-11 x 5 1/2"
	GD12677	1	Washer, 1 1/2" O.D., 7 Gauge, Hardened
	G10107	1	Lock Nut, 5/8"-11
18.	G10046	1	Hex Head Cap Screw, 5/8"-11 x 5"
	G10217	1	Washer, 5/8" USS
	G10450	2	Machine Bushing, 1 1/2", 18 Gauge (As Required)
	G10107	1	Lock Nut, 5/8"-11
19.	GD12676	1	Disc Blade, Notched, 16 3/4"
20.	G10871	1	Hex Head Cap Screw, 1/2"-13 x 6"
	G10206	3	Washer, 1/2" SAE
	G10111	1	Lock Nut, 1/2"-13
21.	GD13287	2	U-Bolt, 1 1/2" x 2 1/2" x 1/2"-13
	G10228	4	Lock Washer, 1/2"
	G10102	4	Hex Nut, 1/2"-13
22.	GA8983	-	Check Valve, Low Rate
23.	GA9457	-	Opener Mount, L.H. (Shown)
	GA9456	-	Opener Mount, R.H.
24.	GD1114	-	U-Bolt, 7" x 7" x 5/8"-11
	G10230	-	Lock Washer, 5/8"
	G10104	-	Hex Nut, 5/8"-11
25.	G10152	-	Hex Head Cap Screw, 5/8"-11 x 9"
	G10230	-	Lock Washer, 5/8"
	G10104	-	Hex Nut, 5/8"-11
26.	GA9454	-	Opener Mount, R.H. (Shown)
	GA9455	-	Opener Mount, L.H.
27.	GB0323	1	Knife, L.H. (Shown)
	GB0322	-	Knife, R.H.
28.	GA11397	-	Drop Tube, L.H., Liquid Fertilizer (Shown)
	GA11398	1	Drop Tube, R.H., Liquid Fertilizer
29.	GB0405	1	Mount, L.H. (Shown)
	GB0400	-	Mount, R.H.
30.	GA12108	1	Drop Tube, Liquid Fertilizer (Shown)
	GA12109	-	Drop Tube, Liquid Fertilizer

DEPTH/GAUGE WHEEL ATTACHMENT FOR NOTCHED SINGLE DISC FERTILIZER OPENER

(FRTZ256)

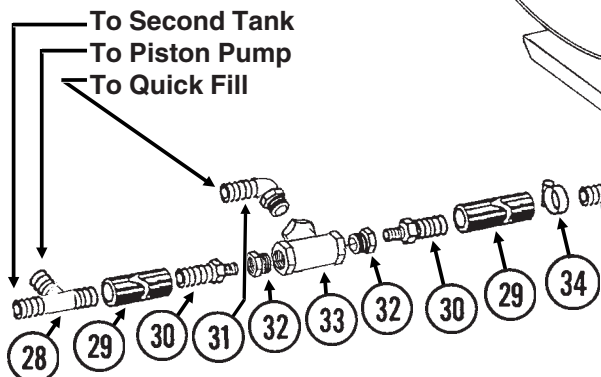
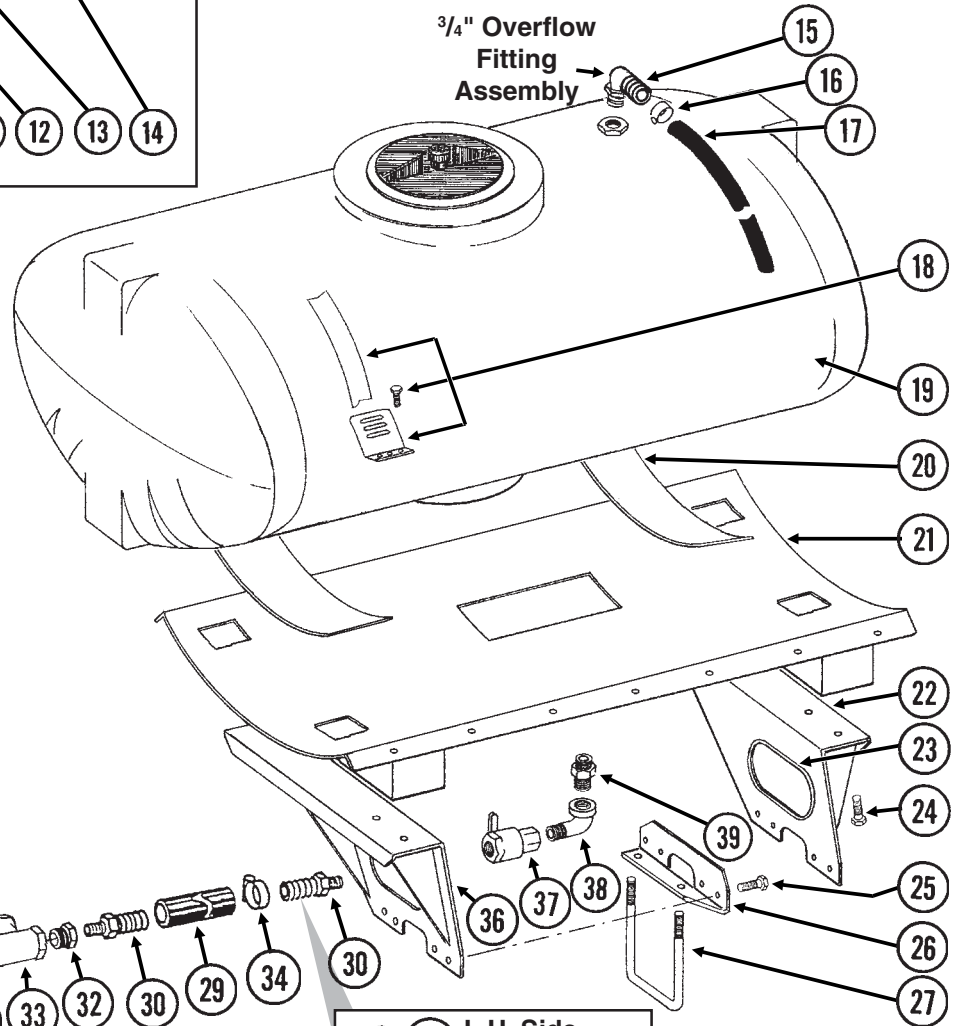
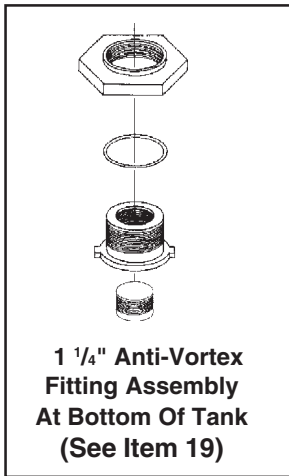
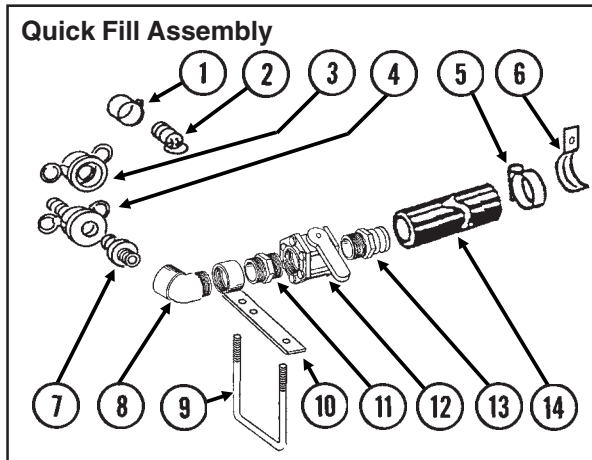


DEPTH/GAUGE WHEEL ATTACHMENT FOR NOTCHED SINGLE DISC FERTILIZER OPENER

ITEM	PART NO.	QTY. (Per Assy.)	DESCRIPTION
1.	G10010	2	Hex Head Cap Screw, 5/8"-11 x 3"
2.	GD7805	1	Special Washer, 5/8", Hardened
3.		-	See "Notched Single Disc Fertilizer Opener", Pages P82 And P83
4.	GA9472	1	Blade Mount
5.	G10233	1	Machine Bushing, 1", 10 Gauge
6.	GA10037	1	Wheel Mount, L.H. (Shown)
	GA10036	1	Wheel Mount, R.H.
7.	GD13309	1	Spacer
8.	GD11423	1	Half Wheel
9.	GD11953	1	Offset Tire
10.	GA6171	1	Bearing
11.	GD11954	1	Half Wheel Cover, Nylon
12.	G10961	11	Flanged Whiz Lock Screw, 5/16"-18 x 3/4", No Serration
	G10620	11	Serrated Flange Nut, 5/16"-18
13.	G10204	-	Special Machine Bushing, 5/8" x 1" O.D. (As Required)
A.	GA8877	-	Gauge Wheel Complete (Items 8-12)

LIQUID FERTILIZER TANKS, SADDLES, SADDLE MOUNTS AND HOSES

(FRTZ170j/FRTZ170L/PT51)



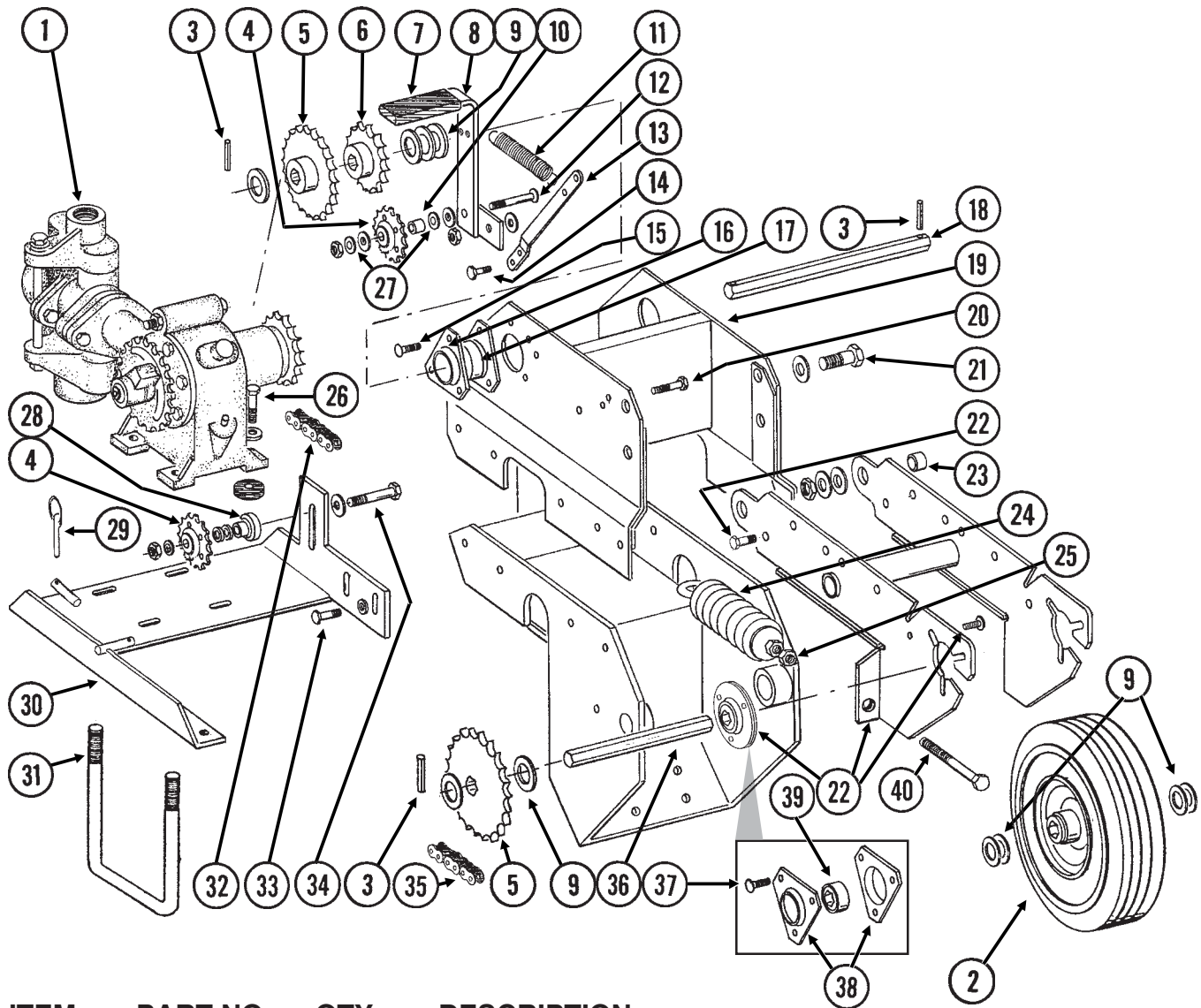
ITEM	PART NO.	QTY.	DESCRIPTION
1.	G10672	1	Hose Clamp, No. 28
2.	GD10777	1	Dust Plug, 2" Male Cam Lock
3.	GD3622	1	Adapter, 2" Female NPT To Cam Lock
4.	GD3951	1	Dust Cap, 2" Cam Lock
5.	G10676	2	Hose Clamp, No. 36
6.	GD11235	1	Hose Clamp, 2" (If Applicable)
7.	GD3623	1	Adapter, 2" Male NPT To Cam Lock
8.	G10889	1	Elbow, 45°, 2" Male NPT To Female
9.	GD1114	1	U-Bolt, 7" x 7" x 5/8"-11
	G10230	2	Lock Washer, 5/8"
	G10104	2	Hex Nut, 5/8"-11

LIQUID FERTILIZER TANKS, SADDLES, SADDLE MOUNTS AND HOSES

ITEM	PART NO.	QTY.	DESCRIPTION
10.	GA8082	1	Quick Fill Mount, 2" NPT
11.	G10623	1	Close Nipple, 2" NPT
12.	GA2660	1	Shutoff Valve, 2" NPT
13.	G10628	1	Adapter, 2" NPT To Barb
14.	G4201-04	1	Hose, 2" x 15'
15.	G10917	2	Elbow, 90°, 3/4" NPT To Barb
16.	G10278	2	Hose Clamp, No. 16
17.	G4205-11	-	Hose, 3/4" x 72" (One Per Tank)
18.	GA8114	2	Tank Mounting Hardware Package, Includes: (2) Straps, (4) Anchors, (8) G10485, (8) G10901
	G10485	-	Hex Head Tap Bolt, 3/8"-16 x 5"
	G10901	-	Lock Nut, 3/8"-16
19.	GA9910	2	Tank W/Lid And Fittings, 200 Gallon
	GR1678	1	Lid W/Vent, 8" (Top Of Tank)
	GR0513	-	3/4" Polypropylene Fitting Assembly (Overflow Fitting, Nut, Bushing And O-Ring) (Top Of Tank)
	GR1397	-	Overflow Fitting
	GR1435	-	1 1/4" Anti-Vortex Fitting Assembly (Nut, Bushing And O-Ring) (Bottom Of Tank)
	GR1396	-	Anti-Vortex Fitting
20.	GD1862	-	Pad, 8" x 14'
21.	GA8088	2	Tank Saddle
22.	GA8086	2	Saddle Mount, R.H.
23.	G4425-01	4	Molding, 3/16" x 26"
24.	G10017	16	Hex Head Cap Screw, 1/2"-13 x 1 1/2"
	G10216	32	Washer, 1/2" USS
	G10228	16	Lock Washer, 1/2"
	G10102	16	Hex Nut, 1/2"-13
25.	G10004	16	Hex Head Cap Screw, 3/8"-16 x 1 1/4"
	G10229	16	Lock Washer, 3/8"
	G10101	16	Hex Nut, 3/8"-16
26.	GA8156	1	Bracket, R.H., 8 Row Only
	GA8155	-	Bracket, L.H., 8 Row Only (Shown)
27.	GD1114	1	U-Bolt, 7" x 7" x 5/8"-11 (8 Row Only)
	G10230	2	Lock Washer, 5/8"
	G10104	2	Hex Nut, 5/8"-11
28.	G10633	1	Tee, 1 1/4" Barb
29.	G4200-09	1	Hose, 1 1/4" x 12'
30.	G10626	3-4	Adapter, 1 1/4" NPT To Barb
31.	G10630	1	Elbow, 90°, 2" NPT To Barb
32.	G10616	2	Reducing Bushing, 2" Male NPT To 1 1/4" Female
33.	G10888	1	Tee, 2" Female NPT
34.	G10674	10	Hose Clamp, No. 24
35.	G10629	1	Elbow, 90°, 1 1/4" NPT To Barb
36.	GA8087	2	Saddle Mount, L.H.
37.	GA4976	2	Shutoff Valve, 1 1/4" NPT
	GR1015	-	Body O-Ring
	GR1016	-	Stem O-Ring
	GR1017	-	Teflon Seal
	GR1018	-	Ball
	GR1019	-	Handle
38.	G10887	2	Elbow, 90°, 1 1/4" Male NPT To Female
39.	G10619	3	Close Nipple, 1 1/4" NPT

LIQUID FERTILIZER PISTON PUMP DRIVE

(FRTZ167kk/FRTZ167j)



ITEM	PART NO.	QTY.	DESCRIPTION
1.		-	See "Liquid Fertilizer Piston Pump", Pages P94-P99
2.	GA5090	1	Tire And Rim Assembly (Specify Brand*)
	GD5753	-	Tire, 4.10" x 6" (Specify Brand*)
	GD5752	-	Inner Tube
3.	G10602	4	Spring Pin, 1/4" x 1 1/2"
4.	GA7154	2	Sprocket W/Bearing, 18 Tooth
5.	GA5202	2	Sprocket, 34 Tooth
6.	GA5109	1	Sprocket, 24 Tooth
7.	GD5827	1	Cover
8.	GA8084	1	Arm
9.	G10233	9	Machine Bushing, 1", 10 Gauge
10.	GD11963-01	1	Spacer, 1 1/16"
11.	GD5857	1	Spring
12.	G10306	1	Carriage Bolt, 3/8"-16 x 2"
	G10203	2	Washer, 3/8" SAE
	G10108	1	Lock Nut, 3/8"-16
13.	GD5860	1	Bar
14.	G10023	2	Hex Head Cap Screw, 1/4"-20 x 3/4"
	G10227	2	Lock Washer, 1/4"
	G10103	2	Hex Nut, 1/4"-20

LIQUID FERTILIZER PISTON PUMP DRIVE

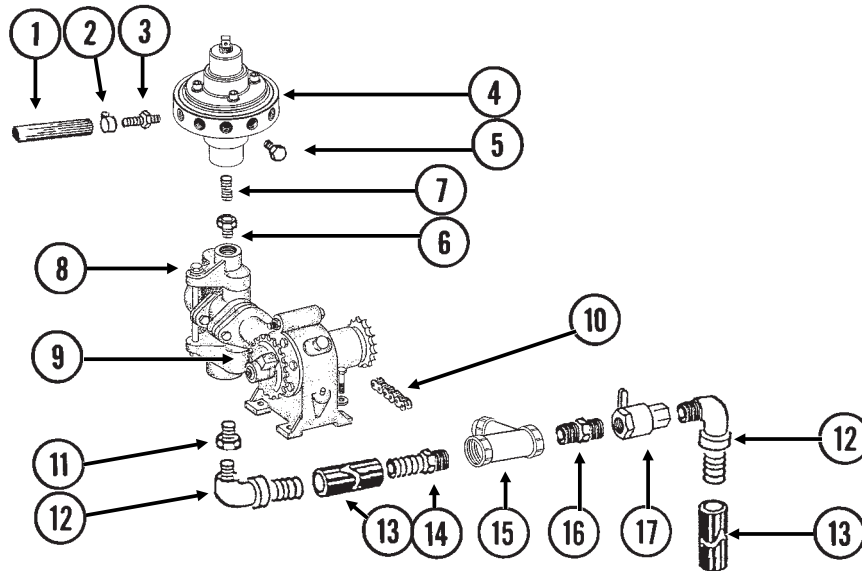
ITEM	PART NO.	QTY.	DESCRIPTION
15.	G10303	6	Carriage Bolt, 5/16"-18 x 1"
	G10232	6	Lock Washer, 5/16"
	G10106	6	Hex Nut, 5/16"-18
16.	G3400-01	4	Flangette
17.	G2100-03	2	Bearing, 7/8" Hex Bore, Spherical
18.	GD6825-12.25	1	Hex Shaft, 7/8" x 12 1/4" (2 Holes)
19.	GA5118	1	Mount
20.	G10001	1	Hex Head Cap Screw, 3/8"-16 x 1"
	G10370	1	Machine Bushing, 3/8", 22 Gauge
	G10229	1	Lock Washer, 3/8"
	GD5756	1	Special Nut, 3/8"-16
21.	G10751	2	Hex Head Cap Screw, 5/8"-18 x 1 3/4"
	G10235	6	Machine Bushing, 7/8", 14 Gauge
	GD7805	2	Special Washer, 5/8", Hardened
	G10412	2	Lock Nut, 5/8"-18
22.	A7370	1	Arm W/Flanged Bearings And Hardware (Non-Stock Item) (Sub G1K253)
	G10303	6	Carriage Bolt, 5/16"-18 x 1"
	G10232	6	Lock Washer, 5/16"
	G10106	6	Hex Nut, 5/16"-18
	GA9846	-	Flanged Bearing, 7/8" Hex Bore
	G10055	2	Hex Head Cap Screw, 5/8"-11 x 1 1/4" (Stop Bolt)
	G10107	2	Lock Nut, 5/8"-11
23.	GB0218	2	Bushing, 21/32" I.D. x 7/8" O.D. x 19/32" Long
24.	GA2068	1	Spring W/Plug
25.	G10501	2	Hex Jam Nut, 1/2"-13, Grade 2
26.	G10003	4	Hex Head Cap Screw, 3/8"-16 x 1 1/2"
	G10210	4	Washer, 3/8" USS
	GR1122	4	Mounting Pad
	G10229	4	Lock Washer, 3/8"
	G10101	4	Hex Nut, 3/8"-16
27.	G10207	2	Washer, 7/8" O.D. x 13/32" I.D. x .134"
28.	GB0258	1	Stepped Spacer, 7/8"
29.	GD2558	1	Lynch Pin, 1/4"
30.	GA8168	1	Pump Mount
31.	GD7145	1	U-Bolt, 7" x 7" x 1/2"-13
	G10228	2	Lock Washer, 1/2"
	G10102	2	Hex Nut, 1/2"-13
32.	G3310-66	1	Chain, No. 40, 66 Pitch Including Connector Link
	GR0912	-	Connector Link, No. 40
33.	G10003	8	Hex Head Cap Screw, 3/8"-16 x 1 1/2"
	G10210	2	Washer, 3/8" USS
	G10229	8	Lock Washer, 3/8"
	G10101	8	Hex Nut, 3/8"-16
34.	G10053	1	Hex Head Cap Screw, 1/2"-13 x 2 1/2"
	G10216	2	Washer, 1/2" USS
	G10228	1	Lock Washer, 1/2"
	G10102	1	Hex Nut, 1/2"-13
35.	G3310-139	1	Chain, No. 40, 139 Pitch Including Connector Link And Offset Link
	GR0912	-	Connector Link, No. 40
	GR0911	-	Offset Link, No. 40
36.	GD6825-10.375	1	Hex Shaft, 7/8" x 10 3/8" (2 Holes)
37.	G10303	6	Carriage Bolt, 5/16"-18 x 1"
	G10219	6	Washer, 5/16" USS
	G10232	6	Lock Washer, 5/16"
	G10106	6	Hex Nut, 5/16"-18
38.	G3400-01	4	Flangette
39.	G2100-03	2	Bearing, 7/8" Hex Bore, Spherical
40.	G10890	2	Hex Head Adjusting Bolt, 1/2"-13 x 4", Grade 2
A.	G1K253	-	Contact Wheel Arm Replacement Kit (Items 3, 22, 25, 36 And 40)

* Specific brand requests will be supplied only as available from current KINZE® Repair Parts stock. If a specific brand requested is not in stock, the brand available will be supplied. Different brand tires may have different diameters. Change in tire brands may affect rates. Field checks are recommended after any change in contact tires.

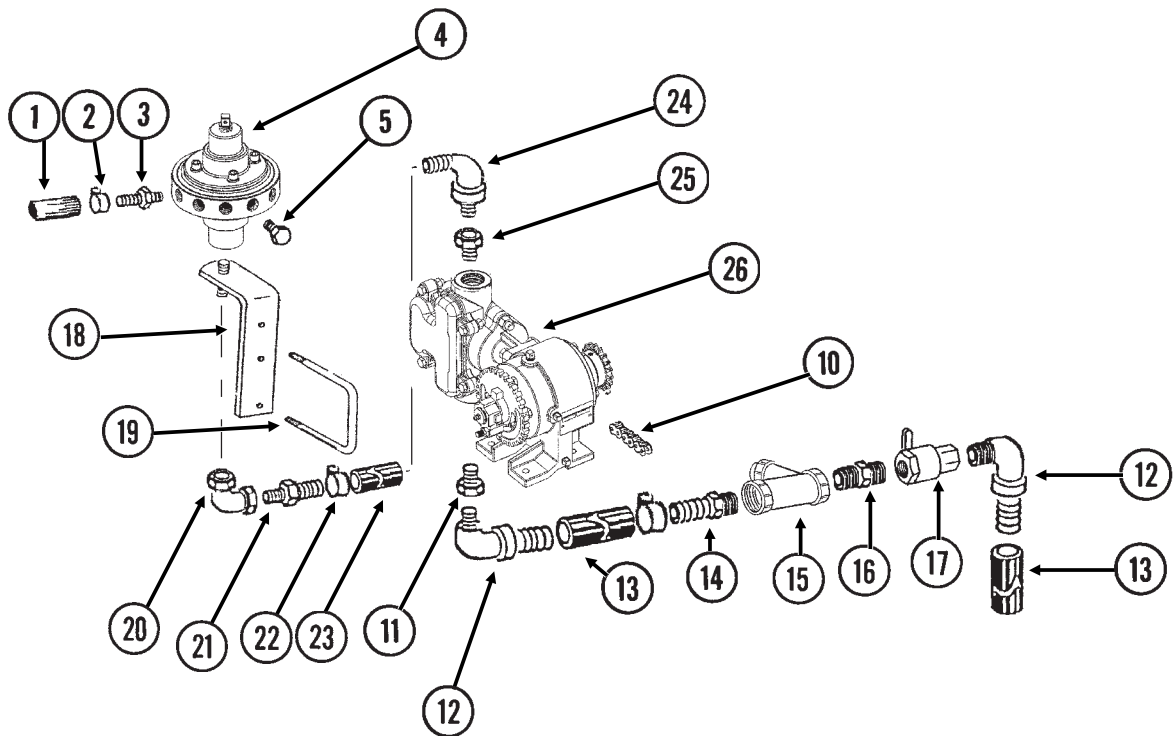
LIQUID FERTILIZER FLOW DIVIDER MOUNT AND HOSES

(FRTZ176k/FRTZ295)

STYLE A



STYLE B



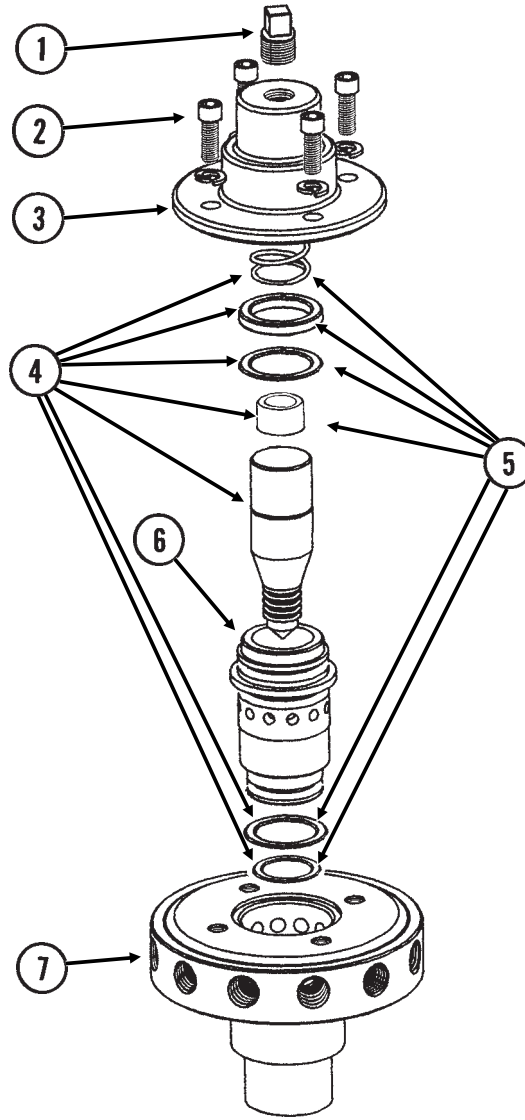
LIQUID FERTILIZER FLOW DIVIDER MOUNT AND HOSES

ITEM	PART NO.	QTY.	DESCRIPTION
1.	G4301-06	1	Hose, 3/8" x 160'
2.	G10681	24	Hose Clamp, No. 6
3.	GD11700	12	Adapter, 1/4" NPT To 3/8" Barb
4.		-	See "Liquid Fertilizer Piston Pump Flow Divider", Pages P92 And P93
5.	G10292	-	Pipe Plug, 1/4" NPT
6.	G10995	1	Reducing Bushing, 1" Male NPT To 3/4" Female, Stainless Steel
7.	G10994	1	Close Nipple, 3/4" NPT, Stainless Steel
8.		-	See "Liquid Fertilizer Piston Pump (Cylinder Assembly)", Pages P96 And P97
9.		-	See "Liquid Fertilizer Piston Pump (Crankcase Assembly)", Pages P94 And P95
10.		-	See "Liquid Fertilizer Piston Pump Drive", Pages P88 And P89
11.	G10615	1	Reducing Bushing, 1 1/2" Male NPT To 1 1/4" Female
12.	G10629	2	Elbow, 90°, 1 1/4" NPT To Barb,
13.		-	Hose, 1 1/4", See "Liquid Fertilizer Tanks, Saddles, Saddle Mounts And Hoses", Pages P86 And P87
14.	G10626	1	Adapter, 1 1/4" NPT To Barb
15.	GA3893	1	Strainer Complete
	GR0880	-	Screen, No. 40 Mesh
	GR0881	-	Gasket
	GR0882	-	Y-Body
	GR0883	-	End Cap
16.	G10619	1	Close Nipple, 1 1/4" NPT
17.	GA4976	2	Shutoff Valve, 1 1/4" NPT
	GR1015	-	Body O-Ring
	GR1016	-	Stem O-Ring
	GR1017	-	Teflon Seal
	GR1018	-	Ball
	GR1019	-	Handle
18.	GA6527	1	Mount, 3/4" NPT
19.	GD1114	1	U-Bolt, 7" x 7" x 5/8"-11
	G10230	2	Lock Washer, 5/8"
	G10104	2	Hex Nut, 5/8"-11
20.	G10733	1	Elbow, 90°, 3/4" Female NPT
21.	G10734	1	Adapter, 3/4" NPT To Barb
22.	G10278	2	Hose Clamp, No. 16
23.	G4205-04	-	Hose, 3/4" x 36"
24.	G10917	1	Elbow, 90°, 3/4" NPT To Barb
25.	G11237	1	Reducing Bushing, 1 1/2" Male NPT To 3/4" Female
26.		-	See "Liquid Fertilizer Piston Pump", Pages P98 And P99

LIQUID FERTILIZER PISTON PUMP FLOW DIVIDER

(FRTZ202c)

Model FD-1200 Flow Divider, 12 Outlet



3/4" NPT

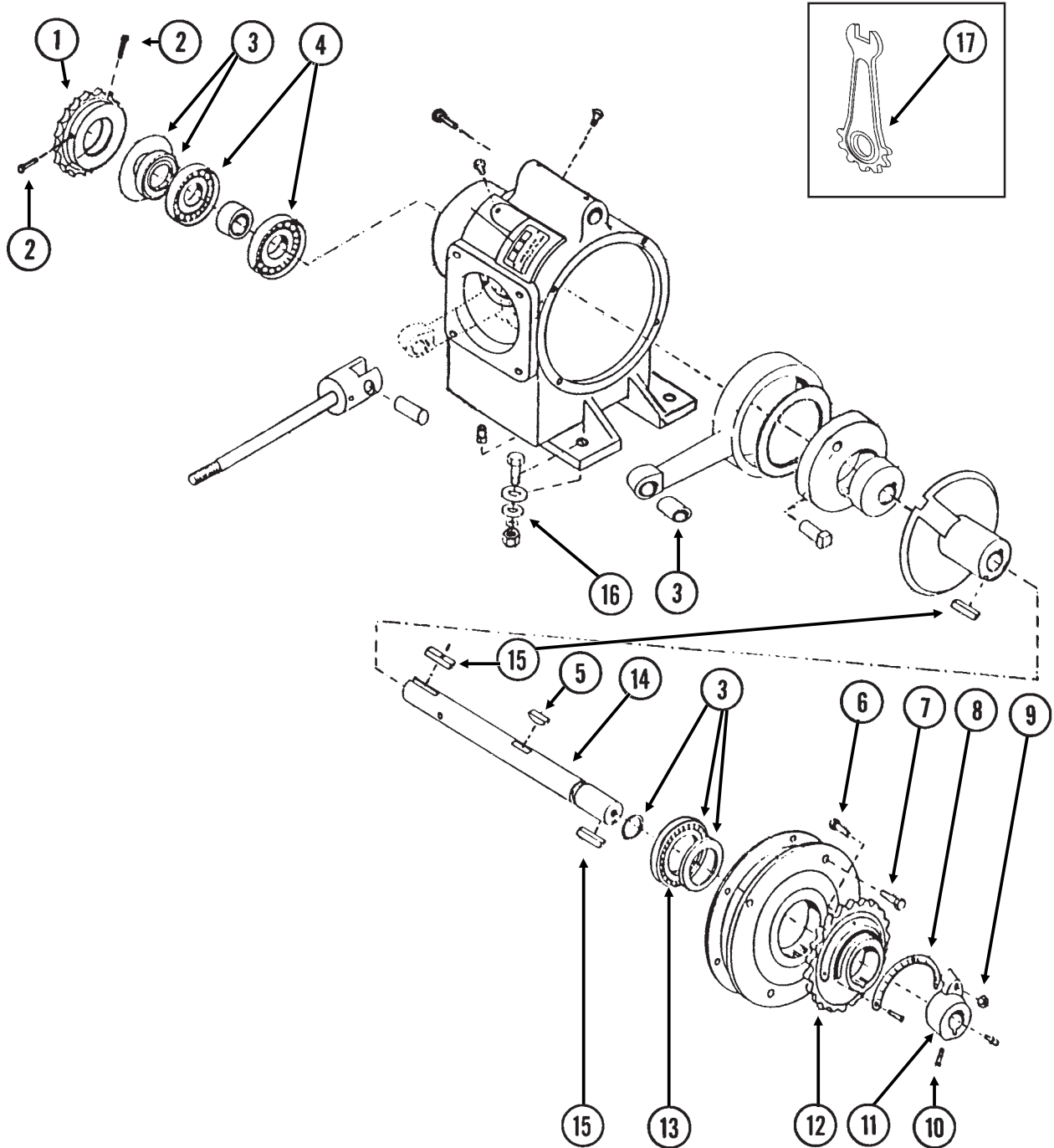
LIQUID FERTILIZER PISTON PUMP FLOW DIVIDER

ITEM	PART NO.	QTY.	DESCRIPTION
1.	GR1543	1	Plug
2.	GR1542	4	Hex Socket Head Screw, 1/4"-20 x 3/4"
	GR1541	4	Lock Washer, 1/4", Stainless Steel
3.	GR1540	1	Cap
4.	GR1544	1	Needle Assembly W/Seal Kit (Item 22)
5.	GR1545	1	Seal Kit, Includes: (3) O-Rings, (1) Seal, (1) Spring, (1) Stainless Steel Sleeve
6.	GR1535	1	Sleeve
7.	GR1533	1	Body (12 Outlets)
A.	GA8931	1	Liquid Fertilizer Piston Pump Flow Divider Complete, 12 Outlet (Model FD-1200)

LIQUID FERTILIZER PISTON PUMP (Crankcase Assembly) Uses 18 Tooth Sprocket

JB-L4400-991/CCU077(FRTZ172a/GR1424a)

Model LM-2455-R



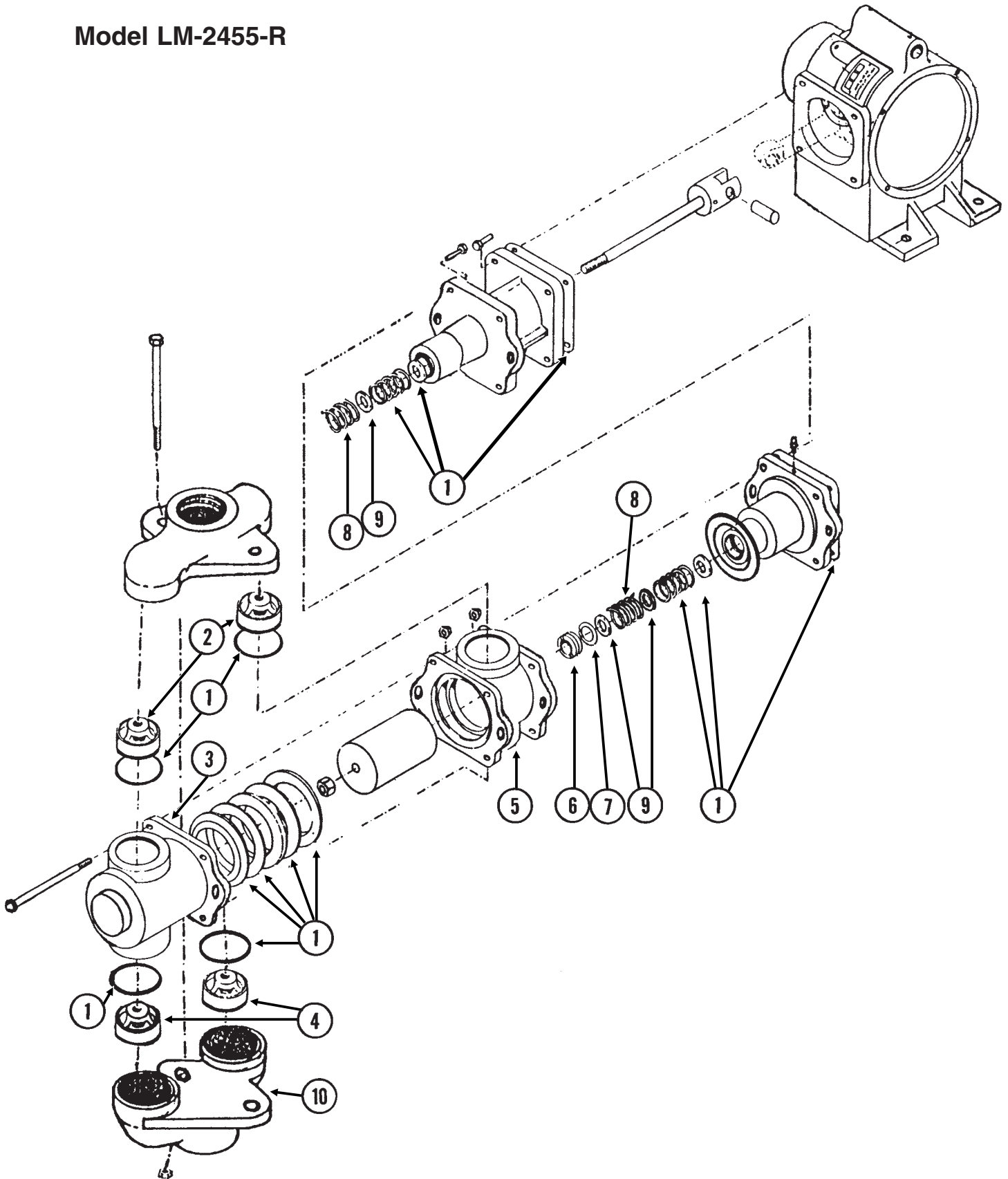
LIQUID FERTILIZER PISTON PUMP (Crankcase Assembly) Uses 18 Tooth Sprocket

ITEM	PART NO.	QTY.	DESCRIPTION
1.	GR1389	1	Sprocket, 18 Tooth
2.	G10688	2	Square Head Set Screw, $\frac{3}{8}$ "-16 x $\frac{5}{8}$ "
3.	GR1425	1	Repair Kit, Includes Item 1 On Pages P96 And P97
4.	GR1427	2	Bearing
5.	GR1420	1	Woodruff Key, $\frac{3}{8}$ "-16 x 1 $\frac{3}{4}$ "
6.	GR1167	1	Square Head Bolt, $\frac{3}{8}$ "-16 x 1 $\frac{3}{4}$ "
7.	G10043	4	Hex Head Cap Screw, $\frac{5}{16}$ "-18 x $\frac{3}{4}$ "
8.	GR1168	1	Scale
9.	G10108	1	Lock Nut, $\frac{3}{8}$ "-16
10.	G10693	3	Hex Socket Head Set Screw, $\frac{5}{16}$ "-18 x $\frac{3}{8}$ "
11.	GR1165	1	Arm
12.	GR1114	1	Flange
13.	GR1116	1	Bearing
14.	GR1421	1	Crankshaft
15.	GR1118	2	Setting Arm Key
16.		-	See "Liquid Fertilizer Piston Pump Drive", Pages P88 And P89
17.	GR1424	1	Adjustment Wrench
A.	GA8069	-	Piston Pump Complete W/18 Tooth Sprocket (Model LM-2455-R), Includes Crankcase Assembly On This Page And Cylinder Assembly On Pages P96 And P97

LIQUID FERTILIZER PISTON PUMP (Cylinder Assembly) Uses 18 Tooth Sprocket

JB-L2190-991(FRTZ171)

Model LM-2455-R



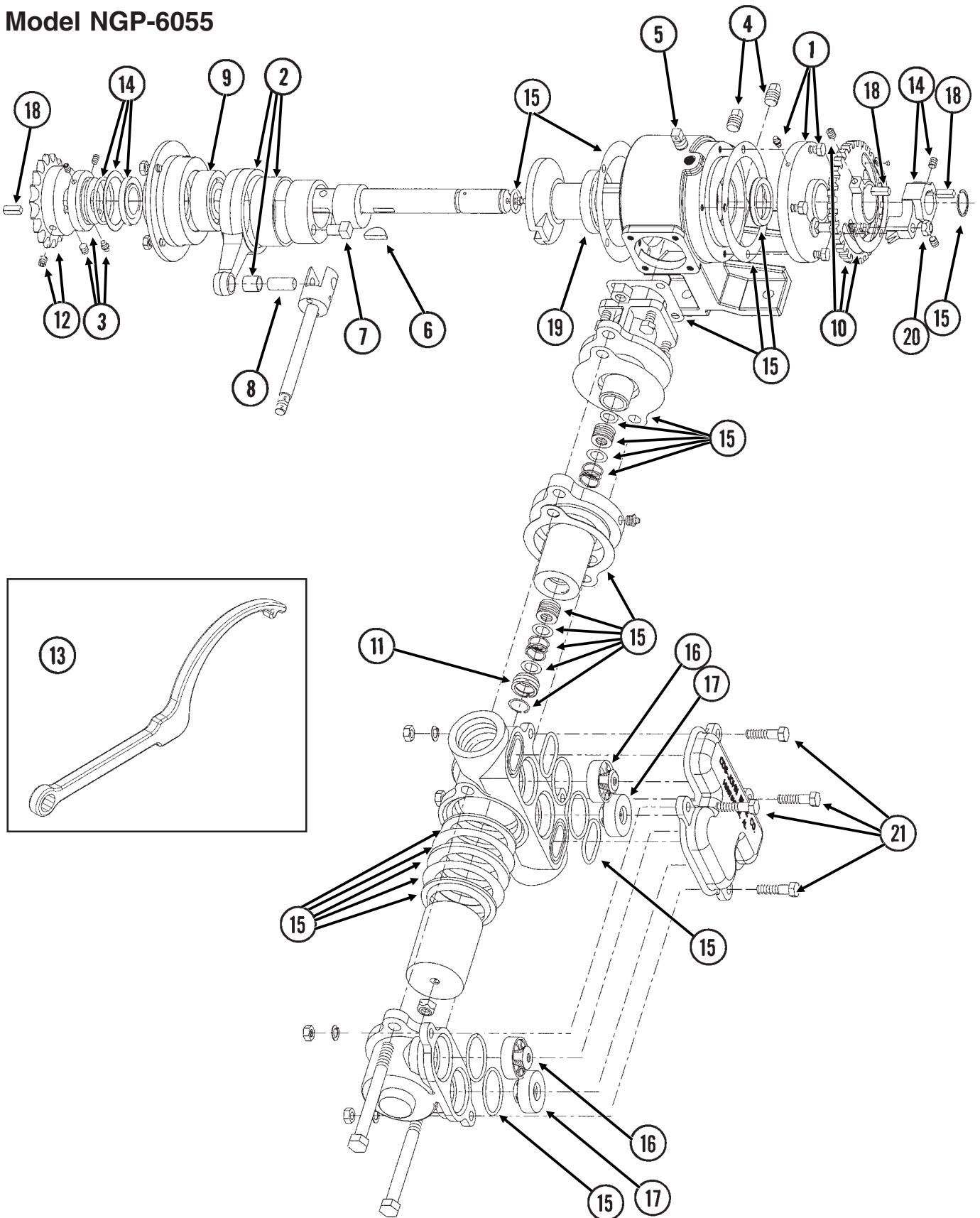
LIQUID FERTILIZER PISTON PUMP (Cylinder Assembly) Uses 18 Tooth Sprocket

ITEM	PART NO.	QTY.	DESCRIPTION
1.	GR1425	1	Repair Kit, Includes Item 3 On Pages P94 And P95
2.	GR1144	2	Discharge Valve
3.	GR1423	1	Outboard Cylinder
4.	GR1142	2	Suction Valve
5.	GR1422	1	Inboard Cylinder
6.	GR1134	1	Stuffing Box Insert
7.	GR1133	1	Retaining Ring
8.	GR1130	2	Packing Spring
9.	GR1129	3	Washer
10.	GR1451	1	Suction Manifold

LIQUID FERTILIZER PISTON PUMP Uses 18 Tooth Sprocket

(A12335a/GR1808)

Model NGP-6055

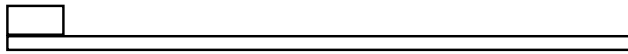


LIQUID FERTILIZER PISTON PUMP

Uses 18 Tooth Sprocket

ITEM	PART NO.	QTY.	DESCRIPTION
1.	GR1804	1	Flange Cover Assembly
	G10991	4	Hex Head Cap Screw, $\frac{5}{16}$ "-18 x $\frac{7}{8}$ "
2.	GR1802	1	Connecting Rod Assembly
3.	GR1801	1	Spacer Assembly
	G10693	3	Hex Socket Set Screw, $\frac{5}{16}$ "-18 x $\frac{3}{8}$ "
4.	GR1123	2	Plug
5.	GR1543	1	Vent Plug
6.	GR1112	1	Woodruff Key
7.	GR1120	1	Eccentric Pin
8.	GR1124	1	Pin
9.	GR1104	1	Bearing
10.	GR1805	1	Setting Hub Assembly
11.	GR1134	1	Stuffing Box Insert
12.	GR1389	1	Sprocket, 18 Tooth
13.	GR1808	1	Adjustment Wrench
14.	GR1806	1	Setting Pointer Assembly
15.	GR1795	1	Repair Kit, Includes: (6) Gaskets, (9) O-Rings, (4) Washers, (1) Retaining Ring, (2) Oil Seals, (1) Snap Ring, (1) Thrust Washer, (1) Rod Bushing, (2) Flange Plunger Packings, (2) Packing Springs, (2) Rod Vee Packing Sets
16.	GR1799	2	Discharge Valve Assembly
17.	GR1797	2	Suction Valve Assembly
18.	GR1118	3	Setting Arm Key
19.	GR1116	1	Bearing
20.	G10306	1	Carriage Bolt, $\frac{3}{8}$ "-16 x 2"
	G10108	1	Lock Nut, $\frac{3}{8}$ "-16
21.	G10003	4	Hex Head Head Cap Screw, $\frac{3}{8}$ "-16 x 1 $\frac{1}{2}$ "
	G10210	4	Washer, $\frac{3}{8}$ " USS
	G10229	4	Lock Washer, $\frac{3}{8}$ "
	G10101	4	Hex Nut, $\frac{3}{8}$ "-16
A.	GA12330	-	Piston Pump Complete W/18 Tooth Sprocket (Model NGP-6055)

DECALS, PAINT AND MISCELLANEOUS



1

ROTATE KNURLED COLLAR ON WRAP SPRING TIGHTENER TO RELEASE SPRING TENSION

7100-295

2

WARNING

TO AVOID INJURY -- STAND CLEAR--KEEP OTHERS AWAY WHEN RAISING OR LOWERING MARKERS. BEFORE TRANSPORTING PLANTER FULLY EXTEND HYDRAULIC CYLINDERS AND INSTALL LOCKING PINS WHERE PROVIDED.

7100-42

3

WARNING

1. Read and understand the Operator's Manual.
2. Stop the tractor engine before leaving the operator's platform.
3. Keep riders off the machine.
4. Make certain everyone is clear of the machine before starting the tractor engine and operating.
5. Keep all shields in place.
6. Never lubricate, adjust, unplug or service the machine with tractor engine running.
7. Wait for all movement to stop before servicing.
8. Keep hands, feet and clothing away from moving parts.
9. Use flashing warning lights when operating on highways except when prohibited by law.

7100-46

4

WARNING

TO AVOID INJURY ... ALWAYS USE THE HYDRAULIC CYLINDER SAFETY LOCKUP CHANNEL WHEN SERVICING MACHINE IN RAISED POSITION OR WHEN TRANSPORTING MACHINE ON THE ROAD. AFTER USE RETURN TO STORAGE LOCATION.

7100-47

5

KINZE

6

WARNING

USE SAFETY CHAINS PROVIDED. TOW ONLY WITH FARM TRACTOR.

7100-382

7

WARNING

RAISE PLANTER COMPLETELY AND INSTALL CYLINDER LOCKUPS BEFORE FOLDING. FOLD ON LEVEL GROUND. SECURE WINGS WITH SAFETY LATCHES BEFORE TOWING IN FOLDED POSITION.

7100-66

8

WARNING

ALWAYS LATCH WINGS AND INSTALL TRANSPORT PINS IN LATCHES BEFORE TRANSPORTING. WINGS MAY SWING OUT IF NOT PROPERLY LATCHED.

7100-71

9

DANGER

THIS PLANTER IS DESIGNED TO BE DRIVEN BY GROUND TIRES ONLY. THE USE OF HYDRAULIC, ELECTRIC OR PTO DRIVES MAY CREATE SERIOUS SAFETY HAZARDS TO YOU AND THE PEOPLE NEARBY. IF YOU INSTALL SUCH DRIVES YOU MUST FOLLOW ALL APPROPRIATE SAFETY STANDARDS AND PRACTICES TO PROTECT YOU AND OTHERS NEAR THIS PLANTER FROM INJURY.

7100-89

10

WARNING

THIS MACHINE HAS BEEN DESIGNED AND BUILT WITH YOUR SAFETY IN MIND. DO NOT MAKE ANY ALTERATIONS OR CHANGES TO THIS MACHINE. ANY ALTERATION TO THE DESIGN OR CONSTRUCTION MAY CREATE SAFETY HAZARDS.

7100-90

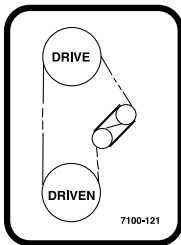
11

WARNING

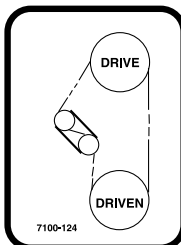
AGRICULTURAL CHEMICALS CAN BE DANGEROUS. IMPROPER SELECTION OR USE CAN SERIOUSLY INJURE PERSONS, ANIMALS, PLANTS, SOIL OR OTHER PROPERTY. BE SAFE. SELECT THE RIGHT CHEMICAL FOR THE JOB. HANDLE WITH CARE. FOLLOW THE INSTRUCTIONS ON THE CONTAINER LABEL AND OF THE EQUIPMENT MANUFACTURER.

7100-115

12



13



14



15

USE 1 TABLESPOON POWDERED GRAPHITE WITH EACH HOPPER FILL OF SEED. SEED TREATMENT, FOREIGN MATERIAL, DIRT, OR SEED CHAFF MAY CAUSE GRADUAL REDUCTION OF SEED POPULATION. REFER TO MANUAL FOR MAINTENANCE AND CARE.

7100-153

16

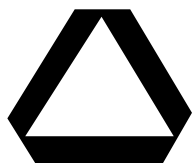
TORQUE 5/8" SPINDLE BOLTS TO 120 FT/LBS. CHECK PERIODICALLY AND RE-TORQUE AS NEEDED.

7100-234

17

3200

18



19

Econo • Fold

7100-178

20

ROTATION

→

7100-192

22

KINZE 3200

21

MARKER ←

FOLD →

7100-194

23

WARNING

SPRING UNDER PRESSURE DO NOT DISASSEMBLE

7100-24

24

DECALS, PAINT AND MISCELLANEOUS

TRANSMISSION RATE REDUCTION		
DRIVE	DRIVEN	% REDUCTION & ROTATION
15	30	50
17	30	43
23 ¹	30	23
24	30	20
25 ¹	30	17
26 ¹	30	13
27	30	10

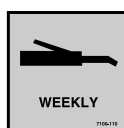
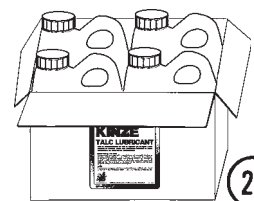
* Use sprockets off seed drive transmission 7100-211

NOTE

It is the responsibility of the user to read and understand the Operator's Manual in regards to safety, operation, lubrication and maintenance before operation of this equipment.

AN OPERATOR & PARTS MANUAL IS AVAILABLE FOR THIS MACHINE.

To obtain a manual, furnish model number and serial number and contact your KINZE Dealer or KINZE Manufacturing, Inc., P.O. Box 806 Williamsburg, IA 52361-0806 USA



WARNING

STAY CLEAR OF DISCHARGE WHILE FAN IS RUNNING

7100-301

EdgeVac®

7100-311

IMPORTANT

-FAN MOTOR CASE DRAIN- ALWAYS CONNECT THE FAN MOTOR CASE DRAIN HOSE TO THE TRACTOR ZERO PRESSURE RETURN. DO NOT CONNECT TO THE TRACTOR SCV OR MOTOR RETURN PORTS AS FAN HYDRAULIC MOTOR FAILURE WILL OCCUR.

7100-329

ITEM	PART NO.	QTY.	DESCRIPTION
1.	GD1162	-	Tie Strap, 28"
	GD1512	-	Tie Strap, 7 1/2"
	GD2117	-	Tie Strap, 14 1/2"
	GD2984	-	Tie Strap, 34"
2.	G7100-295	-	Decal, Spring Tension Release
3.	G7100-42	4	Decal, Warning
4.	G7100-46	1	Decal, Warning
5.	G7100-47	4	Decal, Warning
6.	G7100-54	2	Decal, KINZE®, 4 3/16" x 17 3/16"
7.	G7100-302	1	Decal, Warning
8.	G7100-66	2	Decal, Warning
9.	G7100-71	2	Decal, Warning
10.	G7100-89	2	Decal, Danger
11.	G7100-90	1	Decal, Warning
12.	G7100-115	-	Decal, Warning (1 Per Granular Chemical Hopper)
13.	G7100-121	1	Decal, Transmission, R.H.
14.	G7100-124	1	Decal, Transmission, L.H.
15.	G7100-247	-	Decal, Logo, 4 3/8" x 4 1/2" (2 Per Row Unit)
	G7100-252	-	Decal, Logo, 3 1/2" x 3 5/8" (Hopper Panel Extension)
16.	G7100-153	-	Decal, Information (1 Per Seed Meter)
17.	G7100-234	1	Decal, Bolt Torque
18.	G7100-242	2	Decal, 3200
19.	GD2199	1	SMV Sign
20.	G7100-178	1	Decal, Econo-Fold®, 3/4" x 3"
21.	G7100-293	-	Decal, KINZE® 3200
22.	G7100-192	-	Decal, Point Row Clutch Rotation
23.	G7100-194	-	Decal, Optional Hydraulic Fold Selector Valve
24.	G7100-24	1	Decal, Warning
25.	G7100-214	1	Decal, Two-Speed Point Row Clutch Rate Reduction
26.	G7100-217	1	Decal, Note

(Continued)

DECALS, PAINT AND MISCELLANEOUS

ITEM	PART NO.	QTY.	DESCRIPTION
27.	GR0146MPP	-	Powdered Graphite, Twenty-Four 1 Pound Containers
28.	GR1570MPP	-	Talc Lubricant, Four 8 Pound Containers
29.	GR0155MPP	-	Blue Paint, Twelve Aerosol Cans
30.	G7100-116	1	Decal, Grease Daily
31.	G7100-110	1	Decal, Grease Weekly
32.	G7100-258	-	Reflective Decal, Red, 1 1/2" x 9", Rectangular (If Applicable)
	G7100-259	-	Reflective Decal, Amber, 1 1/2" x 9", Rectangular (If Applicable)
	G7100-260	-	Reflective Decal, Orange, 1 1/2" x 9", Rectangular (If Applicable)
33.	G7100-261	-	Reflective Decal, Red, 1 3/4" x 9", Die-Cut (If Applicable)
	G7100-262	-	Reflective Decal, Amber, 1 3/4" x 9", Die-Cut (If Applicable)
	G7100-263	-	Reflective Decal, Orange, 1 3/4" x 9", Die-Cut (If Applicable)
34.	GM0203	-	Operator & Parts Manual, Model 3200 (EdgeVac® Seed Metering)
35.	G7100-301	-	Decal, Warning
36.	G7100-311	-	Decal, EdgeVac®
37.	G7100-329	-	Tag, Fan Motor Case Drain

NUMERICAL INDEX

Part No.	Page	Part No.	Page	Part No.	Page
A1000	P71	G10016	P39	G10110	P19, P39, P43, P61, P73
A1010	P71	G10017	P23, P25, P39, P43, P48, P59, P61, P73, P83, P87	G10111	P10, P21, P23, P25, P27, P31, P43, P47, P48, P49, P51, P55, P59, P61, P81, P83
A1020	P71	G10018	P7, P9	G10112	P31, P41
A1021	P71	G10019	P41, P64, P81	G10128	P48, P49, P55, P59
A1024	P71	G10022	P75, P77	G10130	P49, P59, P61
A1055	P71	G10023	P17, P39, P43, P51, P55, P73, P88	G10131	P61
A10759	P17	G10025	P47	G10133	P10, P27, P29, P31, P63, P81
A1106	P45	G10026	P47	G10139	P43
A1168	P45	G10028	P41	G10152	P9, P39, P81, P83
A11938	P43	G10033	P27	G10157	P41
A12007	P71	G10035	P59	G10159	P47
A12008	P71	G10036	P21, P41, P49	G10168	P48, P64
A12009	P71	G10039	P23, P25, P31, P39	G10169	P41
A12010	P71	G10043	P95	G10171	P9
A12011	P35	G10045	P27, P81	G10172	P55
A12012	P35	G10046	P31, P81, P83	G10194	P29
A12013	P35	G10047	P3, P58, P61, P63, P83	G10201	P3, P17
A1414	P35	G10049	P51, P63	G10203	P3, P33, P51, P88
A3114	P71	G10053	P49, P89	G10204	P5, P7, P81, P85
A3128	P71	G10055	P49, P89	G10205	P31, P33, P49
A3130	P71	G10061	P12	G10206	P29, P83
A3136	P71	G10062	P39	G10207	P3, P89
A3176	P71	G10063	P33	G10209	P18, P19, P58, P61, P73
A3180	P45	G10064	P10, P45, P73	G10210	P3, P9, P10, P11, P12, P17, P41, P55, P58, P61, P63, P81, P83, P89, P99
A3202	P71	G10101	P4, P10, P11, P19, P33, P39, P47, P49, P51, P55, P59, P61, P73, P77, P79, P81, P87, P89, P99	G10211	P75, P77
A3395	P35	G10102	P9, P27, P31, P39, P43, P47, P59, P62, P64, P73, P81, P83, P87, P89	G10213	P5, P29, P31, P81
A3396	P35	G10103	P19, P43, P45, P51, P55, P75, P77, P88	G10215	P71
A3397	P35	G10104	P4, P11, P39, P41, P43, P47, P49, P60, P63, P81, P83, P86, P87, P91	G10216	P7, P23, P25, P47, P59, P87, P89
A4295	P65	G10105	P41, P47	G10217	P39, P41, P83
A6524	P67	G10106	P9, P25, P41, P49, P59, P63, P89	G10219	P9, P23, P59, P83, P89
A7370	P89	G10107	P9, P10, P21, P25, P31, P41, P49, P63, P81, P83, P89	G10221	P81
A7538	P65	G10108	P3, P12, P17, P33, P41, P43, P55, P63, P67, P83, P88, P95, P99	G10226	P41, P47, P61, P63
A7538	P66	G10109	P7, P9, P10, P23, P27, P29, P31, P64, P81	G10227	P19, P45, P51, P55, P58, P61, P75, P77, P88
A8048	P41			G10228	P7, P27, P39, P43, P47, P59, P62, P64, P73, P81, P83, P87, P89
A8294	P35			G10229	P4, P10, P11, P17, P19, P29, P33, P39, P47, P49, P51, P55, P58, P59, P61, P73, P77, P79, P81, P87, P89, P99
A8295	P35				
A8836	P66				
G10001	P4, P9, P10, P33, P41, P49, P59, P77, P79, P89				
G10002	P17, P83				
G10003	P3, P19, P29, P73, P89, P99				
G10004	P47, P49, P61, P87				
G10005	P31, P39				
G10006	P9, P27				
G10007	P5, P11, P31, P43				
G10008	P47				
G10009	P47				
G10010	P7, P29, P31, P85				
G10011	P31, P41, P83				
G10013	P10, P49				
G10014	P7, P31				
G10015	P9				

NUMERICAL INDEX

Part No.	Page	Part No.	Page	Part No.	Page
G10230	P4, P7, P10, P11, P39, P41, P43, P47, P60, P63, P81, P83, P86, P87, P91	G10497	P51	G10693	P95, P99
G10231	P41, P47	G10499	P33, P81	G10722	P64
G10232	P9, P41, P49, P59, P63, P81, P83, P89	G10501	P27, P48, P49, P89	G10724	P64
G10233	P48, P59, P61, P85, P88	G10503	P23, P25, P29, P31, P63, P81	G10725	P64
G10235	P43, P49, P58, P89	G10504	P81	G10732	P4
G10236	P43	G10523	P19	G10733	P91
G10243	P76, P78	G10526	P66	G10734	P91
G10253	P51	G10527	P61	G10751	P12, P49, P89
G10257	P18, P51	G10529	P20	G10752	P12
G10260	P15	G10536	P23, P25	G10757	P19, P76, P78
G10278	P87, P91	G10542	P81	G10758	P19, P76, P78
G10292	P91	G10544	P64	G10765	P29, P31, P51, P55
G10303	P9, P23, P49, P59, P89	G10546	P12, P18, P59	G10801	P9, P10
G10304	P3	G10551	P3	G10804	P51, P55
G10305	P20, P81	G10560	P63	G10809	P63
G10306	P19, P83, P88, P99	G10567	P12, P17, P18	G10827	P66
G10308	P10, P20	G10570	P18	G10844	P64
G10309	P12	G10572	P25	G10859	P51, P55
G10310	P19	G10574	P21, P27, P31	G10862	P63
G10312	P3, P17	G10580	P45	G10864	P19
G10315	P9, P10, P19	G10581	P43, P47	G10871	P83
G10318	P25	G10597	P23, P25	G10872	P55
G10323	P15	G10599	P10, P11, P33, P39, P43	G10873	P55
G10325	P5, P17, P51	G10602	P12, P15, P17, P18, P48, P60, P88	G10876	P55
G10326	P3, P39	G10603	P15	G10879	P63
G10328	P5	G10610	P47	G10880	P61
G10338	P7, P12	G10615	P91	G10887	P87
G10348	P27	G10616	P87	G10888	P87
G10370	P89	G10619	P87, P91	G10889	P86
G10371	P27	G10620	P3, P7, P12, P17, P85	G10890	P49, P89
G10374	P55	G10621	P12, P17, P20	G10900	P51
G10397	P48	G10622	P5, P20, P39, P43	G10901	P87
G10400	P31	G10623	P87	G10912	P5
G10404	P43	G10626	P87, P91	G10917	P87, P91
G10409	P48, P59, P60	G10628	P87	G10921	P18
G10412	P4, P12, P49, P89	G10629	P87, P91	G10923	P49, P59, P61
G10427	P5, P9	G10630	P87	G10924	P7
G10430	P59	G10633	P87	G10927	P77, P79
G10438	P3	G10636	P47	G10928	P77, P79
G10450	P83	G10638	P55	G10931	P77, P79
G10451	P63, P81	G10640	P7, P43, P47, P61, P63, P65, P66, P83	G10938	P81
G10452	P19	G10641	P41, P63	G10939	P67
G10457	P43	G10643	P31	G10940	P7
G10460	P47, P63	G10660	P18	G10958	P65, P66, P67
G10461	P43	G10669	P3	G10961	P85
G10462	P61	G10670	P17	G10962	P66
G10463	P9, P45, P63	G10672	P86	G10974	P29, P31
G10470	P59	G10674	P87	G10991	P83, P99
G10478	P48, P59, P60	G10676	P39, P86	G10994	P91
G10485	P87	G10681	P37, P81, P91	G10995	P91
G10496	P51, P55, P58, P61	G10686	P79	G10996	P53, P57
		G10688	P95	G11007	P3
				G11008	P3
				G11009	P15
				G11010	P31
				G11015	P3

NUMERICAL INDEX

Part No.	Page	Part No.	Page	Part No.	Page
G11058	P41	G3303-16	P3	G7100-261	P102
G11073	P18	G3305-01	P20	G7100-262	P102
G11075	P58, P61	G3310-06	P59	G7100-263	P102
G11078	P58, P61	G3310-104	P49	G7100-293	P101
G11081	P47	G3310-139	P89	G7100-295	P101
G11098	P29	G3310-66	P89	G7100-301	P102
G11100	P58, P61	G3310-68	P59	G7100-302	P101
G11124	P33	G3310-74	P49	G7100-311	P102
G11133	P33	G3310-76	P59	G7100-329	P102
G11166	P39	G3310-80	P59, P61	G7100-42	P101
G11172	P15	G3310-92	P49	G7100-46	P101
G11173	P15	G3310-92	P59	G7100-47	P101
G11188	P39	G3400-01	P59, P89	G7100-54	P101
G11204	P39	G4200-09	P87	G7100-66	P101
G11209	P19	G4201-04	P87	G7100-71	P101
G11210	P15	G4205-04	P91	G7100-89	P101
G11213	P15	G4205-11	P87	G7100-90	P101
G11214	P43	G4301-06	P91	G7566X	P11
G11215	P33	G4425-01	P87	GA0167	P64
G11228	P29	G6326X	P4	GA0243	P64
G11236	P29	G6400-06	P36, P37, P45, P68, P71	GA0245	P64
G11237	P91	G6400-08-04	P71	GA0257	P64
G1K248	P73, P75, P77, P79	G6400-08-06	P45	GA0312	P81
G1K249	P77, P79	G6400-10	P37	GA0328	P81
G1K252	P73, P75, P77, P79	G6400-12	P37	GA0810	P81
G1K253	P89	G6408-06	P37	GA0895	P47
G1K267	P53, P57, P75, P77, P79	G6408-12	P37	GA0899	P64
G1K268	P33, P53, P57, P75, P77, P79	G6500-06	P36, P37	GA10036	P85
G1K268	P53	G6500-08	P71	GA10037	P85
G1K269	P49, P59, P61	G6500-12	P37	GA10054	P51
G1K296	P7	G6801-06	P37	GA10123	P66
G1K320	P73, P77, P79	G6801-06-08	P45	GA10143	P33
G1K321	P73, P77, P79	G6801-08	P71	GA10148	P33
G1K322	P77, P79	G6801-10	P37	GA10149	P36
G1K323	P77, P79	G6801-10-12	P36	GA10155	P12
G1K345	P10	G6801-12	P36	GA10157	P3
G1K362	P75, P77, P79	G7100-110	P102	GA10570	P75
G1K363	P75, P77, P79	G7100-115	P101	GA10575	P77
G1K364	P77, P79	G7100-116	P102	GA10601	P75, P77
G1K378	P61	G7100-121	P101	GA10634	P13
G1K379	P61	G7100-124	P101	GA10635	P33
G1K380	P59	G7100-153	P101	GA10752	P33
G1K381	P59	G7100-178	P101	GA10755	P15
G1K385	P19	G7100-192	P101	GA10765	P33
G1K411	P41	G7100-194	P101	GA10799	P33
G1K426	P36	G7100-214	P101	GA11039	P79
G2100-03	P59, P89	G7100-217	P101	GA11154	P33
G2406-08-06	P45	G7100-234	P101	GA11155	P33
G2603-08	P71	G7100-24	P101	GA11156	P33
G2703-08	P71	G7100-242	P101	GA11285	P49
G306-08	P71	G7100-247	P101	GA11397	P83
G3302-07	P63	G7100-252	P101	GA11398	P83
G3302-08	P63	G7100-258	P102	GA11520	P21
G3303-108	P3, P18	G7100-259	P102	GA11592	P63
		G7100-260	P102	GA11699	P33
				GA11766	P63

NUMERICAL INDEX

Part No.	Page	Part No.	Page	Part No.	Page
GA11767	P63	GA5105	P48, P49, P59, P61	GA6966	P83
GA11911	P15	GA5106	P59, P61	GA7022	P43
GA11917	P33	GA5107	P48, P49, P61	GA7137	P51
GA11934	P37	GA5108	P59, P61	GA7144	P53, P57
GA11935	P15	GA5109	P59, P61, P88	GA7154	P48, P59, P88
GA11940	P39	GA5110	P59, P61	GA7165	P53
GA11945	P39	GA5111	P59, P61	GA7165	P57
GA11946	P39	GA5112	P59, P61	GA7212	P53
GA11947	P75, P77	GA5113	P61	GA7271	P29
GA11948	P75, P77	GA5114	P59	GA7274	P55
GA11959	P39	GA5116	P61	GA7313	P58
GA11960	P39	GA5118	P89	GA7317	P59
GA11961	P39	GA5121	P47	GA7319	P59
GA11968	P43	GA5122	P47	GA7320	P59
GA11987	P33	GA5202	P49, P88	GA7321	P59
GA12108	P83	GA5385	P73	GA7336	P58, P61
GA12109	P83	GA5552	P68	GA7376	P47
GA12133	P15	GA5572	P68	GA7409	P47
GA12143	P12	GA5600	P77, P79	GA7412	P29
GA12144	P12	GA5624	P61	GA7417	P51
GA12154	P15	GA5625	P21	GA7418	P51
GA12235	P29, P31	GA5629	P61	GA7434	P47
GA12236	P27, P29, P31	GA5651	P4	GA7445	P29
GA12256	P29	GA5654	P25, P27, P29, P31	GA7445	P31
GA12330	P99	GA5698	P15	GA7446	P27, P29, P31
GA12636	P79	GA5715	P23, P25	GA7463	P55
GA12650	P79	GA5718	P25	GA7482	P60
GA1676	P64	GA5719	P23, P25	GA7513	P43
GA1677	P64	GA5755	P41	GA7577	P57
GA1678	P64	GA5853	P64	GA7850	P75, P77, P79
GA1679	P64	GA5892	P23	GA7851	P75, P77, P79
GA1720	P4	GA6055	P43	GA7854	P75, P77, P79
GA2007	P12	GA6147	P77, P79	GA7855	P75, P77, P79
GA2012L	P5	GA6171	P7, P9, P10, P85	GA7856	P33, P53, P57, P75, P77, P79
GA2012R	P5	GA6434	P10	GA785	P75, P77, P79
GA2014	P5, P9, P25, P27, P29, P31, P81	GA6438	P69	GA7858	P77, P79
GA2054	P9	GA6527	P91	GA7859	P77, P79
GA2068	P49, P89	GA6597	P10	GA7949	P7
GA2075	P19	GA6618	P9	GA7975	P7
GA2094	P20	GA6619	P9	GA7976	P7
GA2142	P47	GA6620	P9	GA8026	P77, P79
GA2147	P47	GA6699	P73	GA8033	P43
GA2148	P47	GA6700	P73	GA8041	P49
GA2180	P48, P59, P61	GA6701	P73	GA8042	P49
GA2558	P47	GA6733	P9	GA8046	P75, P77, P79
GA2660	P87	GA6741	P19	GA8047	P73, P75, P77, P79
GA3893	P91	GA6798	P41	GA8069	P95
GA4293	P37	GA6800	P45	GA8072	P63
GA4444	P17	GA6801	P9	GA8073	P63
GA4774	P41	GA6823	P73	GA8075	P62
GA4976	P87, P91	GA6824	P73	GA8076	P63
GA4994	P41	GA6832	P27	GA8080	P81
GA4995	P41	GA6833	P27	GA8081	P81
GA5089	P49	GA6834	P27	GA8082	P87
GA5090	P49, P88	GA6838	P27	GA8084	P88
		GA6907	P19		

NUMERICAL INDEX

Part No.	Page	Part No.	Page	Part No.	Page
GA8086	P87	GA9472	P85	GB0405	P83
GA8087	P87	GA9553	P48	GD0453-02	P62
GA8088	P87	GA9554	P48	GD0453-03	P62
GA8097	P41	GA9571	P55	GD0487	P81
GA8098	P81	GA9572	P55	GD0746	P64
GA8099	P81	GA9844	P31	GD0840	P64
GA8114	P87	GA9845	P31	GD0914-20	P59, P60
GA8119	P63	GA9846	P49	GD0914-21.5	P59
GA8120	P62	GA9846	P89	GD0914-35	P60
GA8134	P47	GA9857	P77	GD0914-6.25	P59
GA8140	P4	GA9861	P31	GD0962	P81
GA8155	P87	GA9862	P31	GD10036	P4
GA8156	P87	GA9864	P31	GD10102	P51
GA8168	P89	GA9865	P31	GD10103	P51, P55
GA8312	P41	GA9870	P47	GD10104	P51
GA8318	P41	GA9877	P47	GD10120	P55
GA8322	P10	GA9910	P87	GD10123	P51, P55
GA8324	P5	GA9964	P33	GD10200	P51
GA8326	P18	GA9978	P75, P77, P79	GD10207	P66
GA8328	P33, P53, P57	GA9979	P75, P77, P79	GD1026	P3, P17, P58, P61, P83
GA8329	P33, P53, P57	GB0115	P18	GD10282	P55
GA8335	P43	GB0116	P18	GD10283	P64
GA8364	P18	GB0134	P81	GD1033	P3
GA8371	P17	GB0156	P41	GD10366	P59
GA8393	P51, P55	GB0169	P41	GD10473	P5
GA8483	P81	GB0186	P4	GD10473	P9
GA8603	P21, P31, P83	GB0218	P4, P12, P31, P49, P89	GD10510	P51, P55
GA8641	P21, P31	GB0239	P9, P10	GD10519	P29, P31
GA8685	P81	GB0254	P10	GD10525	P51
GA8760	P29	GB0258	P89	GD10526	P29
GA8839	P47	GB0265	P3	GD10528	P51, P55
GA8845	P81	GB0266	P3	GD10529	P51, P55
GA8877	P85	GB0267	P3	GD10552	P27, P29, P31
GA8911	P67	GB0268	P9, P10	GD10584	P55
GA8912	P65	GB0274	P3	GD10585	P55
GA8913	P66	GB0276	P7	GD10586	P55
GA8914	P65	GB0278	P12, P18	GD1059L	P17
GA8915	P65	GB0282	P10	GD1059R	P17
GA8916	P65	GB0283	P60	GD1060	P17
GA8917	P65	GB0285	P3	GD1061	P18
GA8931	P93	GB0287	P60	GD1063	P18
GA8983	P81, P83	GB0296	P83	GD10635	P55
GA9068	P55	GB0297	P83	GD10636	P55
GA9131	P31	GB0301	P5	GD10646	P41
GA9144	P77, P79	GB0314	P12	GD1065	P3
GA9145	P63	GB0319	P15	GD10672	P55
GA9195	P81	GB0322	P83	GD10673	P55
GA9207	P73	GB0323	P83	GD10674-02	P63
GA9209	P73	GB0328	P15	GD10674-03	P63
GA9433	P83	GB0331	P12	GD10777	P86
GA9434	P83	GB0358	P15	GD1085	P10
GA9437	P83	GB0383	P29	GD1086	P7
GA9454	P83	GB0386	P31	GD10867	P3
GA9455	P83	GB0387	P27, P29	GD10963	P19
GA9456	P83	GB0400	P83	GD10984	P19
GA9457	P83	GB0401	P29	GD10991	P7

NUMERICAL INDEX

Part No.	Page	Part No.	Page	Part No.	Page
GD10993	P3	GD11509	P11	GD14512	P51
GD11001	P3	GD11557	P83	GD14513	P51, P55
GD11017	P5	GD11558	P83	GD14529	P66
GD11045	P49, P59, P61	GD1162	P101	GD14534	P43
GD11089	P73, P75, P77, P79	GD11652	P21, P31	GD14541	P15
GD1109	P9, P10	GD11677	P21	GD14592	P15
GD11115	P63	GD11695	P47	GD14626	P39
GD11120	P51, P55	GD11700	P37, P91	GD14659	P19
GD11125	P48	GD11705	P81	GD14660	P33
GD11132	P81, P83	GD11845	P3, P5, P9	GD14674	P23, P25, P29
GD1114	P4, P60, P81, P83, P86, P87, P91	GD11950	P67	GD1512	P101
GD1114	P63	GD11953	P85	GD15386	P63
GD11157	P49, P59	GD11954	P85	GD15663	P15
GD11158	P48	GD11962	P3, P17	GD15700	P15
GD1115L	P19	GD11963-01	P88	GD15747	P12
GD1115R	P19	GD11983	P66, P75, P77, P79	GD15789	P33
GD1116	P19	GD11999	P67	GD15790	P33
GD11169	P76, P78	GD12501	P67	GD15792-19	P39
GD11170	P76, P78	GD12502	P67	GD15792-20	P39
GD11177	P45	GD12504	P66	GD15803	P33
GD1118	P19	GD12505	P65, P66	GD15804	P33
GD11213	P59	GD12507	P65	GD15849-02	P33
GD11219	P17	GD12534	P27	GD15863	P33
GD11235	P86	GD12543	P47	GD15867-03	P39
GD11239	P12, P17, P18	GD1255	P59	GD15867-06	P39
GD11240	P18	GD12616-66	P60	GD15970	P3
GD11259	P3, P5	GD12616-78	P60	GD16188	P37
GD11279	P13	GD12676	P83	GD16245	P3
GD11285	P73	GD12677	P83	GD16324-01	P33
GD11297	P18	GD12679	P83	GD16466	P39
GD11298	P43	GD12685	P83	GD1657	P81
GD11300	P43	GD12726	P53, P57	GD16598	P39
GD11305	P17	GD12817	P31	GD1673	P81
GD11306	P5, P81	GD12826	P31	GD16839	P39
GD11313	P11	GD12827	P31	GD16840	P39
GD1132	P25, P27, P29, P31, P81	GD12829	P31	GD16842	P39
GD1138	P81	GD13287	P83	GD16991	P39
GD11393-66	P61	GD13309	P85	GD16992	P39
GD11393-78	P61	GD13361	P3	GD17014	P3
GD11394-63	P61	GD13401	P47	GD17021	P15
GD11394-73	P61	GD14170	P31	GD17028	P15
GD11394-79	P61	GD14217	P4	GD17046	P43
GD11394-90	P61	GD14258	P33	GD17047	P15
GD11395	P60	GD14308	P66	GD17048	P15
GD11413	P12, P18	GD14398	P21	GD17049	P15
GD11422	P4	GD14413	P58, P61	GD17050	P15
GD11423	P7, P85	GD14414	P58, P61	GD17061-01	P43
GD11424	P17	GD14426	P58	GD17073	P39
GD1143	P20	GD14427	P61	GD17074	P39
GD1144	P20	GD14429	P58, P61	GD17099	P15
GD1145	P20	GD14430	P58, P61	GD17104	P15
GD11453	P7	GD14431	P58, P61	GD17105-01	P43
GD11474	P76, P78	GD14432	P58, P61	GD17106	P43
GD11490	P47	GD14467	P15	GD17152	P15
GD11508	P11	GD14468	P15	GD17162	P15
		GD14477	P15	GD17186	P15

NUMERICAL INDEX

Part No.	Page	Part No.	Page	Part No.	Page
GD17187	P15	GD7639	P75, P77	GR0880	P91
GD18118	P79	GD7803	P21, P31	GR0881	P91
GD18168	P79	GD7804	P21, P31	GR0882	P91
GD1862	P87	GD7805	P4, P10, P12, P25, P47, P49, P85, P89	GR0883	P91
GD2117	P101	GD7817-01	P25	GR0911	P89
GD2199	P101	GD7817-04	P25	GR0912	P49, P59, P61, P89
GD2200	P43	GD7822	P61	GR1015	P87, P91
GD2423	P19	GD7823	P25	GR1016	P87, P91
GD2460	P20	GD7889	P23, P25	GR1017	P87, P91
GD2558	P49, P58, P60, P89	GD7890	P23, P25	GR1018	P87, P91
GD2589	P81	GD7948	P43	GR1019	P87, P91
GD2597	P64	GD7972	P43	GR1032	P68
GD2697	P63	GD7976	P41	GR1033	P68
GD2721	P62	GD8218	P63	GR1034	P68
GD2734-13	P41	GD8249	P4	GR1035	P68
GD2947	P19	GD8260	P41	GR1036	P68
GD2962	P61	GD8266	P23	GR1037	P45, P68, P71
GD2971-10	P17	GD8307	P25	GR1038	P68
GD2971-11	P63	GD8460	P10	GR1039	P68
GD2984	P101	GD8751	P77, P79	GR1040	P68
GD3180-12	P9	GD8771	P77, P79	GR1041	P68
GD3180-23	P41	GD9120	P10	GR1042	P68
GD3311	P43	GD9229	P48	GR1043	P68
GD3373	P43	GD9254	P21, P31	GR1044	P68
GD3612	P3	GD9290	P9	GR1045	P36, P37, P45, P68, P71
GD3622	P86	GD9305	P9	GR1046	P68
GD3623	P86	GD9529	P53, P57	GR1047	P68
GD3951	P86	GD9530	P53, P57	GR1048	P68
GD4086	P35	GD9562	P9	GR1096	P69
GD5752	P49, P88	GD9589	P45	GR1104	P99
GD5753	P49, P88	GD9591	P45	GR1112	P99
GD5756	P89	GD9667	P51	GR1114	P95
GD5827	P88	GD9671	P51, P55	GR1116	P95, P99
GD5835	P60	GD9672	P51, P55	GR1118	P95, P99
GD5841	P47	GD9688	P43	GR1120	P99
GD5857	P27, P49, P58, P60, P76, P78, P88	GD9699	P45	GR1122	P89
GD5860	P88	GD9715	P27	GR1123	P99
GD5875	P41	GD9720	P27	GR1124	P99
GD5875	P63	GD9724	P27, P29, P31	GR1129	P97
GD5900-12	P45	GD9762	P45	GR1130	P97
GD5900-25	P59	GM0203	P102	GR1133	P97
GD6279-05	P37	GR0146MPP	P102	GR1134	P97, P99
GD6291	P77, P79	GR0150	P64	GR1142	P97
GD6551	P61	GR0151	P64	GR1144	P97
GD6825-10.375	P89	GR0155MPP	P102	GR1165	P95
GD6825-11.625	P49	GR0196	P3, P18	GR1167	P95
GD6825-12.25	P89	GR0270	P47	GR1168	P95
GD6825-12.75	P48	GR0434	P47	GR1169	P65
GD6825-14.5	P59	GR0513	P87	GR1177	P69
GD7127	P61	GR0515	P41	GR1178	P69
GD7145	P51, P55, P73, P89	GR0516	P41	GR1203	P73
GD7148	P18	GR0517	P41	GR1204	P73
GD7258	P18	GR0586	P77, P79	GR1205	P73
GD7318	P3	GR0594	P75, P77, P79	GR1206	P73
GD7426	P58, P61	GR0764	P37	GR1207	P73
				GR1208	P73

NUMERICAL INDEX

Part No.	Page	Part No.	Page	Part No.	Page
GR1303	P51, P55	GR1804	P99		
GR1304	P51, P55	GR1805	P99		
GR1305	P51, P55	GR1806	P99		
GR1306	P51, P55	GR1808	P99		
GR1389	P95, P99	R1176	P69		
GR1390	P75				
GR1391	P77				
GR1392	P75				
GR1393	P77				
GR1396	P87				
GR1397	P87				
GR1414	P76, P78				
GR1415	P76, P78				
GR1420	P95				
GR1421	P95				
GR1422	P97				
GR1423	P97				
GR1424	P95				
GR1425	P95, P97				
GR1427	P95				
GR1435	P87				
GR1446	P53				
GR1447	P53				
GR1448	P57				
GR1449	P57				
GR1451	P97				
GR1466	P37				
GR1467	P36, P37				
GR1521	P66				
GR1526	P67				
GR1527	P65, P66				
GR1528	P65				
GR1533	P93				
GR1535	P93				
GR1540	P93				
GR1541	P93				
GR1542	P93				
GR1543	P93, P99				
GR1544	P93				
GR1545	P93				
GR1570MPP	P102				
GR1631	P77				
GR1632	P77				
GR1678	P87				
GR1734	P36				
GR1736	P33				
GR1737	P75, P77, P79				
GR1761	P79				
GR1762	P79				
GR1764	P79				
GR1777	P33				
GR1795	P99				
GR1797	P99				
GR1799	P99				
GR1801	P99				
GR1802	P99				